

SOLUTIONS FOR THE OIL AND GAS INDUSTRY



Upstream – Midstream – Downstream

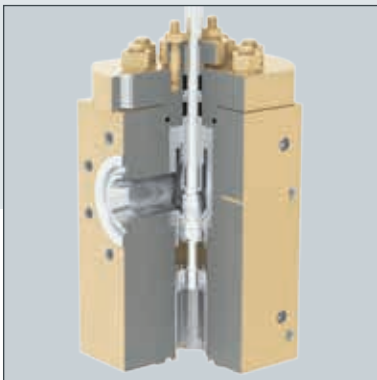
SMART IN FLOW CONTROL

UPSTREAM



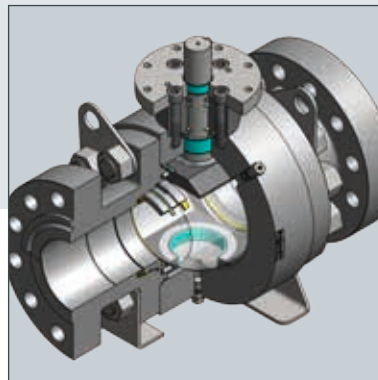
Choke Valves

- Adjustable chokes for handling high-pressure drops, sour gas, multi-phase flows, and J-T conditions
- Certified according to API 6A with quality levels from PSL 1 to PSL 4 available
- For use up to working pressures of 15,000 psi and with multi-stage trim solutions



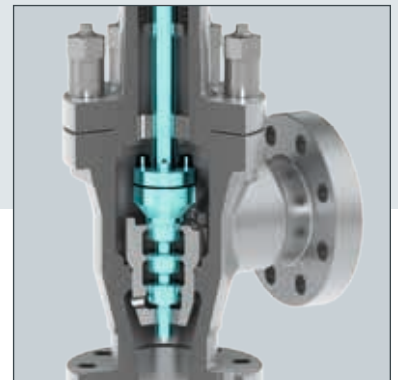
API Ball Valves

- Forged steel ball valves in carbon, stainless, duplex, and special alloys, designed in accordance with API 6A and 6D
- Soft- and metal-seated solutions from cryogenic to high temperature services
- Manual and actuated (pneumatic, hydraulic, electric, gas-over-oil, HIPPS) solutions



Control Valves

- Dirt-insensitive trim designs for critical control applications with high pressure drops
- Wide range of anti-cavitation, noise reduction, and anti-erosion trims available
- Successfully used in oil and gas processing plants, EOR processes

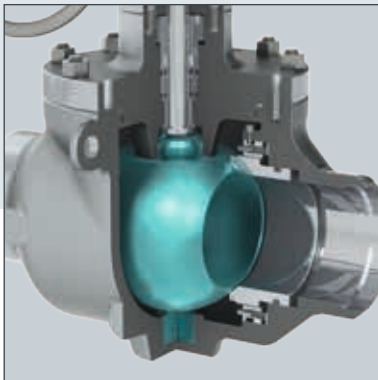


MIDSTREAM



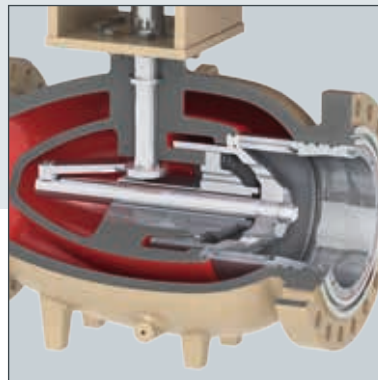
Actuated Valves

- Pneumatic, hydraulic, or gas-over-oil actuated valves providing reliable shut-off
- Fully welded valves up to NPS 60 for gas transmission lines
- Top-entry design available to facilitate simplified in-line valve maintenance



Axial Flow Valves

- Solutions for critical safety applications, such as anti-surge valves, HIPPS
- High-capacity valves with rotary-to-linear drive mechanism to reduce actuator size
- Fast response with minimal dead band compared to other commonly used designs



Cryogenic Valves

- Used in cold-box applications for natural gas liquefaction, LNG transport and regasification
- Top-entry design for easy maintenance
- Globe, butterfly, eccentric plug, and ball valve designs available for cryogenic service



DOWNSTREAM



Eccentric Plug Valves

- Double-offset design eliminates friction, reduces torque, and ensures precise control
- Unobstructed flow path when open, less flow turbulence, high turndown ratio, and less wear on the internal parts
- Perfect solution for viscous flows and flows containing solid particles, such as slurries



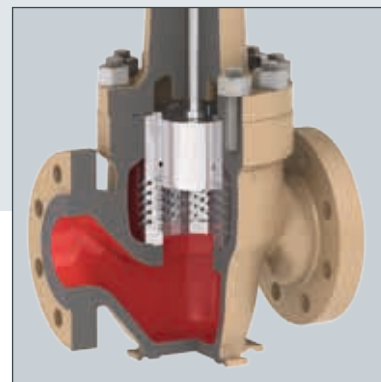
Butterfly Valves

- High-performance double- and triple-offset designs achieve tight shut-off with soft or metal seals
- Used in fast-closing applications with low-noise trims to achieve high efficiency and stability
- Well suited for high-cycle and high-temperature applications



Globe Control Valves

- Wide variety of flow control valves in sizes from NPS ½ to NPS 32
- Severe service solutions for challenging flow conditions, such as two-phase flows, flashing, and cavitation
- Metal bellows for hazardous media to prevent fugitive emissions



OIL AND GAS PRODUCTS



SAMSON

AIR TORQUE · CERA SYSTEM · KTELEKTRONIK · LEUSCH · PFEIFFER
PRECOGNIZE · RINGO · SED · STARLINE · UBIX · VDH PRODUCTS · VETEC

Valves

- Control and on/off valves used extensively in the most demanding conditions
- Suitable for extreme pressures and temperatures in severe service
- Designs include globe, ball, butterfly, and rotary plug valves

Actuators

- Solutions for pneumatic, hydraulic, and gas-over-oil applications
- Designs include scotch yoke, rack-and-pinion, and linear actuators
- Available in a wide variety of materials suitable for use in demanding applications

Smart devices

- Digital positioners for linear and rotary valves that work in extreme conditions
- Available for both HART® and FOUNDATION™ fieldbus communication
- Easy operation with state-of-the-art valve diagnostics

SAMSON AT A GLANCE

STAFF

- Worldwide 4,300
- Europe 3,300
- Asia 500
- Americas 200
- Frankfurt am Main, Germany 1,800

MARKETS

- Chemicals and petrochemicals
- Power and energy
- District heating and cooling, building automation
- General industry
- Industrial gases
- Food and beverages
- Metallurgy and mining
- Oil and gas
- Pharmaceuticals and biotechnology
- Marine equipment
- Water and wastewater
- Pulp and paper

PRODUCTS

- Valves
- Self-operated regulators
- Actuators
- Valve accessories
- Signal converters
- Controllers and automation systems
- Sensors and thermostats
- Digital solutions

SALES SITES

- More than 50 subsidiaries in over 40 countries
- More than 200 representatives

PRODUCTION SITES

- SAMSON Germany, Frankfurt, established 1916
Total plot and production area: 150,000 m²
- SAMSON France, Lyon, established 1962
Total plot and production area: 23,400 m²
- SAMSON Turkey, Istanbul established 1984
Total plot and production area: 11,053 m²
- SAMSON USA, Baytown, TX, established 1992
Total plot and production area: 9,200 m²
- SAMSON China, Beijing, established 1998
Total plot and production area: 10,138 m²
- SAMSON India, Pune district, established 1999
Total plot and production area: 18,000 m²
- SAMSON Russia, Rostov-on-Don, established 2015
Total plot and production area: 5,000 m²
- SAMSON AIR TORQUE, Bergamo, Italy
Total plot and production area: 27,684 m²
- SAMSON CERA SYSTEM, Hermsdorf, Germany
Total plot and production area: 14,700 m²
- SAMSON KT-ELEKTRONIK, Berlin, Germany
Total plot and production area: 1,060 m²
- SAMSON LEUSCH, Neuss, Germany
Total plot and production area: 18,400 m²
- SAMSON PFEIFFER, Kempen, Germany
Total plot and production area: 35,400 m²
- SAMSON RINGO, Zaragoza, Spain
Total plot and production area: 18,270 m²
- SAMSON SED, Bad Rappenau, Germany
Total plot and production area: 10,370 m²
- SAMSON STARLINE, Bergamo, Italy
Total plot and production area: 26,409 m²
- SAMSON VDH PRODUCTS, the Netherlands
- SAMSON VETEC, Speyer, Germany
Total plot and production area: 27,090 m²



SAMSON AKTIENGESELLSCHAFT
Weismuellerstrasse 3 · 60314 Frankfurt am Main, Germany
Phone: +49 69 4009-0 · Fax: +49 69 4009-1507
E-mail: samson@samson.de · Internet: www.samson.de