

T 8310-3 EN**Pneumatic Actuator 1400-60 cm²****Type 3271****Application**

Linear actuators particularly suitable for mounting on SAMSON Series 240, 250, 280, 290 and SMS Valves

Actuator area	1400-60 cm²
Rated travel	60 mm

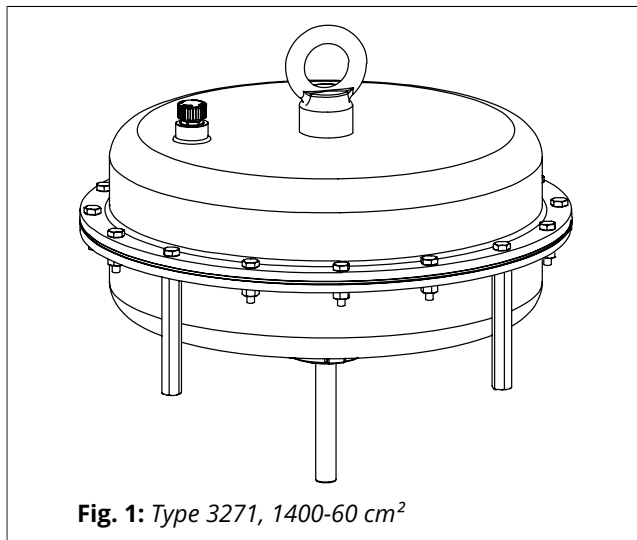


Fig. 1: Type 3271, 1400-60 cm²

Special features

The Type 3271 Pneumatic Actuator is a diaphragm actuator with a rolling diaphragm and internal springs.

- Powerful thrust at high stroking speed
- Low friction
- Various bench ranges by varying the number of springs or changing the spring compression
- No special tools required to change the bench range or reverse the direction of action (including actuator with handwheel)
- Permissible operating temperatures from -50 to +120 °C
- Female thread on the top diaphragm case to attach an eyebolt or swivel hoist

Versions

- **Type 3271 · Pneumatic actuator, 1400-60 cm² actuator area**

- With (optional) **travel stop**, minimum or maximum travel mechanically adjustable
- v1 construction with **clamped-in diaphragm** (actuator area specified in cm², no extra identification)

Further versions

- Versions for **other control media** (e.g. water) available on request
- **Type 3273 Side-mounted Handwheel** · See Data Sheet ▶ T 8312

Design and principle of operation

The actuators mainly consist of two diaphragm cases, a rolling diaphragm with diaphragm plate and internal springs. Several springs may be fitted into one another.

The signal pressure p_{st} creates the force $F = p_{st} \cdot A$ at the diaphragm surface A , which is opposed by the springs in the actuator. The bench range is determined by the number of actuator springs used and their compression, taking into account the rated travel. The travel H is proportional to the signal pressure p_{st} . The direction of action of the actuator stem depends on how the springs are installed in the actuator and the location of the signal pressure connection.

The v1 actuator construction has a clamped-in diaphragm.

The diaphragm is clamped to the diaphragm plate using a hose clamp.

The stem connector clamps connect the actuator stem with the plug stem of the valve.

The travel of the version with an adjustable travel stop can be permanently limited by up to 50 % in both directions (actuator stem extends or retracts).

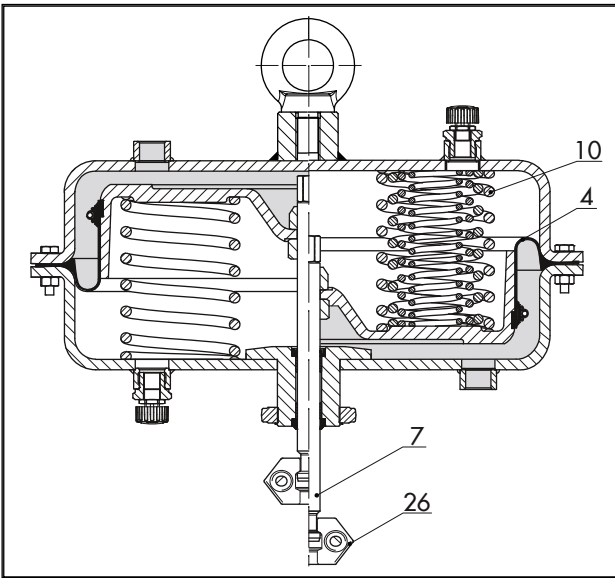


Fig. 2: Type 3271, 1400-60 cm² · “Actuator stem retracts” direction of action (left) · Additional springs and “actuator stem extends” direction of action (right)

- | | | | |
|---|---------------|----|----------------|
| 4 | Diaphragm | 10 | Springs |
| 7 | Actuator stem | 26 | Stem connector |

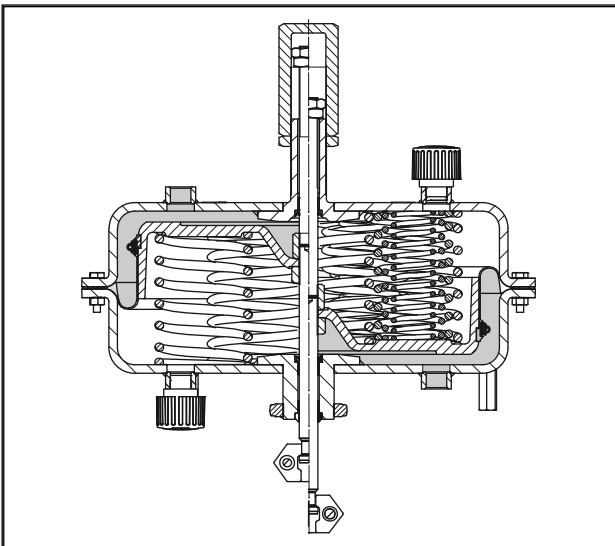


Fig. 3: 1400-60 cm² version with mechanical travel stops on both sides

Direction of action

Actuators are available with the following directions of action:

- **Actuator stem extends (FA):** The springs cause the actuator stem to move to the lower end position when the diaphragm is relieved of pressure or when the supply air fails.
- **Actuator stem retracts (FE):** The springs cause the actuator stem to retract when the diaphragm is relieved of pressure or when the supply air fails.

Throttling or on/off service

The Type 3271 Pneumatic Actuators are designed for a maximum supply pressure of 6 bar when used for throttling service.

In on/off service, the supply pressure must be limited.

With “actuator stem extends” direction of action and travel stop, the supply pressure must not exceed the upper bench range value by more than 1.5 bar at the maximum.

With “actuator stem retracts” direction of action, the supply pressure must not exceed the upper bench range value by more than 3 bar at the maximum.

Bench range	Fail-safe action	Max. supply pressure
0.2 to 1.0 bar	Actuator stem retracts (FE)	4 bar
0.4 to 2.0 bar		5 bar
0.6 to 3.0 bar		6 bar

Table 1: Technical data

Actuator area in cm ²		1400-60
Max. supply pressure		6 bar ¹⁾
Permissible ambient temperatures with diaphragm material	NBR	-35 to +90 °C ²⁾
	EPDM	-50 to +120 °C ³⁾ (with air free of oil and grease)
Degree of protection		IP54 ⁵⁾

- 1) Observe supply pressure restrictions.
- 2) In on/off service, lowest temperature restricted to -20 °C
- 3) In on/off service, lowest temperature restricted to -40 °C
- 5) The pneumatic actuators do not pose any risk in the sense of the protection requirements described in EN 60529. The IP rating depends on the connecting parts used on the pressurized side and the spring chamber side of the actuator. In this case, components (vent plugs as well as valves accessories, such as solenoid valves, positioners etc.) must be used that comply with the requirements. The maximum rating that can be achieved with the standard vent plug is IP54 (▶ AB 07). Depending on the IP rating of the valve accessories, a maximum rating of IP66 can be achieved for an actuator with air purging of the actuator spring chamber.

Table 2: Materials

Actuator area in cm ²		1400-60
Actuator stem		Stainless steel
Actuator stem sealing	NBR	
	EPDM	
Housing		Sheet steel, plastic-coated
Rolling diaphragm	NBR (nitrile butadiene rubber) Butyl with fabric reinforcement	
	EPDM with fabric reinforcement	

Table 3: Versions

Version	1400-60 cm ²
Mechanical travel stops on both sides	•
Throttling service	•
On/off service	•

Table 4: Bench ranges

Actuator area in cm ²	Rated travel in mm	Travel volume at rated travel in dm ³	Dead volume in dm ³	Max. travel in mm ¹⁾²⁾	Bench range in bar (signal pressure range at rated travel)	Add. possible spring compression in %	Operating range with spring compression in bar	Number of springs	Spring force at 0 mm travel in kN ³⁾	Spring force at rated travel in kN ³⁾	Thrust in kN ³⁾ at rated travel and supply pressure in bar of					
											1.4	2.0	3.0	4.0	5.0	6.0
1400	60	8.3	5.7	80	0.2 to 1.0	25	0.4 to 1.2	6	2.8	14	5.6	14	28	42	56	70
					0.4 to 2.0		12	5.6	28	-	-	14	28	42	56	
					0.5 to 2.5		18	7	35	-	-	7	21	35	49	
					1.1 to 2.4		18	15.4	33.6	-	-	8.4	22.4	36.4	50.4	
					1.3 to 2.8		24	18.2	39.2	-	-	2.8	16.8	30.8	44.8	

- 1) Based on lower bench range value. The zero travel is not taken into account.
- 2) Zero travel as listed in 'Dimensions' table depending on fail-safe action
- 3) The forces specified relate to the bench range.

Table 5: Dimensions in mm · Type 3271

Actuator area in cm ²		1400-60
Height	H ¹⁾	247
	H'	201
	Ha	19
	H4 _{rated} FA	165
	H4 _{max} FA	169
	H4 _{max} FE	185
	H6	54
Travel stop	H8	180
Diameter	ØD	530
	ØD2	22
Ød (thread)		M60x1.5
Connection (a optionally)	a	G ¾
		¾ NPT

1) H' and H are identical for versions on which the lifting eyelet is welded directly onto the housing. The value H' applies in this case.

2) Height of eyebolt according to DIN 580. Height of the swivel hoist may differ.

Dimensional drawings

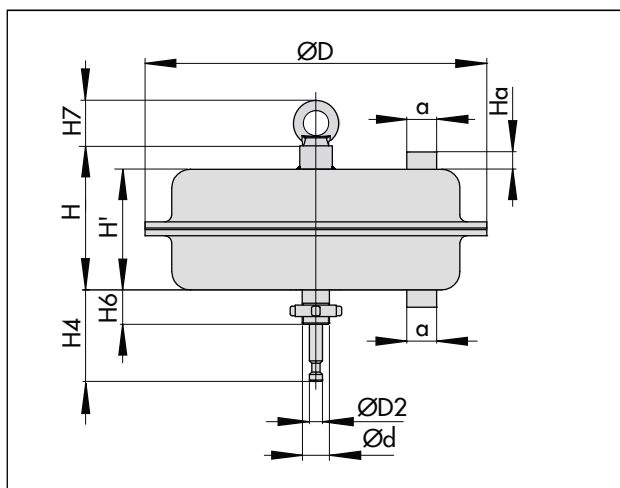


Fig. 4: Type 3271 with 1400-60 cm² actuator area

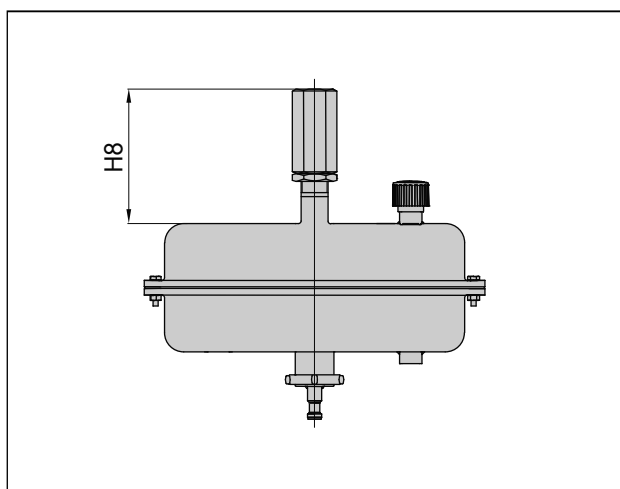


Fig. 5: 1400-60 cm² actuator area, with adjustable travel stop

Table 6: Weights in kg

Type ... Actuator ¹⁾	Actuator area in cm ²		1400-60
3271	Without handwheel	kg	70
3271	With handwheel	kg	175

¹⁾ The weights specified apply to a specific standard device configuration. Weights of other actuator configurations may differ depending on the version (material, number of actuator springs etc.).

Accessories

Swivel hoist

Large pneumatic actuators (with >355v2 cm² actuator area) have a female thread on the top diaphragm case to allow an eyebolt or swivel hoist to be screwed into it. The eyebolt can be used to vertically lift the actuator and is included in the scope of delivery. The swivel hoist is designed for setting a control valve assembly upright or for lifting the actuator without valve. The swivel hoist can be ordered (accessories).

Actuator area in cm ²	Material number	
	Eyebolt (DIN 580)	Swivel hoist
1400-60	8322-0135	8442-1018

Feedback connection (travel pick-off interface) according to DIN EN 60534-6-1

Various valve accessories according to DIN EN 60534-6-1 and NAMUR recommendation can be mounted on SAMSON control valves designed according to the modular principle (see associated valve documentation). The travel pick-off interface for these mounted devices is included in the scope of delivery of the following SAMSON actuators:

- Type 3271 with 1400-60 cm² actuator area

List of documentation for Type 3271 and Type 3277 Pneumatic Actuators

Device type	Actuator area in cm ²	Data sheet		Mounting and operating instructions
		General product line	SAM001 ¹⁾ product line	
Types 3271 and 3277 Pneumatic Actuators	120	▶ T 8310-1/4/5/6	▶ T 8310-11/14/15/16	▶ EB 8310-1
	350			▶ EB 8310-6
	175v2 · 350v2 · 750v2			▶ EB 8310-5
	355v2			▶ EB 8310-4
Type 3271 Pneumatic Actuator	1000 · 1250v2	▶ T 8310-2/7	▶ T 8310-12	▶ EB 8310-2
	1400-120 · 2800 · 2x 2800		-	▶ EB 8310-7
	1400-60	▶ T 8310-3	▶ T 8310-13	▶ EB 8310-3
	1400-250	▶ T 8310-8	-	▶ EB 8310-8

¹⁾ The customer standard SAM001 indicates SAMSON devices that comply with the NAMUR Recommendation NE 53. After subscribing to ▶ NE53 newsletter, users of these devices automatically receive information on any hardware or software changes. Separate data sheets have been created for Type 3271 and Type 3277 Pneumatic Actuators that comply with the SAM001 standard.

Information Sheet for control valves ▶ T 8000-1

Ordering text

Type ... Actuator 3271
 Actuator area ... cm²
 Travel ... mm
 Optional Travel stop
 Bench range ... bar
 Direction of action Actuator stem extends (FA)
 Actuator stem retracts (FE)
 Signal pressure connection G .../... NPT
 Housing material See Table 2
 Rolling diaphragm NBR
 EPDM