

# MOUNTING AND OPERATING INSTRUCTIONS



## EB 8484-1 EN

Translation of original instructions



## TROVIS 3730-1 Electropneumatic Positioner

Firmware version 3.00.xx



Edition July 2023

## Note on these mounting and operating instructions

These mounting and operating instructions assist you in mounting and operating the device safely. The instructions are binding for handling SAMSON devices. The images shown in these instructions are for illustration purposes only. The actual product may vary.

- For the safe and proper use of these instructions, read them carefully and keep them for later reference.
- If you have any questions about these instructions, contact SAMSON's After-sales Service (aftersaleservice@samsongroup.com).



Documents relating to the device, such as the mounting and operating instructions, are available on our website at [www.samsongroup.com](http://www.samsongroup.com) > **Downloads > Documentation.**

These mounting and operating instructions are valid for firmware versions 3.00.00 to 3.00.99. A detailed list of revisions is included in the 'Markings on the device' chapter.

### Definition of signal words

#### **DANGER**

*Hazardous situations which, if not avoided, will result in death or serious injury*

#### **WARNING**

*Hazardous situations which, if not avoided, could result in death or serious injury*

#### **NOTICE**

*Property damage message or malfunction*

#### **Note**

*Additional information*

#### **Tip**

*Recommended action*

<b>1</b>	<b>Safety instructions and measures .....</b>	<b>1-1</b>
1.1	Notes on possible severe personal injury .....	1-3
1.2	Notes on possible personal injury .....	1-4
1.3	Notes on possible property damage .....	1-4
1.4	Special instructions concerning explosion protection .....	1-5
1.5	Warnings on the device.....	1-7
<b>2</b>	<b>Markings on the device .....</b>	<b>2-1</b>
2.1	Nameplate .....	2-1
2.2	Options.....	2-1
2.3	Article code .....	2-2
<b>3</b>	<b>Design and principle of operation .....</b>	<b>3-1</b>
3.1	Additional equipment.....	3-1
3.1.1	Options.....	3-1
3.2	Mounting versions.....	3-3
3.3	Configuration using the TROVIS-VIEW software .....	3-4
3.4	Technical data .....	3-5
3.5	Dimensions in mm.....	3-11
3.1	Fixing levels according to VDI/VDE 3845 (September 2010) .....	3-15
<b>4</b>	<b>Shipment and on-site transport .....</b>	<b>4-1</b>
4.1	Accepting the delivered goods .....	4-1
4.2	Removing the packaging from the positioner .....	4-1
4.3	Transporting the positioner.....	4-1
4.4	Storing the positioner .....	4-1
<b>5</b>	<b>Installation .....</b>	<b>5-1</b>
5.1	Installation conditions .....	5-1
5.2	Preparation for installation.....	5-2
5.3	Turning the positioner shaft .....	5-2
5.4	Adjusting the lever and pin position.....	5-2
5.4.1	Travel tables .....	5-4
5.5	Installing a volume restriction .....	5-5
5.6	Positioner attachment .....	5-6
5.6.1	Direct attachment .....	5-6
5.6.2	Attachment according to IEC 60534-6.....	5-8
5.6.3	Attachment to Type 3510 Micro-flow Valve .....	5-12
5.6.4	Attachment according to VDI/VDE 3847-1 .....	5-12
5.6.5	Attachment according to VDI/VDE 3847-2 .....	5-19
5.6.6	Attachment according to VDI/VDE 3845 .....	5-26

## Contents

5.6.7	Reversing amplifier for double-acting actuators .....	5-30
5.6.8	Attaching positioners with stainless steel housings .....	5-30
5.6.9	Air purging function for single-acting actuators .....	5-31
5.7	Pneumatic connections .....	5-32
5.7.1	Supply air .....	5-33
5.7.2	Signal pressure connection .....	5-33
5.7.3	Signal pressure reading .....	5-33
5.7.4	Supply pressure .....	5-34
5.8	Electrical connections .....	5-34
5.8.1	Cable entry with cable gland .....	5-35
5.8.2	Electrical power .....	5-35
5.8.3	Switching amplifier according to EN 60947-5-6 .....	5-36
5.9	Accessories .....	5-39
<b>6</b>	<b>Operation .....</b>	<b>6-1</b>
6.1	Rotary pushbutton .....	6-1
6.2	Display .....	6-2
<b>7</b>	<b>Start-up and configuration .....</b>	<b>7-1</b>
7.1	Enabling configuration to change parameters .....	7-3
7.2	Saving parameters in a non-volatile memory .....	7-3
7.3	Entering the fail-safe position .....	7-3
7.4	Initializing the positioner .....	7-4
7.5	Other possible settings .....	7-6
7.5.1	Entering the pin position .....	7-6
7.5.2	Setting the nominal range .....	7-6
7.5.3	Selecting the characteristic .....	7-7
7.5.4	Entering the direction of action .....	7-8
7.5.5	Limiting the signal pressure .....	7-9
7.6	Adjusting the switching points of the optional limit contacts .....	7-9
7.6.1	Adjusting the CLOSED position .....	7-10
7.6.2	Adjusting the OPEN position .....	7-10
<b>8</b>	<b>Operation .....</b>	<b>8-1</b>
8.1	Changing the reading direction of the display .....	8-1
8.2	Changing operating mode .....	8-2
8.2.1	Closed-loop operation (automatic mode) .....	8-2
8.2.2	Manual mode .....	8-2
8.3	Performing zero calibration .....	8-3
8.4	Resetting the positioner (reset) .....	8-4
8.5	Restarting the positioner (boot) .....	8-4



<b>9</b>	<b>Malfunctions</b> .....	<b>9-1</b>
9.1	Troubleshooting .....	9-2
9.1.1	Clearing error codes .....	9-5
9.2	Emergency action .....	9-6
<b>10</b>	<b>Servicing</b> .....	<b>10-1</b>
10.1	Cleaning the cover window.....	10-1
10.2	Firmware updates .....	10-2
10.3	Periodic inspection and testing of the positioner.....	10-2
<b>11</b>	<b>Decommissioning</b> .....	<b>11-1</b>
<b>12</b>	<b>Removal</b> .....	<b>12-1</b>
<b>13</b>	<b>Repairs</b> .....	<b>13-1</b>
13.1	Servicing explosion-protected devices.....	13-1
13.2	Returning devices to SAMSON .....	13-1
<b>14</b>	<b>Disposal</b> .....	<b>14-1</b>
<b>15</b>	<b>Certificates</b> .....	<b>15-1</b>
<b>16</b>	<b>Appendix A (configuration instructions)</b> .....	<b>16-1</b>
16.1	Code list.....	16-1
16.2	Valve characteristic selection.....	16-6
<b>17</b>	<b>Appendix B</b> .....	<b>17-1</b>
17.1	After-sales service .....	17-1



# 1 Safety instructions and measures

## Intended use

The SAMSON TROVIS 3730-1 Positioner is mounted on pneumatic control valves and used to assign the valve position to the control signal. The device is designed to operate under exactly defined conditions (e.g. operating pressure, temperature). Therefore, operators must ensure that the positioner is only used in applications where the operating conditions correspond to the technical data. In case operators intend to use the positioner in applications or conditions other than those specified, contact SAMSON.

SAMSON does not assume any liability for damage resulting from the failure to use the device for its intended purpose or for damage caused by external forces or any other external factors.

➔ Refer to the technical data for limits and fields of application as well as possible uses.

## Reasonably foreseeable misuse

The TROVIS 3730-1 Positioner is **not** suitable for the following applications:

- Use outside the limits defined during sizing and by the technical data

Furthermore, the following activities do not comply with the intended use:

- Use of non-original spare parts
- Performing maintenance activities not described in these instructions

## Qualifications of operating personnel

The positioner must be mounted, started up and serviced by fully trained and qualified personnel only; the accepted industry codes and practices must be observed. According to these mounting and operating instructions, trained personnel refers to individuals who are able to judge the work they are assigned to and recognize possible hazards due to their specialized training, their knowledge and experience as well as their knowledge of the applicable standards.

Explosion-protected versions of this device must be operated only by personnel who has undergone special training or instructions or who is authorized to work on explosion-protected devices in hazardous areas.

## **Safety instructions and measures**

### **Personal protective equipment**

No personal protective equipment is required for the direct handling of the positioner. Work on the control valve may be necessary when mounting or removing the device.

- ➔ Observe the requirements for personal protective equipment specified in the valve documentation.
- ➔ Check with the plant operator for details on further protective equipment.

### **Revisions and other modifications**

Revisions, conversions or other modifications of the product are not authorized by SAMSON. They are performed at the user's own risk and may lead to safety hazards, for example. Furthermore, the product may no longer meet the requirements for its intended use.

### **Safety features**

Upon failure of the air supply or electric signal, the positioner vents the actuator, causing the valve to move to the fail-safe position determined by the actuator.

### **Warning against residual hazards**

The positioner has direct influence on the control valve. To avoid personal injury or property damage, plant operators and operating personnel must prevent hazards that could be caused in the control valve by the process medium, the operating pressure, the signal pressure or by moving parts by taking appropriate precautions. Plant operators and operating personnel must observe all hazard statements, warnings and caution notes in these mounting and operating instructions, especially for installation, start-up and service work.

If inadmissible motions or forces are produced in the pneumatic actuator as a result of the supply pressure, it must be restricted using a suitable supply pressure reducing station.

### **Responsibilities of the operator**

Operators are responsible for proper use and compliance with the safety regulations. Operators are obliged to provide these mounting and operating instructions to the operating personnel and to instruct them in proper operation. Furthermore, operators must ensure that operating personnel or third parties are not exposed to any danger.

### **Responsibilities of operating personnel**

Operating personnel must read and understand these mounting and operating instructions as well as the specified hazard statements, warnings and caution notes. Furthermore, the operating personnel must be familiar with the applicable health, safety and accident prevention regulations and comply with them.

### Referenced standards, directives and regulations

Devices with a CE marking fulfill the following requirements of the Directives:

- TROVIS 3730-1: 2011/65/EU, 2014/30/EU
- TROVIS 3730-1-110/-510/-810/-850: 2011/65/EU, 2014/30/EU, 2014/34/EU

Devices with an EAC marking fulfill the requirements of the following Regulations:

- TROVIS 3730-1: TR CU 020/2011 and TR CU 012/2011 with the applicable GOST standards:
  - GOCT 31610.0-2014 (IEC 60079-0:2011)
  - GOCT 31610.11-2014 (IEC 60079-11:2011)
- TROVIS 3730-1-110/-510/-810/-850: TR CU 020/2011

See Appendix for declarations of conformity and EAC certificates.

### Referenced documentation

The following documents apply in addition to these mounting and operating instructions:

- The mounting and operating instructions of the components on which the positioner is mounted (valve, actuator, valve accessories etc.).

## 1.1 Notes on possible severe personal injury

### DANGER

#### **Risk of fatal injury due to the ignition of an explosive atmosphere.**

Incorrect installation, operation or maintenance of the positioner in potentially explosive atmospheres may lead to ignition of the atmosphere and ultimately to death.

- ➔ The following regulations apply to installation in hazardous areas: EN 60079-14 (VDE 0165, Part 1).
- ➔ Installation, operation or maintenance of the positioner must only be performed by personnel who has undergone special training or instructions or who is authorized to work on explosion-protected devices in hazardous areas.

## 1.2 Notes on possible personal injury

### WARNING

#### **Risk of personal injury due to moving parts on the valve.**

During initialization of the positioner and during operation, the valve moves through its entire travel range. Injury to hands or fingers is possible if they are inserted into the valve.

- During initialization, do not insert hands or fingers into the valve yoke and do not touch any moving valve parts.

#### **Sudden loud noise when the pneumatic actuator vents.**

The positioner mounted on the control valve can cause the pneumatic actuator to vent. A loud noise may occur during venting. This can cause hearing damage.

- Wear hearing protection when working near the valve.

## 1.3 Notes on possible property damage

### NOTICE

#### **Risk of damage to the positioner due to incorrect mounting position.**

- Do not mount the positioner with the back of the device facing upward.
- Do not seal or restrict the vent opening when the device is installed on site.

#### **An incorrect electric signal will damage the positioner.**

A current source must be used to power the positioner.

- Only use a current source and never a voltage source.

**Incorrect assignment of the terminals will damage the positioner and will lead to malfunction.**

For the positioner to function properly, the prescribed terminal assignment must be observed.

- Connect the electrical wiring to the positioner according to the prescribed terminal assignment.

**Malfunction due to initialization not yet completed.**

The initialization causes the positioner to be calibrated to adapt it to the mounting situation. After initialization is completed, the positioner is ready for use.

- Initialize the positioner on first start-up.
- Re-initialize positioner after changing the mounting position.

**Risk of positioner damage due to incorrect grounding of the electric welding equipment.**

- Do not ground electric welding equipment near to the positioner.

## 1.4 Special instructions concerning explosion protection

If a part of the device on which the explosion protection is based needs to be serviced, the device must not be put back into operation until a qualified inspector has assessed it according to explosion protection requirements, has issued an inspection certificate, or given the device a mark of conformity. Inspection by a qualified inspector is not required if the manufacturer performs a routine test on the device before putting it back into operation and the passing of the routine test is documented by attaching a mark of conformity to the device. Replace explosion-protected components only with original, routine-tested components by the manufacturer.

Devices that have already been operated outside hazardous areas and are intended for future use inside hazardous areas must comply with the safety requirements placed on serviced devices. Before being operated inside hazardous areas, test the devices according to the specifications for servicing explosion-protected devices.

## Safety instructions and measures

### Maintenance, calibration and work on equipment

- Only use intrinsically safe current/voltage calibrators and measuring instruments for interconnection with intrinsically safe circuits to check or calibrate the equipment inside or outside hazardous areas.
- Observe the maximum permissible values specified in the certificates for intrinsically safe circuits.

### Equipment with type of protection Ex nA


- In equipment operated with type of protection Ex nA (non-sparking equipment), only connect, isolate or switch circuits while energized during installation, maintenance or repair.
- Use certified cable glands and blanking plugs with appropriate type of protection and IP rating  $\geq 6X$  and suitable for the certified temperature range.
- Connect the signal circuit using screw terminals (terminal 11/12) for electrical conductors with a wire cross-section from 0.2 to 2.5 mm<sup>2</sup>. The tightening torque is 0.5 to 0.6 Nm.

### Equipment with type of protection Ex t

- In equipment operated with type of protection Ex t (protection by enclosure), only connect, isolate or switch circuits while energized during installation, maintenance or repair.
- While working on the device during operation in potentially explosive dust atmospheres, be aware that opening the housing cover may cause the explosion protection to become ineffective.
- Use certified cable glands and blanking plugs with appropriate type of protection and IP rating  $\geq 6X$  and suitable for the certified temperature range.
- To connect the signal circuit, use screw terminals (terminal 11/12) for electrical conductors with a wire cross-section from 0.2 to 2.5 mm<sup>2</sup>. The tightening torque is 0.5 to 0.6 Nm.



## 1.5 Warnings on the device




Warning symbols	Meaning of the warning
	<p>Warning against sudden loud noise                      The positioner mounted on the control valve can cause the pneumatic actuator to vent. A loud noise may occur during venting. This can cause hearing damage.</p>



## 2 Markings on the device

### 2.1 Nameplate

The nameplates shown were up to date at the time of publication of this document. The nameplate on the device may differ from the one shown.

Explosion-protected version	Version without explosion protection
<p><b>SAMSON TROVIS 3730-1</b> 13</p> <p>Positioner                      Supply max. 1                      Input 3                      2</p> <p></p> <p> * See EU Type Exam.                      Certificate for further values  <math>-40\text{ °C} \leq T_a^* \leq +55\text{ °C}</math></p> <p>SAM 7 HV 8 SV 9 Date 6                      Mat. 10 S/N 11                      Model 3730-1-12                      SAMSON AG D-60314 Frankfurt Made in Germany</p>	<p><b>SAMSON TROVIS 3730-1</b> 13</p> <p>Positioner                      Supply max. 1                      Input 3</p> <p> See technical data for                      ambient temperature</p> <p>SAM 7 HV 8                      FV 9                      Mat. 10 Date 6                      S/N 11                      Model 3730-1-12                      SAMSON AG D-60314 Frankfurt Made in Germany</p>
<p>1 Supply pressure                      2 Explosion protection marking                      3 Input signal                      6 Year of manufacture                      7 Code for NAMUR Recommendation                      NE 53 (internal specification)</p>	<p>8 Hardware version                      9 Firmware/software version                      10 Material number                      11 Serial number                      12 Article code                      13 Conformity</p>

### 2.2 Options

If option modules are installed in the TROVIS 3730-1 Positioner, a label to identify the module is affixed to the device:

<p>SAMSON TROVIS 3730-1 Option module                      1</p>	<p>1 Option's function</p>
--	----------------------------

## Markings on the device

### 2.3 Article code

Positioner		TROVIS 3730-1- x x x 0 x x 0 x x x x x 1 0 x 9 9 9 8
With LCD and autotune		
Explosion protection		
Without		0 0 0
<b>ATEX</b>	II 2 G Ex ia IIC T4/T6 Gb II 2 D Ex ia IIIC T 85 °C Db	1 1 0
<b>ATEX</b>	II 2 D Ex tb IIIC T 85 °C Db	5 1 0
<b>ATEX</b>	II 3 G Ex nA IIC T4/T6 Gc II 2 D Ex tb IIIC T 85 °C Db	8 1 0
<b>ATEX</b>	II 3 G Ex nA IIC T4/T6 Gc	8 5 0
<b>IECEX</b>	Ex ia IIC T4/T6 Gb Ex ia IIIC T85°C Db	1 1 1
<b>IECEX</b>	Ex tb IIIC T85°C Db	5 1 1
<b>IECEX</b>	Ex nA IIC T4/T6 Gc Ex tb IIIC T85°C Db	8 1 1
<b>IECEX</b>	Ex nA IIC T4/T6 Gc	8 5 1
<b>CCC Ex</b>	Ex ia IIC T4/T6 Gb Ex ia IIIC T85 °C Db	1 1 2
<b>CCC Ex</b>	Ex tb IIIC T85 °C Db	5 1 2
<b>EAC</b>	1Ex ia IIC T6...T4 Gb X Ex ia IIIC T85 °C Db X	1 1 3
<b>FM</b>	IS Cl. I, II, III, Div. 1, Gr. A-G; T* Ta*; IS Ex ia IIC T* Gb; NI Cl. I, II, III Div. 2, Gr. A-G; T* Ta*; Type 4X; IP66	1 3 0
<b>FM</b>	IS Cl. I, II, III, Div. 1, Gr. A-G; T* Ta* Type 4X NI Cl. I, II, III, Div. 2, Gr. A-G; T* Ta*Type 4X; Cl. I, Zone 1, AEx ia IIC; Type 4X	1 3 0
<b>INMETRO</b>	Ex ia IIC T4/T6 Gb Ex ia IIIC T85°C Db	1 1 5
<b>INMETRO</b>	Ex tb IIIC T85°C Db	5 1 5
<b>INMETRO</b>	Ex ec IIC T4/T6 Gc Ex tb IIIC T85°C Db	8 1 5
<b>INMETRO</b>	Ex ec IIC T6 Gc	8 5 5
<b>JIS</b>	Ex ia IIC T6 Gb	1 7 0
<b>KCS Korea</b>	Ex ia IIC T6/T4	1 1 4
<b>NEPSI</b>	Ex ia IIC T4/T6 Gb Ex ia IIIC T85°C Db	1 1 2
<b>NEPSI</b>	Ex tb IIIC T85°C Db	5 1 2

Positioner	TROVIS 3730-1-x x x 0 x x 0 x x x x x 1 0 x 9 9 9 8																					
<b>TR CMU 1055</b> II 2G Ex ia IIC T4/T6 Gb II 2D Ex ia IIIC T85 °C Db	1	1	6																			
<b>TR CMU 1055</b> II 2D Ex tb IIIC T85 °C Db	5	1	6																			
<b>TR CMU 1055</b> II 3G Ex nA IIC T4/T6 Gc II 2D Ex tb IIIC T85 °C Db	8	1	6																			
<b>TR CMU 1055</b> II 3G Ex nA IIC T4/T6 Gc	8	5	6																			
<b>Option 1</b>																						
Without																						
Position transmitter 4 to 20 mA																						
<b>Option 2</b>																						
Without																						
2x software limit switches (PLC)	0	0	0																			
2x software limit switches (NAMUR) <sup>1)</sup>	x	x	x																			
2x inductive limit switches (NAMUR)																						
<b>Electrical connection</b>																						
2x M20x1.5 (1x cable gland, 1x blanking plug)																						
<b>Housing material</b>																						
Aluminum EN AC-44300DF (standard)																						
Stainless steel 1.4408																						
<b>Cover</b>																						
With round window																						
Without window																						
<b>Housing version</b>																						
Standard																						
With additional vent hole and VDI/VDE 3847 adapter; without travel pick-off parts																						
With additional vent hole																						
<b>Additional certification</b>																						
SIL																						
<b>Permissible ambient temperature</b>																						
Standard: -20 to +85 °C																						
-40 to +85 °C metal cable gland																						
-55 to +85 °C, low-temperature version with metal cable gland																						

<b>Positioner</b>	<b>TROVIS 3730-1- x x x 0 x x 0 x x x x x 1 0 x 9 9 9 8</b>			
Hardware version				
1.00.00		9	9	
Firmware version				
3.00.04			9	8

1) Only for versions with explosion protection

### 3 Design and principle of operation

→ See Fig. 3-1

The TROVIS 3730-1 Electropneumatic Positioner is mounted on pneumatic control valves and used to assign the valve position (controlled variable  $x$ ) to the control signal (set point  $w$ ). The positioner compares the electric control signal of a control system to the travel or opening angle of the control valve and issues a signal pressure for the pneumatic actuator.

The positioner mainly consists of a non-contact travel sensor system (2), pneumatics and the electronics with the microcontroller (4). The valve position is transmitted either as an angle of rotation or linear travel to the pick-up lever, from there to the travel sensor (2) and forwarded to the microcontroller (4). The PID algorithm in the microcontroller compares the valve position measured by the travel sensor (2) to the 4 to 20 mA DC control signal issued by the control system after it has been converted by the A/D converter (3).

In case of a set point deviation, the activation of the i/p module (7) is changed so that the actuator of the control valve (1) is pressurized or vented accordingly over the downstream booster (6). As a result, the closure member of the valve (e.g. plug) is moved to the position determined by the set point.

The positioner is operated by a rotary push-button (9) for menu navigation on the display (11).

### 3.1 Additional equipment

#### Volume restriction

The volume restriction  $Q$  serves to adapt the air output capacity to the size of the actuator.

The volume restriction is a screw restriction which is screwed into the signal pressure output of the positioner (or output of the pressure gauge bracket or connecting plate).

→ We recommend using a volume restriction

- For linear actuators with a transit time  $< 1$  s (e.g. with an actuator area smaller than  $240 \text{ cm}^2$ ),
- For rotary actuators with a volume of less than  $300 \text{ cm}^3$ .

→ Actuators with a transit time  $\geq 1$  s do not require the air flow rate to be restricted.

#### 3.1.1 Options

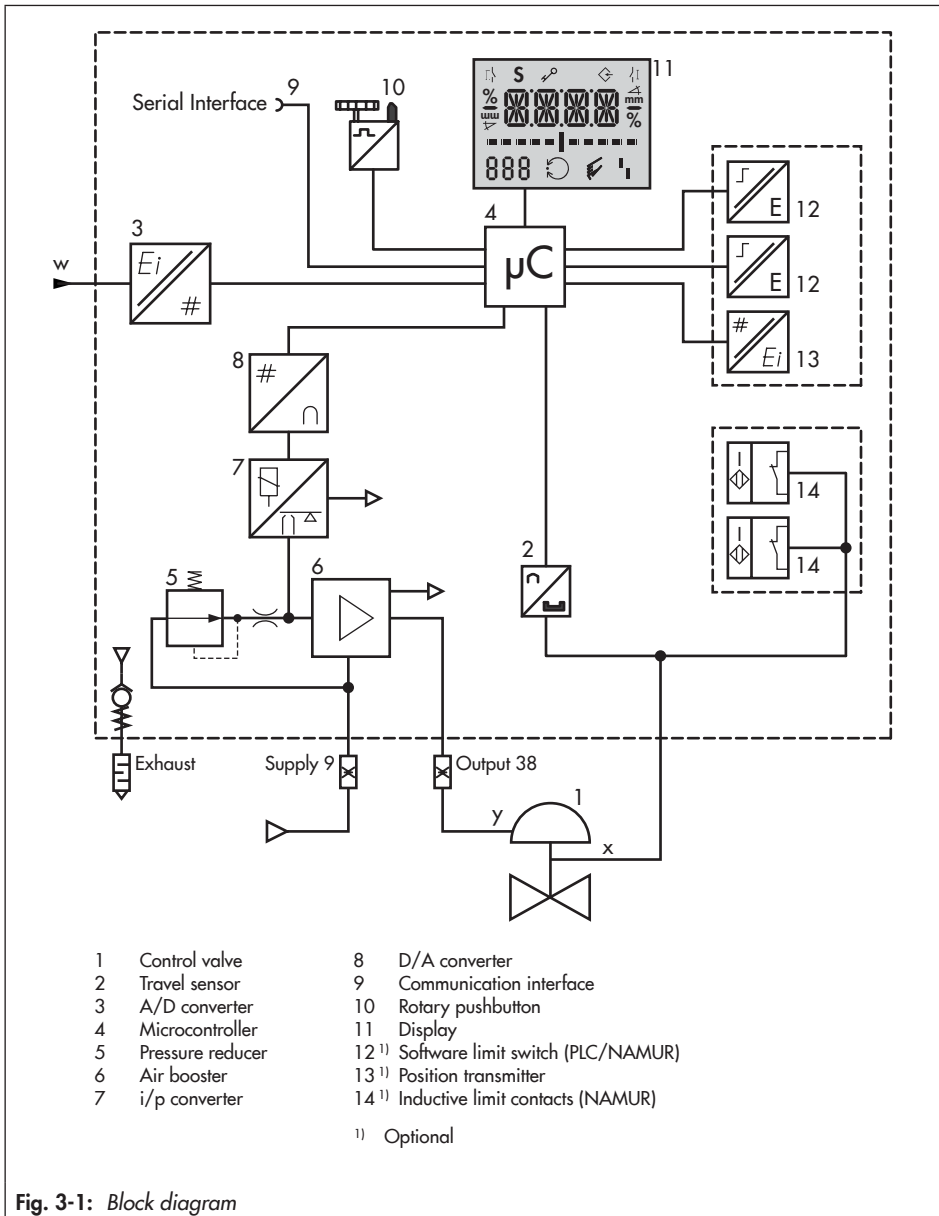
The optional additional functions of the TROVIS 3730-1 Positioner allows it to be adapted to specific requirements.

#### Inductive limit switches

Limit contacts with mechanical position pick-up issue a signal to a control system when the valve reaches one of the two adjustable limits.

Inductive proximity switches are operated by adjustable tags. For operation of the inductive limit contacts, switching amplifiers must be connected in the output circuit.

## Design and principle of operation





### Software limit switches

The software limit switches signalize that the valve has reached one of the two adjustable limits.

- When limit 1 is not reached
- When limit 2 is exceeded

The following versions are available:

- Connection of a PLC according to IEC 61131-2,  $P_{\max} = 400 \text{ mW}$
- Connection to NAMUR switching amplifier acc. to EN 60947-5-6

### Position transmitter

The position transmitter is a two-wire transmitter and issues the travel sensor signal (4 to 20 mA) processed by the microcontroller. This signal is issued independent of the positioner's input signal. Additionally, the position transmitter allows positioner faults to be indicated over a signal current of 2.4 mA or 21.6 mA.

## 3.2 Mounting versions

The TROVIS 3730-1 Positioner is suitable for the following types of attachment using the corresponding accessories (see the 'Installation' chapter):

- **Direct attachment to Type 3277 Actuator**  
The positioner is mounted on the yoke. The signal pressure is connected to the actuator over a connection block: internally over a hole in the valve yoke for "actuator stem extends" fail-safe action and through an external signal pressure line for "actuator stem retracts" fail-safe action.
- **Attachment to actuators according to IEC 60534-6:**  
The positioner is mounted to the control valve using a NAMUR bracket.
- **Attachment according to VDI/VDE 3847-1/-2:**  
Attachment according to VDI/VDE 3847-1/-2 using the corresponding accessories allows the positioner to be replaced quickly while the process is running.
- **Attachment to Type 3510 Micro-flow Valve**  
The positioner is attached to the valve yoke using a bracket.
- **Attachment to rotary actuators according to VDI/VDE 3845:**  
The positioner is mounted to the rotary actuator using the corresponding accessories.

### 3.3 Configuration using the TROVIS-VIEW software

The positioner can be configured with SAMSON's TROVIS-VIEW Software (version 4). For this purpose, the positioner has a digital interface (**SSP**) to allow the USB port of a computer to be connected to it using an adapter cable.

The TROVIS-VIEW software enables the user to easily configure the positioner as well as view process parameters online.

---

#### **i** Note

*TROVIS-VIEW provides a uniform user interface that allows users to configure and parameterize various SAMSON devices using device-specific database modules. The 3730-1 device module can be downloaded free of charge from our website at*

▶ [www.samsongroup.com](http://www.samsongroup.com) > SERVICE > Downloads > TROVIS-VIEW.

*Further information on TROVIS-VIEW (e.g. system requirements) is available on our website and in the Data Sheet ▶ T 6661 .*

---

### 3.4 Technical data

**Table 3-1:** TROVIS 3730-1 Electropneumatic Positioner

Travel	
Adjustable travel for	Direct attachment to Type 3277: 3.5 to 30 mm Attachment according to IEC 60534-6 (NAMUR): 3.5 to 300 mm Attachment according to VDI/VDE 3847: 3.5 to 300 mm Attachment to rotary actuators: 24 to 100°
Travel range	Adjustable within the initialized travel/angle of rotation of the valve; travel can be restricted to 1/5 at the maximum.
Set point w	
Signal range	4 to 20 mA · Two-wire device, reverse polarity protection Split-range operation: 4 to 11.9 mA and 12.1 to 20 mA
Static destruction limit	±33 V
Minimum current	3.6 mA for display · 3.8 mA for operation
Load impedance	No explosion protection: ≤6.6 V (corresponding to 330 Ω at 20 mA) Explosion protection: ≤7.3 V (corresponding to 365 Ω at 20 mA)
Supply air	
Supply air	1.4 to 7 bar (20 to 105 psi)
Air quality acc. to ISO 8573-1	Max. particle size and density: Class 4 Oil content: Class 3 Pressure dew point: Class 3 or at least 10 K below the lowest ambient temperature to be expected
Signal pressure (output)	0 bar up to the supply pressure · Can be limited to 2.4 bar ±0.2 bar by software
Hysteresis	≤0.3 %
Sensitivity	≤0.1 %
Characteristic	Linear/equal percentage/reverse equal percentage/SAMSON butterfly valve/VETEC rotary plug valve/segmented ball valve
Direction of action	Reversible
Air consumption, steady state	Independent of supply air, approx. 65 I <sub>n</sub> /h
Air output capacity (when Δp = 6 bar)	
Actuator (supply)	8.5 m <sub>n</sub> <sup>3</sup> /h · At Δp = 1.4 bar: 3.0 m <sub>n</sub> <sup>3</sup> /h · K <sub>Vmax(20 °C)</sub> = 0.09
Actuator (exhaust)	14.0 m <sub>n</sub> <sup>3</sup> /h · At Δp = 1.4 bar: 4.5 m <sub>n</sub> <sup>3</sup> /h · K <sub>Vmax(20 °C)</sub> = 0.15

## Design and principle of operation

<b>Environmental conditions and permissible temperatures</b>	
Permissible environmental conditions according to EN 60721-3	
Storage	1K6 (relative humidity $\leq 95\%$ )
Transport	2K4
Operation	4K4 -20 to +85 °C: All versions -40 to +85 °C: With metal cable glands -55 to +85 °C: Low-temperature versions with metal cable glands Observe the limits in the test certificate for explosion-protected versions.
<b>Resistance to vibration</b>	
Vibrations (sinusoidal)	According to DIN EN 60068-2-6: 0.15 mm, 10 to 60 Hz; 20 m/s <sup>2</sup> , 60 to 500 Hz per axis 0.75 mm, 10 to 60 Hz; 100 m/s <sup>2</sup> , 60 to 500 Hz per axis
Bumps (half sine)	According to DIN EN 60068-2-29: 150 m/s <sup>2</sup> , 6 ms; 4000 bumps per axis
Noise	According to DIN EN 60068-2-64: 10 to 200 Hz: 1 (m/s <sup>2</sup> ) <sup>2</sup> /Hz 200 to 500 Hz: 0.3 (m/s <sup>2</sup> ) <sup>2</sup> /Hz 4 h/axis
Recommended continuous duty	$\leq 20$ m/s <sup>2</sup>
<b>Influences</b>	
Temperature	$\leq 0.15\%$ /10 K
Supply	None
<b>Requirements</b>	
EMC	Complying with EN 61000-6-2, EN 61000-6-3, EN 61326-1 and NAMUR Recommendation NE 21
Degree of protection	IP 66/NEMA 4X
<b>Electrical connections</b>	
Cable glands	One M20x1.5 cable gland for 6 to 12 mm clamping range Second M20x1.5 threaded connection additionally available
Terminals	Screw terminals for 0.2 to 2.5 mm <sup>2</sup> wire cross-section
<b>Explosion protection</b>	
ATEX, IECEx, ...	See Table 3-3

Materials	
Housing and cover	Die-cast aluminum EN AC-ALSi12(Fe) (EN AC-44300) acc. to DIN EN 1706, chromate and powder coating · Special version: stainless steel 1.4408
Window	Makrolon® 2807
Cable glands	Polyamide, nickel-plated brass, stainless steel 1.4305
Other external parts	Stainless steel: 1.4571 and 1.4301
Weight	
	Aluminum housing: approx. 1.0 kg · Stainless steel housing: approx. 2.2 kg





**Table 3-2:** *Optional additional functions*

Position transmitter		
Version	Two-wire system, galvanic isolation, reverse polarity protection, reversible direction of action	
Supply	10 to 30 V DC	
Output signal	4 to 20 mA	
Operating range	2.4 to 21.6 mA	
Error indication	2.4 or 21.6 mA	
No-load current	1.4 mA	
Static destruction limit	38 V DC · 30 V AC	
Software limit switches	NAMUR	PLC
Version	Galvanic isolation, reverse polarity protection, switching output acc. to EN 60947-5-6	Galvanic isolation, reverse polarity protection, binary input of a PLC acc. to EN 61131-2, $P_{\max} = 400 \text{ mW}$
Signal state	$\leq 1.0 \text{ mA}$ (non-conducting)	$R = 10 \text{ k}\Omega$ (non-conducting)
	$\geq 2.2 \text{ mA}$ (conducting)	$R = 348 \Omega$ (conducting)
Static destruction limit	32 V DC/24 V AC	16 V DC/50 mA

## Design and principle of operation

Inductive limit switches	
Version	For connection to switching amplifier according to EN 60947-5-6, SJ2-SN proximity switches, reverse polarity protection
Measuring plate not detected	$\geq 3$ mA
Measuring plate detected	$\leq 1$ mA
Static destruction limit	20 V DC
Permissible ambient temperature	-50 to +85 °C

**Table 3-3: Summary of explosion protection approvals**

		Certification			Type of protection
TROVIS 3730-1	-110	 EU type examination certificate	Number Date	PTB 18 ATEX 2001 2018-10-25	II 2 G Ex ia IIC T4/T6 Gb II 2 D Ex ia IIIC T 85 °C Db
	-510	 EU type examination certificate	Number Date	PTB 18 ATEX 2001 2018-10-25	II 2 D Ex tb IIIC T 85 °C Db
	-810	 EU type examination certificate	Number Date	PTB 18 ATEX 2001 2018-10-25	II 3 G Ex nA IIC T4/T6 Gc II 2 D Ex tb IIIC T 85 °C Db
	-850	 EU type examination certificate	Number Date	PTB 18 ATEX 2001 2018-10-25	II 3 G Ex nA IIC T4/T6 Gc
	-111	IECEX	Number Date	IECEX PTB 19.0010 2019-03-04	Ex ia IIC T4/T6 Gb Ex ia IIIC T85°C Db
	-511	IECEX	Number Date	IECEX PTB 19.0010 2019-03-04	Ex tb IIIC T85°C Db
	-811	IECEX	Number Date	IECEX PTB 19.0010 2019-03-04	Ex nA IIC T4/T6 Gc Ex tb IIIC T85°C Db
	-851	IECEX	Number Date	IECEX PTB 19.0010 2019-03-04	Ex nA IIC T4/T6 Gc
	-112	CCC Ex	Number Date Valid until	2020322307001506 2023-04-29 2025-09-17	Ex ia IIC T4/T6 Gb Ex ia IIIC T85 °C Db
	-512	CCC Ex	Number Date Valid until	2020322307001506 2023-04-29 2025-09-17	Ex tb IIIC T85 °C Db
-113	EAC	Number Date Valid until	RU C-DE, HA65.B.00700/20 2020-08-19 2025-08-18	1Ex ia IIC T6...T4 Gb X Ex ia IIIC T85 °C Db X	

		Certification		Type of protection	
TROVIS 3730-1	-130	<b>FM</b>	Number Date FM21CA0063 2022-10-18	IS Cl. I, II, III, Div. 1, Gr. A-G; T* Ta*; IS Ex ia IIC T* Gb NI Class I, II, III Div. 2, Gr. A-G; T* Ta*; Type 4X; IP66	
	-130	<b>FM</b>	Number Date FM21US0096 2022-10-18	IS Cl. I, II, III, Div. 1, Gr. A-G; T* Ta* Type 4X NI Cl. I, II, III, Div. 2, Gr. A-G; T* Ta*Type 4X; Cl. I, Zone 1, AEx ia IIC; Type 4X	
	-115	<b>INMETRO</b>	No. Date Valid until IEEx 20.0231/1 2024-01-11 2030-01-10	Ex ia IIC T4/T6 Gb Ex ia IIIC T85°C Db	
	-515	<b>INMETRO</b>	No. Date Valid until IEEx 20.0231/1 2024-01-11 2030-01-10	Ex tb IIIC T85°C Db	
	-815	<b>INMETRO</b>	No. Date Valid until IEEx 20.0231/1 2024-01-11 2030-01-10	Ex ec IIC T4/T6 Gc Ex tb IIIC T85°C Db	
	-855	<b>INMETRO</b>	No. Date Valid until IEEx 20.0231/1 2024-01-11 2030-01-10	Ex ec IIC T6 Gc	
	-170	<b>JIS</b>	Number Date Valid until TC22938 2023-12-26 2026-12-25	Ex ia IIC T6 Gb	
	-114	<b>KCS Korea</b>	Number Date Valid until 21-KA4BO-0728 2021-09-30 2022-09-30	Ex ia IIC T6/T4	
	-112	<b>NEPSI</b>	Number Date Valid until GYJ23.1091X 2023-04-29 2028-04-28	Ex ia IIC T4/T6 Gb Ex ia IIIC T85°C Db	
	-512	<b>NEPSI</b>	Number Date Valid until GYJ23.1091X 2023-04-29 2028-04-28	Ex tb IIIC T85°C Db	
			<b>TR CMU</b>	Number Date Valid until ZETC/027/2024 2024-04-22 2027-08-24	Module D

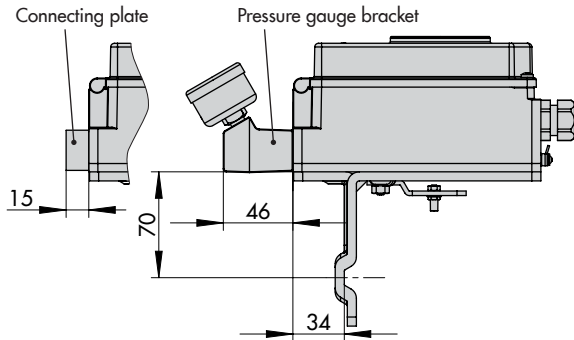
## Design and principle of operation

		Certification		Type of protection
TROVIS 3730-1	-116	TR CMU	Number ZETC/35/2021 Date 2021-07-26 Valid until 2024-07-25	II 2G Ex ia IIC T4/T6 Gb II 2D Ex ia IIIC T85 °C Db Module B
	-516	TR CMU	Number ZETC/35/2021 Date 2021-07-26 Valid until 2024-07-25	II 2D Ex tb IIIC T85 °C Db Module B
	-816	TR CMU	Number ZETC/35/2021 Date 2021-07-26 Valid until 2024-07-25	II 3G Ex nA IIC T4/T6 Gc II 2D Ex tb IIIC T85 °C Db Module B
	-856	TR CMU	Number ZETC/35/2021 Date 2021-07-26 Valid until 2024-07-25	II 3G Ex nA IIC T4/T6 Gc Module B

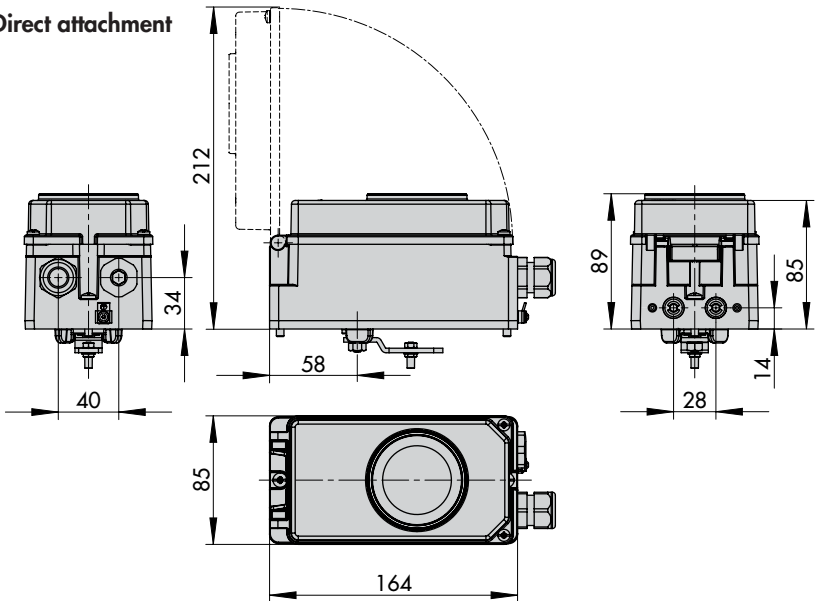


### 3.5 Dimensions in mm

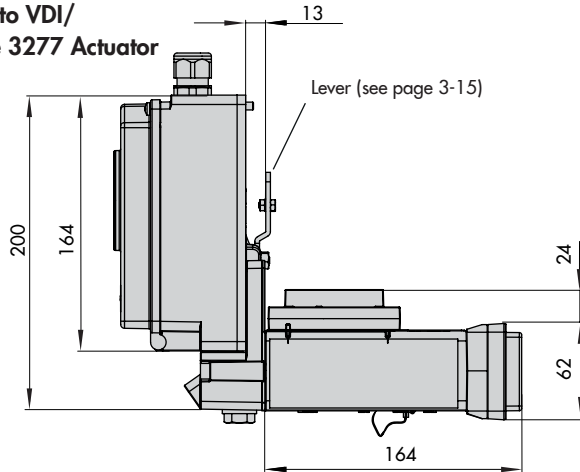
#### Attachment according to IEC 60534-6



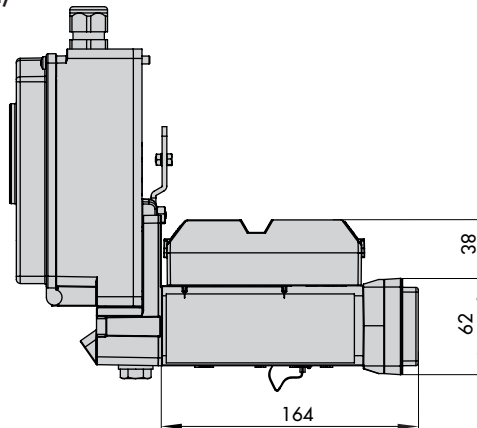
#### Direct attachment



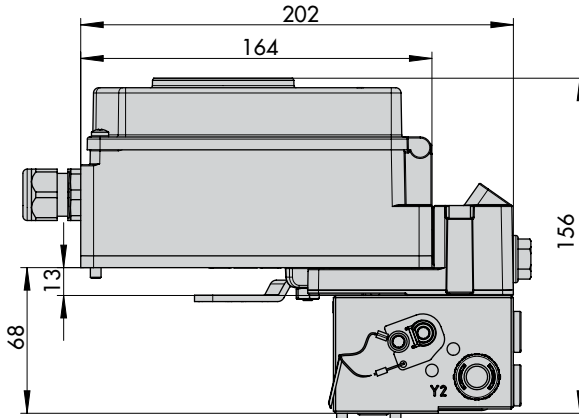
Attachment according to VDI/  
VDE 3847-1 onto Type 3277 Actuator



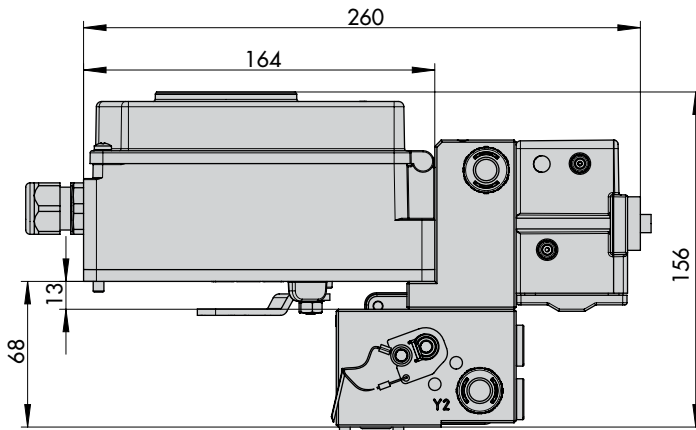
Attachment according to VDI/  
VDE 3847 to a NAMUR rib



**Attachment according to VDI/VDE 3847-2  
with single-acting actuator**



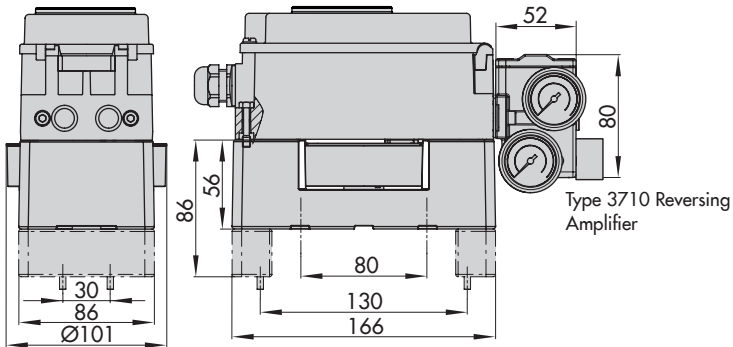
**Attachment according to VDI/VDE 3847-2  
with double-acting actuator**



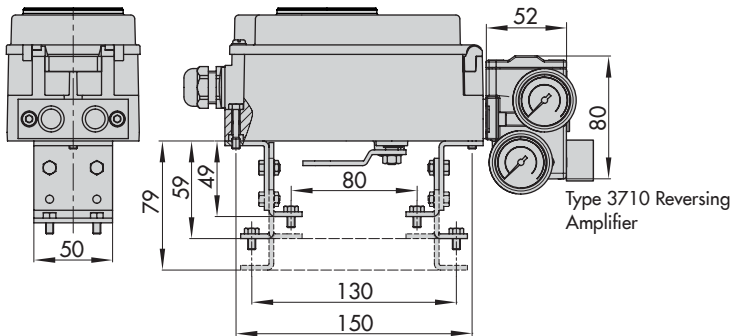
1) For attachment using intermediate plate

Attachment to rotary actuators according to VDI/VDE 3845

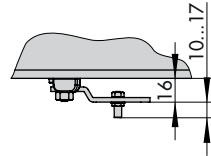
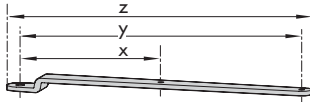
Heavy-duty version



Light version

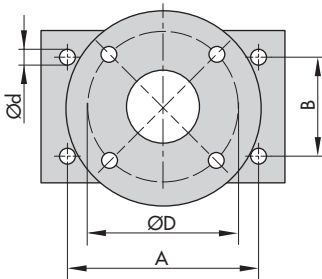
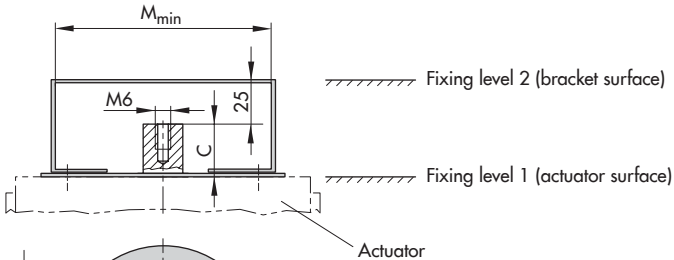


Lever



Lever	x	y	z
M	25 mm	50 mm	66 mm
L	70 mm	100 mm	116 mm
XL	100 mm	200 mm	216 mm
XXL	200 mm	300 mm	316 mm

### 3.6 Fixing levels according to VDI/VDE 3845 (September 2010)



Dimensions in mm						
Size	A	B	C	Ød	M <sub>min</sub>	D <sup>1)</sup>
AA0	50	25	15	5.5 for M5	66	50
AA1	80	30	20	5.5 for M5	96	50
AA2	80	30	30	5.5 for M5	96	50
AA3	130	30	30	5.5 for M5	146	50
AA4	130	30	50	5.5 for M5	146	50
AA5	200	50	80	6.5 for M6	220	50

<sup>1)</sup> Flange type F05 acc. to DIN EN ISO 5211



## 4 Shipment and on-site transport

The work described in this chapter is only to be performed by personnel appropriately qualified to carry out such tasks.

### 4.1 Accepting the delivered goods

After receiving the shipment, proceed as follows:

1. Check the scope of delivery. Check that the specifications on the nameplate of the positioner match the specifications in the delivery note. See the 'Markings on the device' chapter for nameplate details.
2. Check the shipment for transportation damage. Report any damage to SAMSON and the forwarding agent (refer to delivery note).

### 4.2 Removing the packaging from the positioner

Observe the following sequence:

- ➔ Do not remove the packaging until immediately before installing the positioner, pneumatic and option modules.
- ➔ Dispose and recycle the packaging in accordance with the local regulations.

### 4.3 Transporting the positioner

- ➔ Pack the positioner properly to comply with terms of transportation.

#### Transport instructions

- Protect the positioner against external influences (e.g. impact).
- Protect the positioner against moisture and dirt.
- Observe transport temperature depending on the permissible ambient temperature (see the 'Design and principle of operation' chapter).

### 4.4 Storing the positioner

---

#### **NOTICE**

**Risk of positioner damage due to improper storage.**

- ➔ Observe the storage instructions.
  - ➔ Avoid long storage times.
  - ➔ Contact SAMSON in case of different storage conditions or longer storage times.
- 

#### Storage instructions

- Protect the positioner against external influences (e.g. impact, shocks, vibration).
- Do not damage the corrosion protection (coating).
- Protect the positioner against moisture and dirt. In damp spaces, prevent con-

## Shipment and on-site transport

densation. If necessary, use a drying agent or heating.

- Observe storage temperature depending on the permissible ambient temperature (see the 'Design and principle of operation' chapter).
- Store the positioner with the cover closed.
- Seal the pneumatic and electrical connections.



## 5 Installation

The work described in this chapter is only to be performed by personnel appropriately qualified to carry out such tasks.

### **⚠ DANGER**

**Risk of fatal injury due to the ignition of an explosive atmosphere.**

- Observe EN 60079-14 (VDE 0165, Part 1) for work on the positioner in potentially explosive atmospheres.
- Work in potentially explosive atmospheres must only be performed by personnel who has undergone special training or instructions or who is authorized to work on explosion-protected devices in hazardous areas.

### **⚠ WARNING**

**Crush hazard arising from moving parts on the valve.**

- Do not touch any moving valve parts while the control valve is in operation.
- Before performing any mounting or installation work on the positioner, put the control valve out of operation by disconnecting and locking the supply air and control signal.
- Do not impede the movement of the actuator and plug stem by inserting objects into the yoke.

### **📌 NOTICE**

**Risk of malfunction due to incorrect mounting parts/accessories.**

- Only use the mounting parts and accessories listed in these mounting and operating instructions to mount and install the positioner. Pay special attention to the type of attachment.

## 5.1 Installation conditions

### Work position

The work position for the positioner is the front view onto the operating controls on the positioner seen from the position of operating personnel.

Operators must ensure that, after installation of the positioner, the operating personnel can perform all necessary work safely and easily access the device from the work position.

### Mounting orientation

- Do not seal or restrict the vent opening (see Fig. 5-1) when the device is installed on site.
- Observe mounting position (see Fig. 5-2).

### 5.2 Preparation for installation

Before mounting, make sure the following conditions are met:

- The positioner is not damaged.
- The air supply is not yet connected to the positioner.
- The current is not yet connected to the positioner.

Proceed as follows:

- Lay out the necessary material and tools to have them ready during mounting.
- Adjust correct lever and pin position (see Chapter 5.4).
- Remove the protective caps from the pneumatic connections.

### 5.3 Turning the positioner shaft

To turn or hold the positioner shaft in position, turn or hold the actual shaft lock by hand.

- Do not use the locking screw to turn the positioner shaft knob. Only turn the rotary knob by hand (see Fig. 5-5).

### 5.4 Adjusting the lever and pin position

---

#### **i** Note

*The M lever is included in the scope of delivery.*

*S, L, XL levers are available as accessories (see Table 5-7). The XXL lever is available on request.*

---

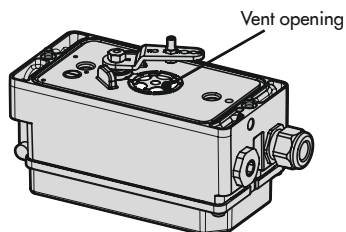
The positioner is adapted to the actuator and to the rated travel by the lever on the back of the positioner and the pin inserted into the lever.

The travel tables on page 5-4 show the maximum adjustment range at the positioner. The travel that can be implemented at the valve is additionally restricted by the selected fail-safe position and the required compression of the actuator springs.

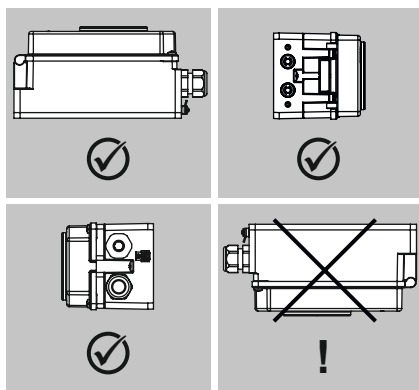
The positioner is equipped with the M lever (pin position 35) as standard (see Fig. 5-3).

If a pin position other than position 35 with the standard M lever is required or an L or XL lever size is required, proceed as follows (see Fig. 5-4):

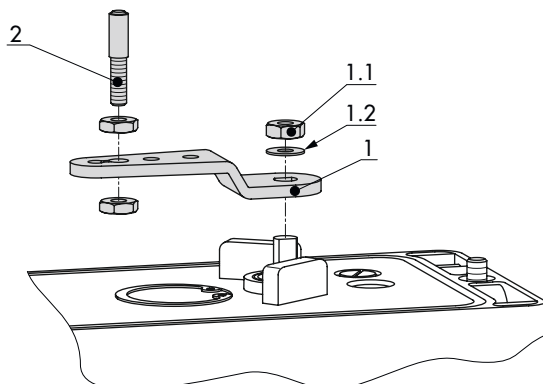
1. Fasten the follower pin (2) in the assigned lever hole (pin position as specified in the travel tables on page 5-4). Only use the longer follower pin included in the mounting kit.
2. Place the lever (1) on the shaft of the positioner and fasten it tight using the disk spring (1.2) and nut (1.1).



**Fig. 5-1:** Vent opening  
(back of the positioner)

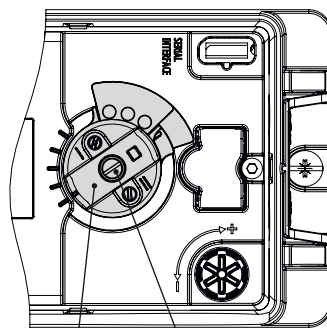


**Fig. 5-2:** Permissible mounting positions



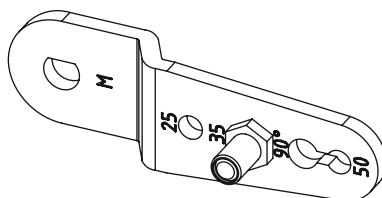
- 1 Lever
- 1.1 Nut
- 1.2 Disk spring
- 2 Follower pin

**Fig. 5-4:** Mounting the lever and follower pin



- Rotary knob
- Locking screw

**Fig. 5-5:** Shaft lock



**Fig. 5-3:** M lever with pin position 35

## 5.4.1 Travel tables

**i Note**

The **M** lever is included in the scope of delivery.

**S**, **L**, **XL** levers for attachment according to IEC 60534-6 (NAMUR) are available as accessories (see Table 5-7 on page 5-42). The **XXL** lever is available on request.

**Table 5-1:** Direct attachment to Type 3277-5 and Type 3277 Actuator

Actuator size [cm <sup>2</sup> ]	Rated travel [mm]	Adjustment range at positioner Travel [mm]	Required lever	Assigned pin position
120	7.5	5.0 to 25.0	M	25
120/175/ 240/350	15	7.0 to 35.0	M	35
355/700/750	30	10.0 to 50.0	M	50

**Table 5-2:** Attachment according to IEC 60534-6 (NAMUR)

SAMSON valves with Type 3271 Actuator		Adjustment range at positioner Other control valves		Required lever	Assigned pin position
Actuator size [cm <sup>2</sup> ]	Rated travel [mm]	Min. travel [mm]	Max. travel [mm]		
120 with Type 3510 Valve	7.5	3.5	17.5	S	17
120	7.5	5.0	25.0	M	25
120/175/240/350	15	7.0	35.0	M	35
700/750	7.5	7.0	35.0	M	35
355/700/750	15 and 30	10.0	50.0	M	50
1000/1400/2800	30	14.0	70.0	L	70
	60	20.0	100.0	L	100
1400/2800	120	40.0	200.0	XL	200
1400	250	60.0	300.0	XXL	300

**Table 5-3:** Attachment to rotary actuators

Opening angle	Required lever	Assigned pin position
24 to 100°	M	90°

## 5.5 Installing a volume restriction

We recommend using a volume restriction

- For linear actuators with a transit time  $< 1$  s (e.g. with an actuator area smaller than  $240 \text{ cm}^2$ ),
- For rotary actuators with a volume of less than  $300 \text{ cm}^3$ .

**Volume restriction in the connection block (direct attachment).** See Fig. 5-6.

➔ Order no. 100041955

1. Apply a thin film of lubricant to the O-ring at the signal pressure output.
2. Carefully push and turn the volume restriction (1) (e.g. using a hex wrench) into the opening (tube) of the signal pressure output at the connection block as far as it will go.
3. Place the connection block (2) against the positioner and the actuator yoke and fasten using the screw.

**Volume restriction on the connecting plate/pressure gauge bracket (see Fig. 5-7)**

➔ Order no. 100041162

1. Insert the volume restriction (1) with O-ring at the signal pressure output of the connecting plate (3)/pressure gauge bracket in place of the existing O-ring.
2. Place the connecting plate (3)/pressure gauge bracket on the positioner and fasten using screws and spring washers.

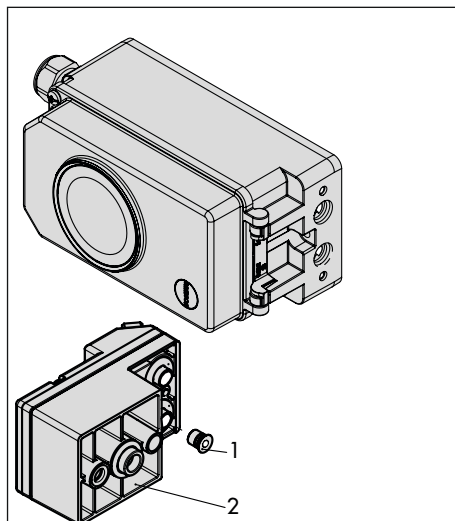


Fig. 5-6: Installing the volume restriction (1) in the connection block (2)

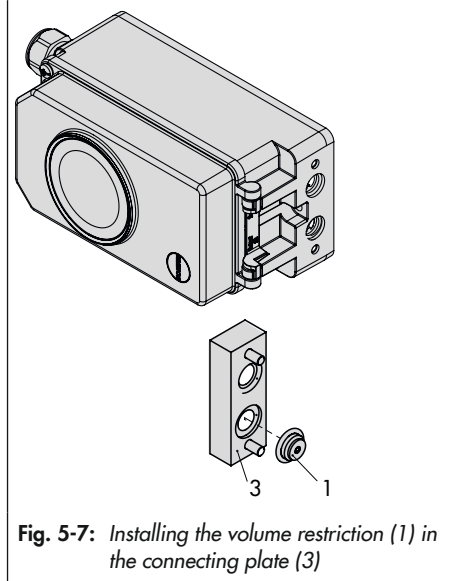


Fig. 5-7: Installing the volume restriction (1) in the connecting plate (3)

## 5.6 Positioner attachment

### 5.6.1 Direct attachment

---

**i Note**

*We recommend using a volume restriction for a transit time <1 s (see Chapter 5.5).*

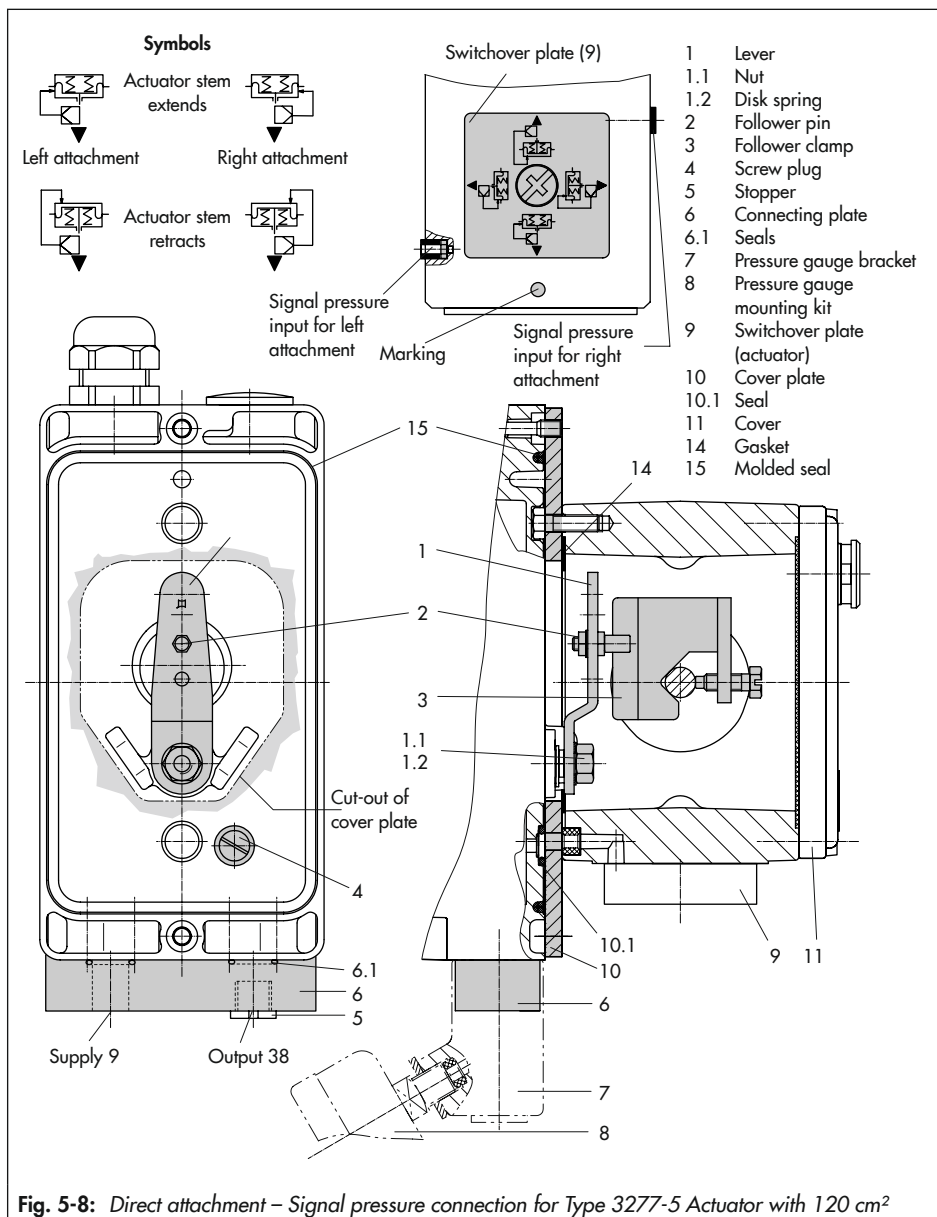
---

#### a) Type 3277-5 Actuator

- Actuator with 120 cm<sup>2</sup> (see Fig. 5-8)
  - Required mounting parts and accessories: Table 5-5 on page 5-40.
  - Observe travel tables on page 5-4.
  - Depending on the fail-safe action of the actuator "actuator stem extends" or "actuator stem retracts", mount the switchover plate (9) on the actuator yoke. Align the symbol for attachment to the left or right side with the marking (see Fig. 5-8, top).
1. Mount connecting plate (6) or pressure gauge bracket (7) with pressure gauges on the positioner. Make sure that the two seals (6.1) are seated properly.
  2. Remove screw plug (4) on the back of the positioner and seal the signal pressure output (38) on the connecting plate (6) or on the pressure gauge bracket (7) with the stopper (5) included in the accessories.
  3. Place follower clamp (3) on the actuator stem, align it and screw tight so that the

mounting screw is located in the groove of the actuator stem.

4. Mount cover plate (10) with narrow side of the cut-out (Fig. 5-8, on the left) pointing towards the signal pressure connection. Make sure that the gasket (14) points towards the actuator yoke.
5. Check the pin position of the follower pin (2) on M lever (1). Refer to travel tables for type of attachment. If necessary, change the pin position (see Chapter 5.4).
6. Insert molded seal (15) into the groove of the positioner housing and insert the seal (10.1) on the back of the housing.
7. Place positioner on the cover plate (10) in such a manner that the follower pin (2) rests on the top of the follower clamp (3). Adjust the lever (1) correspondingly and open the positioner cover to hold the positioner shaft in position at the shaft lock (Fig. 5-5). The lever (1) must rest on the follower clamp with spring force. Fasten the positioner on the cover plate (10) using the two fastening screws.
8. Mount cover (11) on the other side. Make sure that the vent plug is located at the bottom when the control valve is installed to allow any condensed water that collects to drain off.



### b) Type 3277 Actuator

- ➔ Actuators with 175 to 750 cm<sup>2</sup> (Fig. 5-9)
- ➔ Required mounting parts and accessories: Table 5-6 on page 5-41.

➔ Observe travel tables on page 5-4.

1. Seal the signal pressure output at the back of the positioner with the screw plug (4, order no. 0180-1254) and the associated O-ring (order no. 0520-0412) if the screw plug is not yet in place.
2. Place follower clamp (3) on the actuator stem, align it and screw tight so that the mounting screw is located in the groove of the actuator stem.
3. Mount cover plate (10) with narrow side of the cut-out (Fig. 5-9, on the left) pointing towards the signal pressure connection. Make sure that the gasket (14) points towards the actuator yoke.
4. Check the pin position of the follower pin (2) on M lever (1). Refer to travel tables for type of attachment. If necessary, change the pin position (see Chapter 5.4).
5. Insert molded seal (15) into the groove of the positioner housing.
6. Place positioner on the cover plate in such a manner that the follower pin (2) rests on the top of the follower clamp (3). Adjust the lever (1) correspondingly and open the positioner cover to hold the positioner shaft in position at the shaft lock (Fig. 5-5). The lever (1) must rest on the follower clamp with spring force.

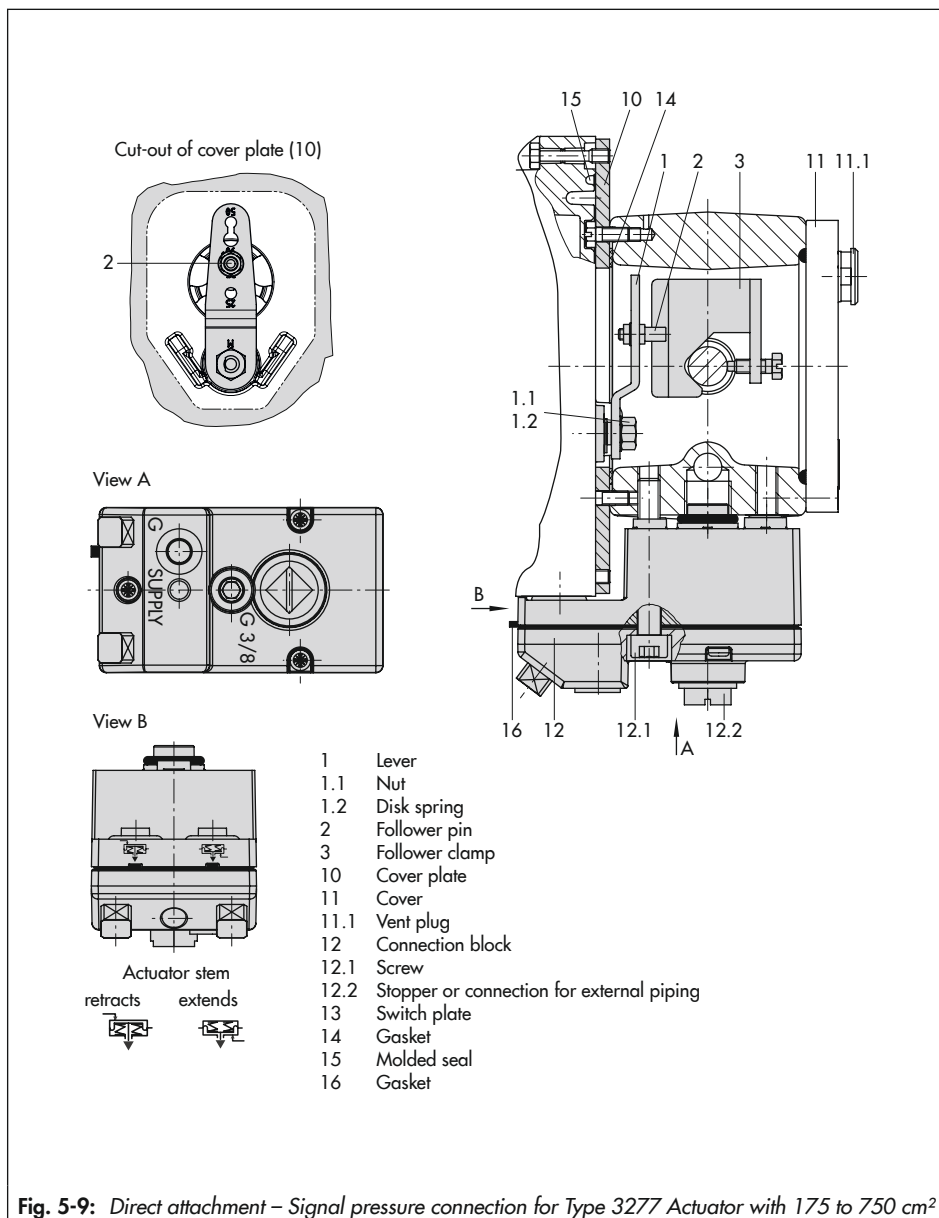
Fasten the positioner on the cover plate (10) using the two fastening screws.

7. Make sure that the tip of the gasket (16) projecting from the side of the connection block is positioned to match the actuator symbol for the actuator's fail-safe action "actuator stem extends" or "actuator stem retracts". If this is not the case, unscrew the three fastening screws and lift off the cover. Turn the gasket (16) by 180° and re-insert it.
8. Place the connection block (12) with the associated seals against the positioner and the actuator yoke and fasten using the screw (12.1). For actuators with fail-safe action "actuator stem retracts", additionally remove the stopper (12.2) and mount the external signal pressure pipe.
9. Mount cover (11) on the other side. Make sure that the vent plug is located at the bottom when the control valve is installed to allow any condensed water that collects to drain off.

### 5.6.2 Attachment according to IEC 60534-6

- ➔ Required mounting parts and accessories: Table 5-7 on page 5-42.
- ➔ Observe travel tables on page 5-4.
- ➔ See Fig. 5-10





## Installation

The positioner is attached to the control valve using a NAMUR bracket (10).

1. Seal the signal pressure output at the back of the positioner with the screw plug (4, order no. 0180-1254) and the associated O-ring (order no. 0520-0412) if the screw plug is not yet in place.
2. Screw the two bolts (14) to the bracket (9.1) of the stem connector (9), place the follower plate (3) on top and use the screws (14.1) for fastening.

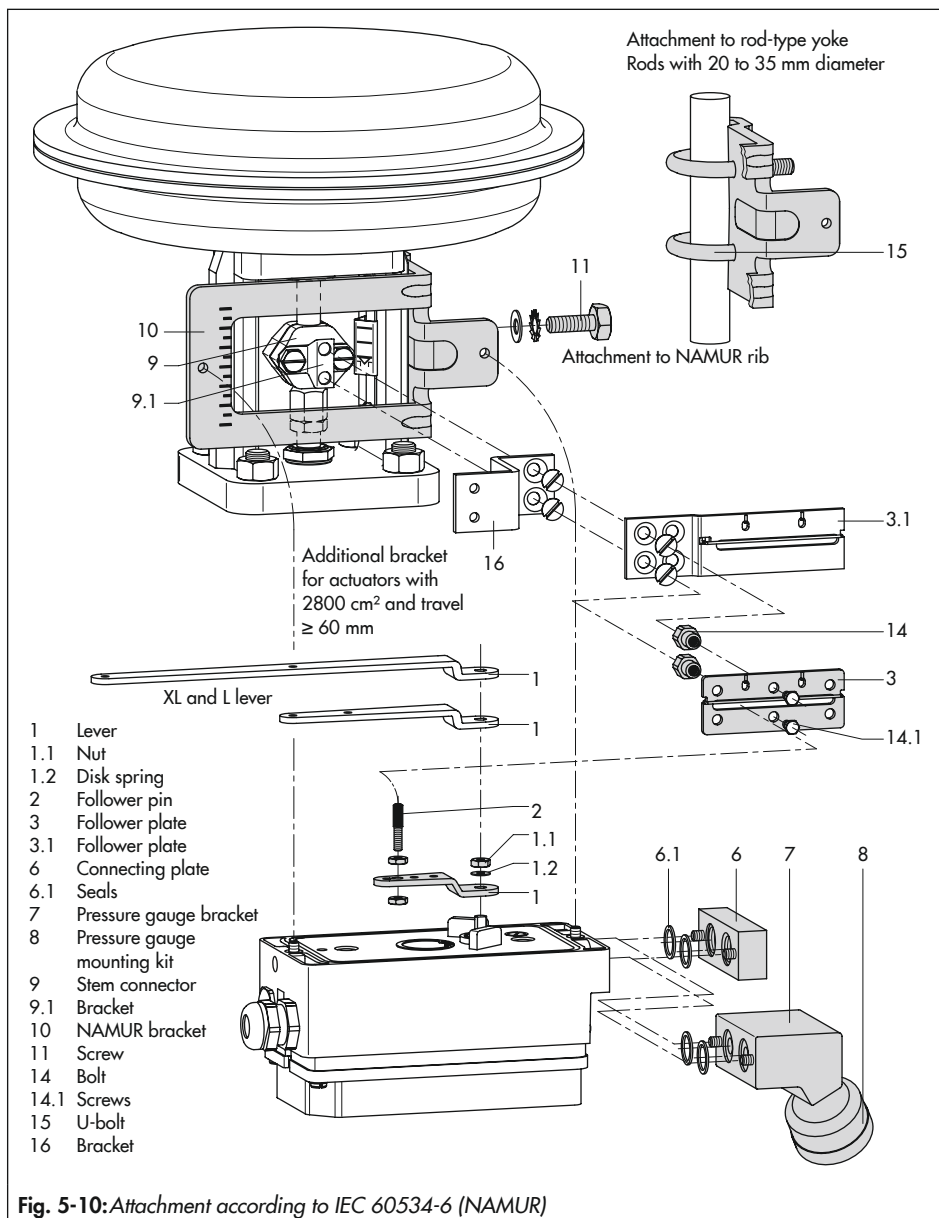
### Actuator sizes 2800 cm<sup>2</sup> and 1400 cm<sup>2</sup> with 120 mm travel:

- For a travel of 60 mm or smaller, screw the longer follower plate (3.1) directly to the stem connector (9).
  - For a travel exceeding 60 mm, mount the bracket (16) first and then the follower plate (3) to the bracket together with the bolts (14) and screws (14.1).
3. Mount NAMUR bracket (10) to the control valve as follows:
    - For **attachment to the NAMUR rib**, use an M8 screw (11) and toothed lock washer directly in the yoke hole.
    - For attachment to **valves with rod-type yokes**, use two U-bolts (15) around the yoke. Align the NAMUR bracket (10) according to the embossed scale so that the follower plate (3) is shifted by half the angle range to the NAMUR bracket (the slot of the follower plate is centrally aligned with the NAMUR bracket at mid valve travel).

4. Mount connecting plate (6) or pressure gauge bracket (7) with pressure gauges (8) on the positioner. Make sure that the two seals (6.1) are seated properly.
5. Select required lever size (1) M, L or XL and pin position according to the actuator size and valve travel listed in the travel table on page 5-4.

Should a pin position other than position **35** with the standard **M** lever be required or an **L** or **XL** lever size be required, proceed as follows:

6. Fasten the follower pin (2) in the assigned lever hole (pin position as specified in the travel table). Only use the longer follower pin (2) included in the mounting kit.
7. Place the lever (1) on the shaft of the positioner and fasten it tight using the disk spring (1.2) and nut (1.1). Move lever once all the way as far as it will go in both directions.
8. Place positioner on the NAMUR bracket in such a manner that the follower pin (2) rests in the slot of the follower plate (3, 3.1). Adjust the lever (1) correspondingly.  
Screw the positioner to the NAMUR bracket using its two fastening screws.



### 5.6.3 Attachment to Type 3510 Micro-flow Valve

→ See Fig. 5-11

→ Required mounting parts and accessories: Table 5-7 on page 5-42.

→ Observe travel tables on page 5-4.

The positioner is attached to the valve yoke using a bracket.

1. Seal the signal pressure output at the back of the positioner with the screw plug (4, order no. 0180-1254) and the associated O-ring (order no. 0520-0412) if the screw plug is not yet in place.
2. Fasten the bracket (9.1) to the stem connector.
3. Screw the two bolts (9.2) to the bracket (9.1) of the stem connector (9), place the follower plate (3) on top and use the screws (9.3) for fastening.
4. Mount the travel indication scale (accessories) to the outer side of the yoke using the hex screws (12.1), ensuring that the scale is aligned with the stem connector.
5. Fasten the hex bar (11) onto the outer side of yoke by screwing the M8 screws (11.1) directly into the holes on the yoke.
6. Fasten the bracket (10) to the hex bar (11) using the hex screw (10.1), shim and tooth lock washer.
7. Mount connecting plate (6) or pressure gauge bracket (7) with pressure gauges

on the positioner. Make sure that the two seals (6.1) are seated properly.

8. Unscrew the standard M lever (1) including follower pin (2) from the positioner shaft.
9. Take the S lever (1) and screw the follower pin (2) in the hole for pin position 17.
10. Place the S lever on the positioner shaft and screw tight using the disk spring (1.2) and nut (1.1).  
Move lever once all the way as far as it will go in both directions.
11. Place positioner on the bracket (10) in such a manner that the follower pin slides into the groove of the follower pin (3). Adjust the lever (1) correspondingly. Screw the positioner to the bracket (10) using both its screws.

### 5.6.4 Attachment according to VDI/VDE 3847-1

→ See Fig. 5-12.

This type of attachment allows the positioner to be replaced quickly while the process is running by blocking the air in the actuator.

The signal pressure can be blocked in the actuator by unscrewing the red retaining screw (20) and turning the air blocker (19) on the bottom of the adapter block.

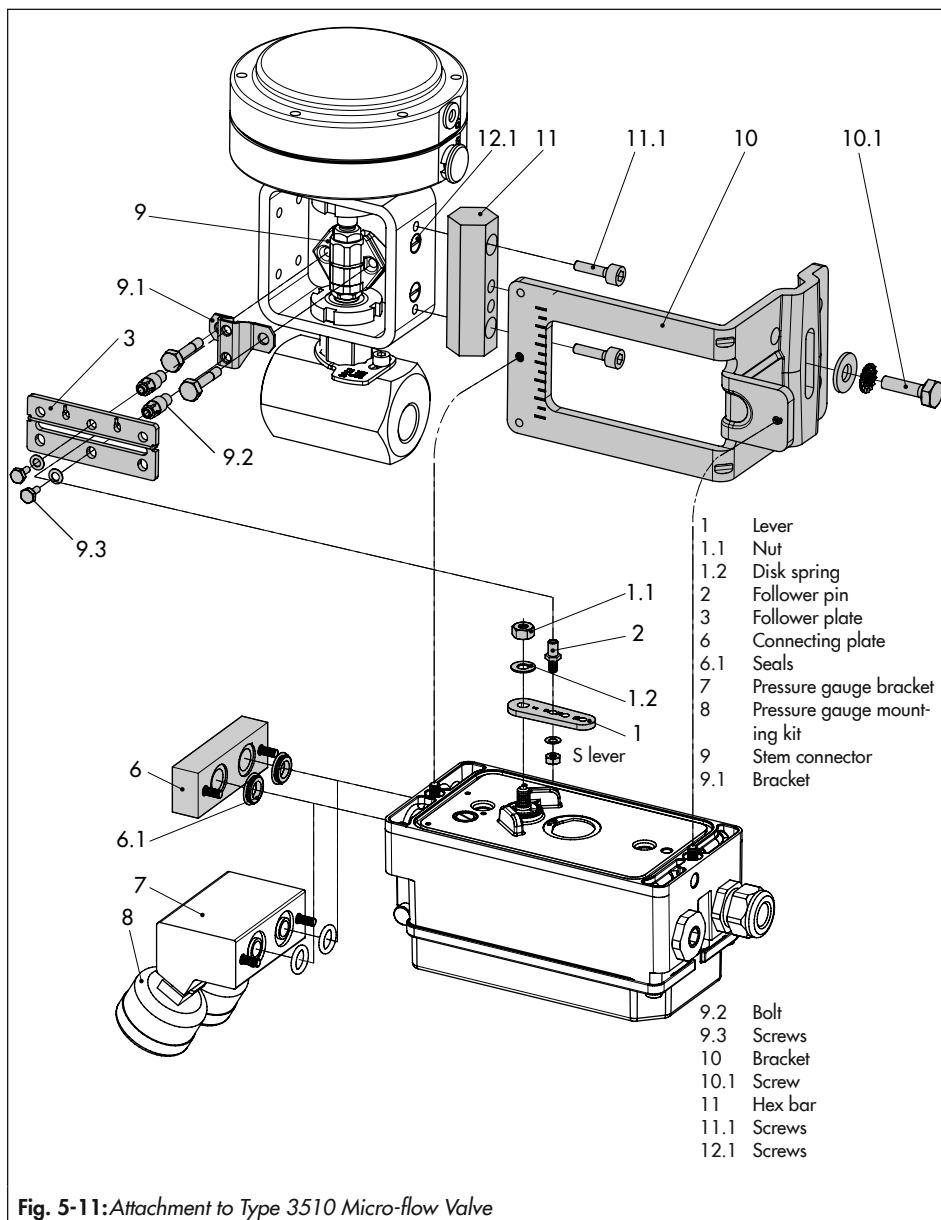


Fig. 5-11: Attachment to Type 3510 Micro-flow Valve

### Attachment to Type 3277 Actuator (see Fig. 5-12)

➔ Required mounting parts and accessories: Table 5-8 on page 5-42.

Mount the positioner on the yoke as shown in Fig. 5-12. The signal pressure is routed to the actuator over the connecting plate (12), for actuators with fail-safe action "actuator stem extends" internally through a bore in the valve yoke and for "actuator stem retracts" through external piping.

Only the Y1 port is required for positioner attachment. The Y2 port can be used for air purging of the spring chamber.

1. Seal the signal pressure output at the back of the positioner with the screw plug (4, order no. 0180-1254) and the associated O-ring (order no. 0520-0412) if the screw plug is not yet in place.
2. Place follower clamp (3) on the actuator stem, align it and screw tight so that the mounting screw is located in the groove of the actuator stem.
3. Place the adapter bracket (6) on the positioner and mount using the screws (6.1). Make sure that the seals are correctly seated. For positioners **with air purging**, remove the stopper (5) before mounting the positioner. For positioners **without air purging**, replace the screw plug (4) with a vent plug.
4. For actuators with 355, 700 or 750 cm<sup>2</sup>, remove the follower pin (2) on the M lever (1) on the back of the positioner from

pin position 35, reposition it in the hole for pin position 50 and screw tight.

For actuators 175, 240 and 350 cm<sup>2</sup> with 15 mm travel, keep the follower pin (2) in pin position 35.

5. Insert the molded seal (6.2) in the groove of the adapter bracket (6).
6. Insert the molded seal (17.1) into the turnboard (17) and mount the turnboard to the adapter block (13) using the screws (17.2).
7. Mount the blank plate (18) to the turnboard (17) using the screws (18.1). Make sure that the seals are correctly seated.

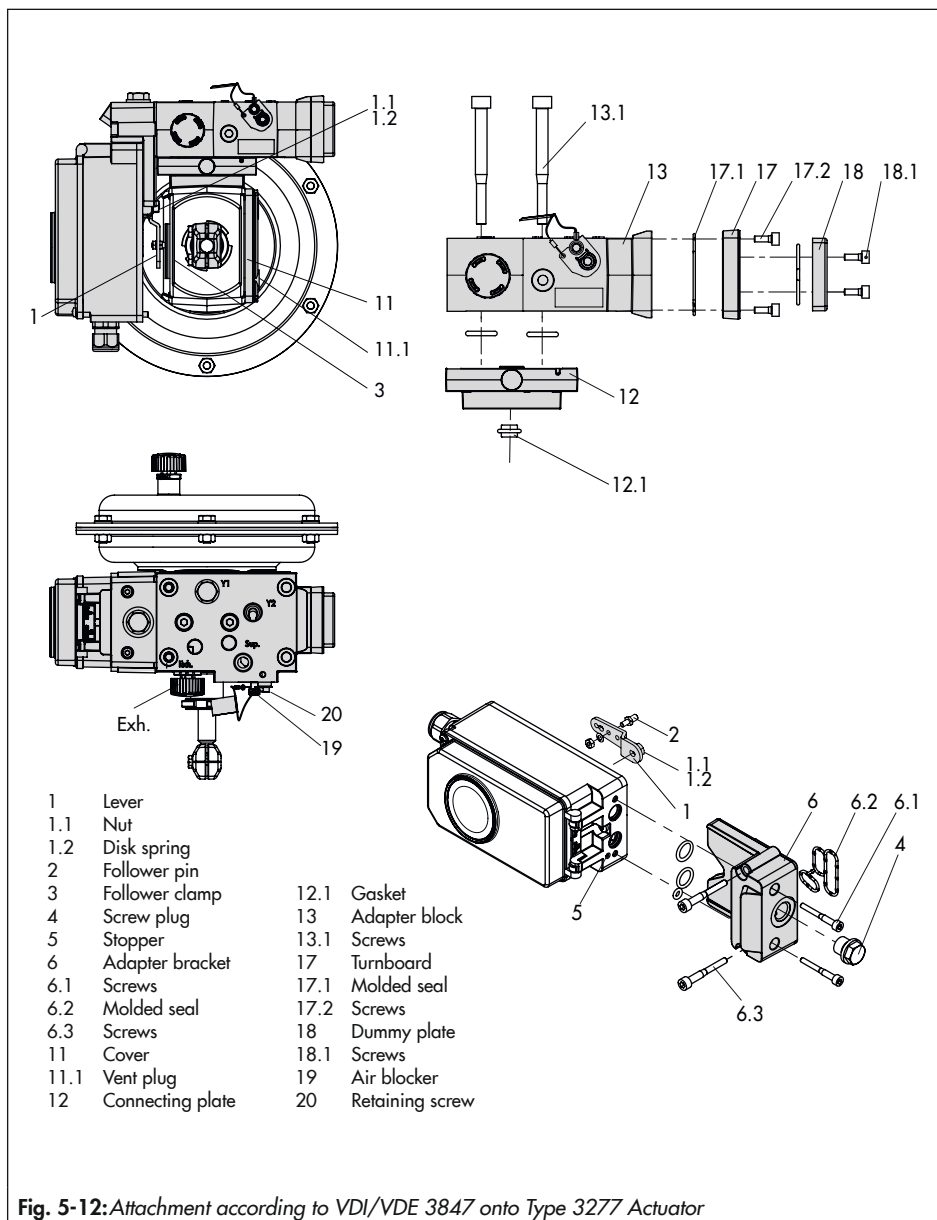
---

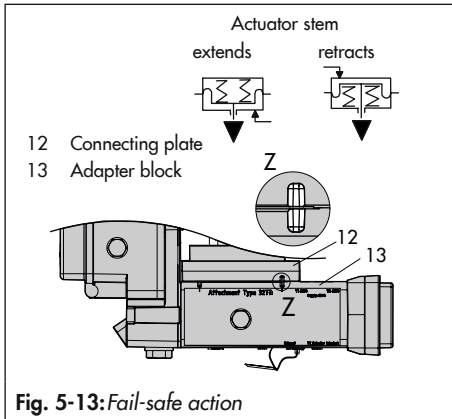
#### **i** Note

*A solenoid valve can also be mounted in place of the blank plate (18). The orientation of the turnboard (17) determines the mounting position of the solenoid valve. Alternatively, a restrictor plate can be mounted (▶ AB 11).*

---

8. Insert the screws (13.1) through the middle holes of the adapter block (13).
9. Place the connecting plate (12) together with the seal (12.1) onto the screws (13.1) corresponding to the fail-safe action "actuator stem extends" or "actuator stem retracts". The fail-safe action that applies is determined by aligning the groove of the adapter block (13) with the groove of the connecting plate (12) (Fig. 5-13).





10. Mount the adapter block (13) together with the connecting plate (12) to the actuator using the screws (13.1).
11. Insert the vent plug (11.1) into the **Exh.** connection.
12. For fail-safe action "actuator stem extends", seal the Y1 port with a blanking plug.  
For fail-safe action "actuator stem retracts", connect the Y1 port to the signal pressure connection of the actuator.
13. Place positioner on the adapter block (13) in such a manner that the follower pin (2) rests on the top of the follower clamp (3). Adjust the lever (1) correspondingly and open the positioner cover to hold the positioner shaft in position at the shaft lock (Fig. 5-5). The lever (1) must rest on the follower clamp with spring force.
14. Fasten the positioner to the adapter block (13) using the two fastening screws (6.3).

Make sure the molded seal (6.2) is properly seated.

15. Mount cover (11) on the other side to the yoke. Make sure that the vent plug is located at the bottom when the control valve is installed to allow any condensed water that collects to drain off.

### Attachment according to VDI/VDE 3847 to a NAMUR rib (see Fig. 5-14)

- Required mounting parts and accessories: Table 5-8 on page 5-42.
- Observe travel tables on page 5-4.

1. **Series 240 Valves, actuator size up to 1400-60 cm<sup>2</sup>:** Screw the two bolts (14) to the bracket of the stem connector or directly to the stem connector (depending on the version), place the follower plate (3) on top and use the screws (14.1) to fasten it.

#### **Type 3251 Valve, 350 to 2800 cm<sup>2</sup>:**

Screw the longer follower plate (3.1) to the bracket of the stem connector or directly to the stem connector (depending on the version).

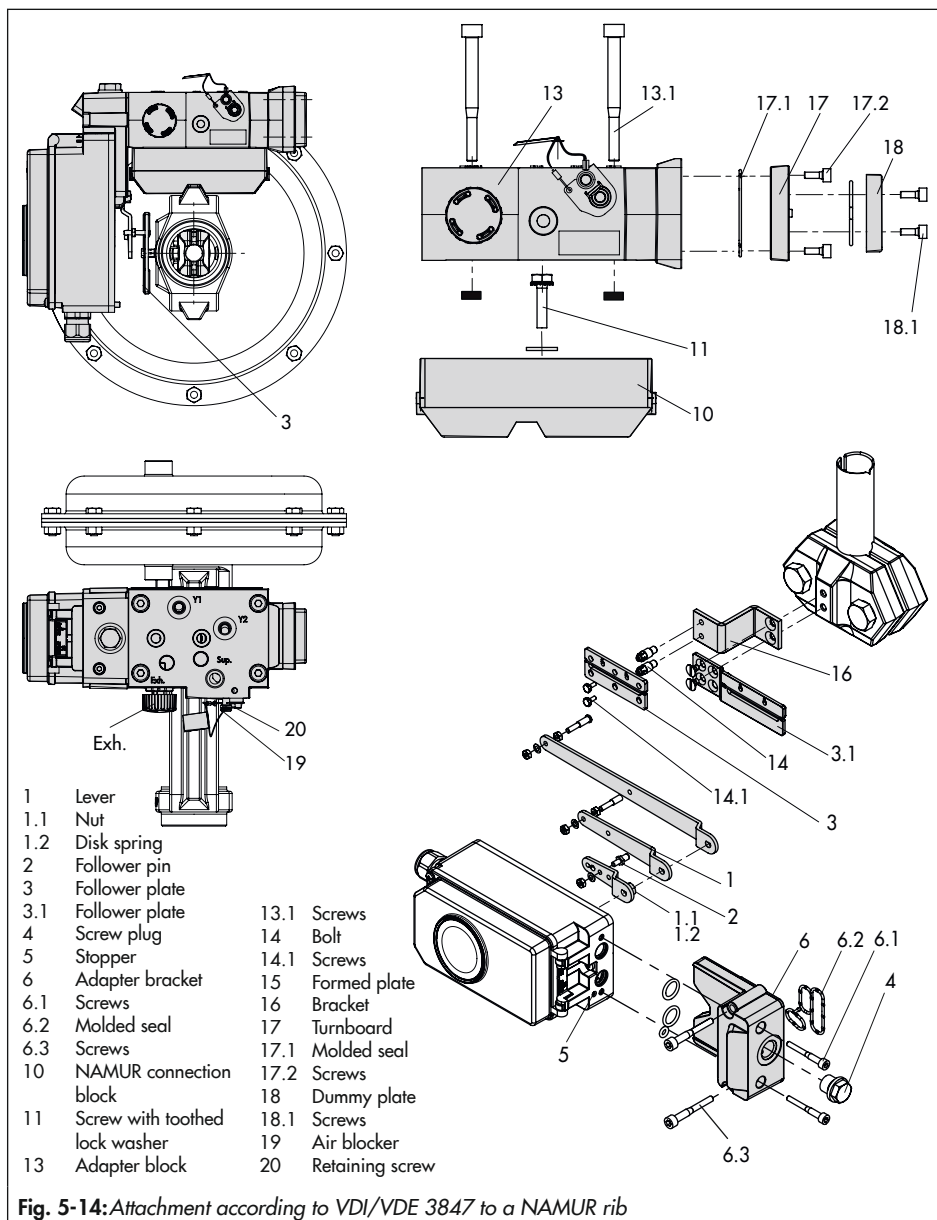
#### **Type 3254 Valve, 1400-120 to 2800 cm<sup>2</sup>:**

Screw the two bolts (14) to the bracket (16). Fasten the bracket (16) onto the stem connector, place the follower plate (3) on top and use the screws (14.1) to fasten it.

Mount the positioner on the NAMUR rib as shown in Fig. 5-14.

2. For **attachment to the NAMUR rib**, fasten the NAMUR connection block (10) directly into the existing yoke bore using





## Installation

the screw and toothed lock washer (11). Align the marking on the NAMUR valve connection (on the side marked '1') to 50 % travel.

For attachment to **valves with rod-type yokes** using the formed plate (15), which is placed around the yoke: screw the four studs into the NAMUR connection block (10). Place the NAMUR connection block on the rod and position the formed plate (15) on the opposite side. Use the nuts and toothed lock washers to fasten the formed plate onto the studs. Align the marking on the NAMUR valve connection (on the side marked '1') to 50 % travel.

3. Place the adapter bracket (6) on the positioner and mount using the screws (6.1). Make sure that the seals are correctly seated. For positioners **with air purging**, remove the stopper (5) before mounting the positioner. For positioners **without air purging**, replace the screw plug (4) with a vent plug.
4. Select required lever size (1) M, L or XL and pin position according to the actuator size and valve travel listed in the travel table on page 5-4.

Should a pin position other than position 35 with the standard M lever be required or an L or XL lever size be required, proceed as follows:

- Fasten the follower pin (2) in the assigned lever hole (pin position as specified in the travel table). Only use the longer follower pin (2) included in the mounting kit.

- Place the lever (1) on the shaft of the positioner and fasten it tight using the disk spring (1.2) and nut (1.1).
  - Move lever once all the way as far as it will go in both directions.
5. Insert the molded seal (6.2) in the groove of the adapter bracket.
  6. Insert the molded seal (17.1) into the turnboard (17) and mount the turnboard to the adapter block (13) using the screws (17.2).
  7. Mount the blank plate (18) to the turnboard using the screws (18.1). Make sure that the seals are correctly seated.

---

### **i** Note

*A solenoid valve can also be mounted in place of the blank plate (18). The orientation of the turnboard (17) determines the mounting position of the solenoid valve. Alternatively, a restrictor plate can be mounted (► AB 11).*

---

8. Fasten the adapter block (13) to the NAMUR connection block using the screws (13.1).
9. Insert the vent plug into the Exh. connection.
10. Place the positioner on the adapter block (13) in such a manner that the follower pin (2) rests on the top of the follower plate (3, 3.1). Adjust the lever (1) correspondingly.  
Fasten the positioner to the adapter block (13) using the two fastening screws (6.3).

Make sure the molded seal (6.2) is properly seated.

1. For **single-acting actuators without air purging**, connect the Y1 port of the adapter block to the signal pressure connection of the actuator. Seal the Y2 port with a blanking plug.

For **double-acting actuators and actuators with air purging**, connect the Y2 port of the adapter block to the signal pressure connection of the second actuator chamber or spring chamber of the actuator.

### 5.6.5 Attachment according to VDI/VDE 3847-2

Attachment according to VDI/VDE 3847-2 for SRP (single-acting) and DAP (double-acting) rotary actuators in sizes 60 to 1200 with NAMUR interface and air purging of the actuator's spring chamber allows the direct attachment of the positioner without additional piping.

Additionally, the positioner can be replaced quickly while the process is running by blocking the air in single-acting actuators.

#### Blocking the actuator in place (see Fig. 5-15):

1. Unscrew the red retaining screw (1).
2. Turn the air blocker (2) on the bottom of the adapter block according to the inscription.

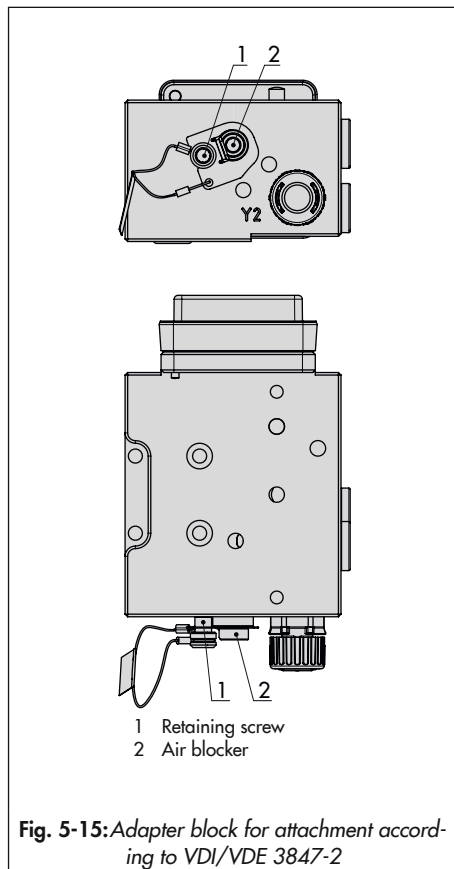


Fig. 5-15: Adapter block for attachment according to VDI/VDE 3847-2

### a) Version for single-acting actuator

#### Mounting on Type 31a Actuator (edition 2020+), SRP version

→ See Fig. 5-17

1. Seal the signal pressure output at the back of the positioner with the screw plug (4, order no. 0180-1254) and the associated O-ring (order no. 0520-0412) if the screw plug is not yet in place.
2. Fasten the adapter block (1) to the actuator's NAMUR interface using the four fastening screws (2).  
→ Make sure that the seals are correctly seated.
3. Mount the follower wheel (3) onto the actuator shaft. Use the matching shaft adapter (see Table 5-9 on page 5-43).
4. Place the adapter bracket (4) onto the adapter block (1) and fasten it using the fastening screws (5).  
→ Make sure that the seals are correctly seated.
5. Insert and fasten the follower pin in the 90° position on the positioner's lever (see Fig. 5-16). Only use the longer follower pin included in the mounting kit.
6. Align the positioner on the adapter bracket (1) in such a way that the follower pin engages into the actuator's follower wheel (3).

7. Fasten the positioner onto the adapter bracket (4) using the fastening screws (6).  
→ Make sure that the seals are correctly seated.

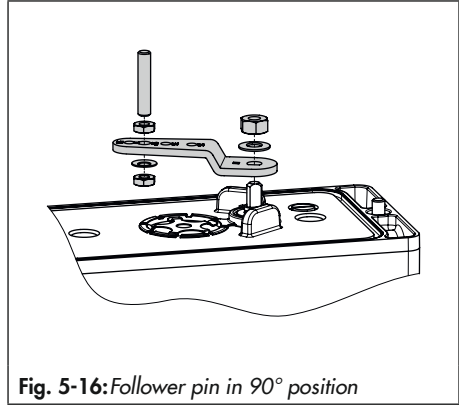
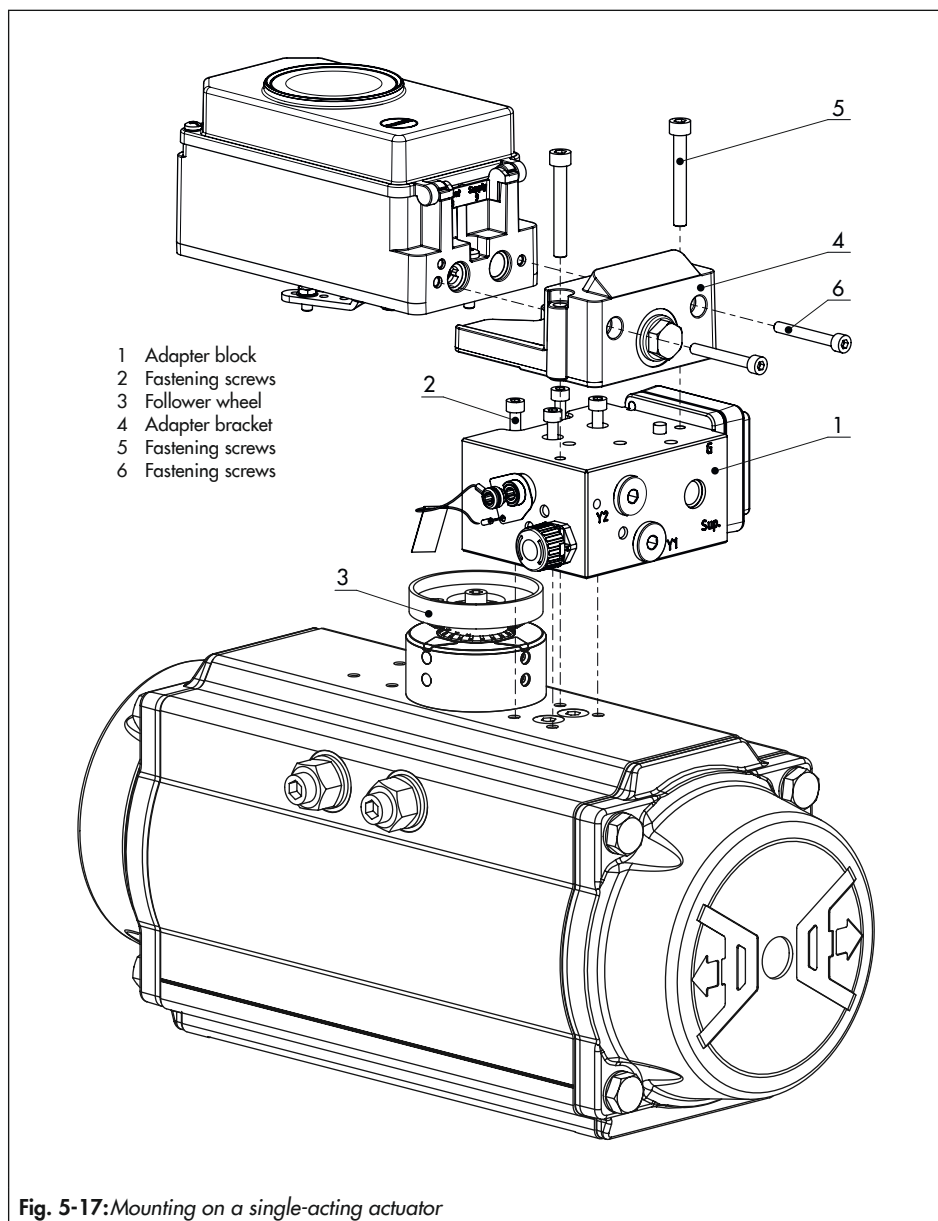


Fig. 5-16: Follower pin in 90° position



### b) Version for double-acting actuator

A reversing amplifier must be additionally mounted for applications with double-acting (DAP) actuators or applications with single-acting (SAP) actuators that include partial stroke testing.

In this case, a special adapter bracket (4) is required for mounting.

➔ See Fig. 5-19.

1. Seal the signal pressure output at the back of the positioner with the screw plug (4, order no. 0180-1254) and the associated O-ring (order no. 0520-0412) if the screw plug is not yet in place.
2. Fasten the adapter block (1) to the actuator's NAMUR interface using the four fastening screws (2). Make sure the seals are correctly seated.
3. Mount the follower wheel (3) onto the actuator shaft. Use the matching adapter (see Table 5-9 on page 5-43).
4. Place the adapter bracket (4) onto the adapter block (1) and fasten it using the fastening screws (5). Make sure the seals are correctly seated.
5. Insert and fasten the follower pin into the 90° position on the positioner's lever (see Fig. 5-16 on page 5-20).
6. Align the positioner on the adapter bracket (1) in such a way that the follower pin engages into the actuator's follower wheel (3).
7. Fasten the positioner onto the adapter bracket (4) using the fastening screws (6).
8. Mount the Type 3710 Reversing Amplifier (7) together with the two guide bushings (8) and terminal plate (9) onto the adapter bracket using the associated fastening screws (10). Make sure the seals are correctly seated.
9. Remove the vent plug at the adapter block and seal the opening with the G 1/4 screw plug.
10. Mount the turnboard marked '**Doppel**' for double-acting actuators or the turnboard marked '**PST**' for single-acting actuators with partial stroke testing. See Fig. 5-18. Make sure the seals are correctly seated.

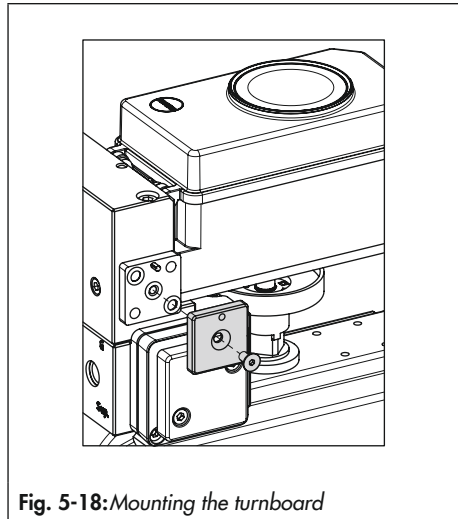
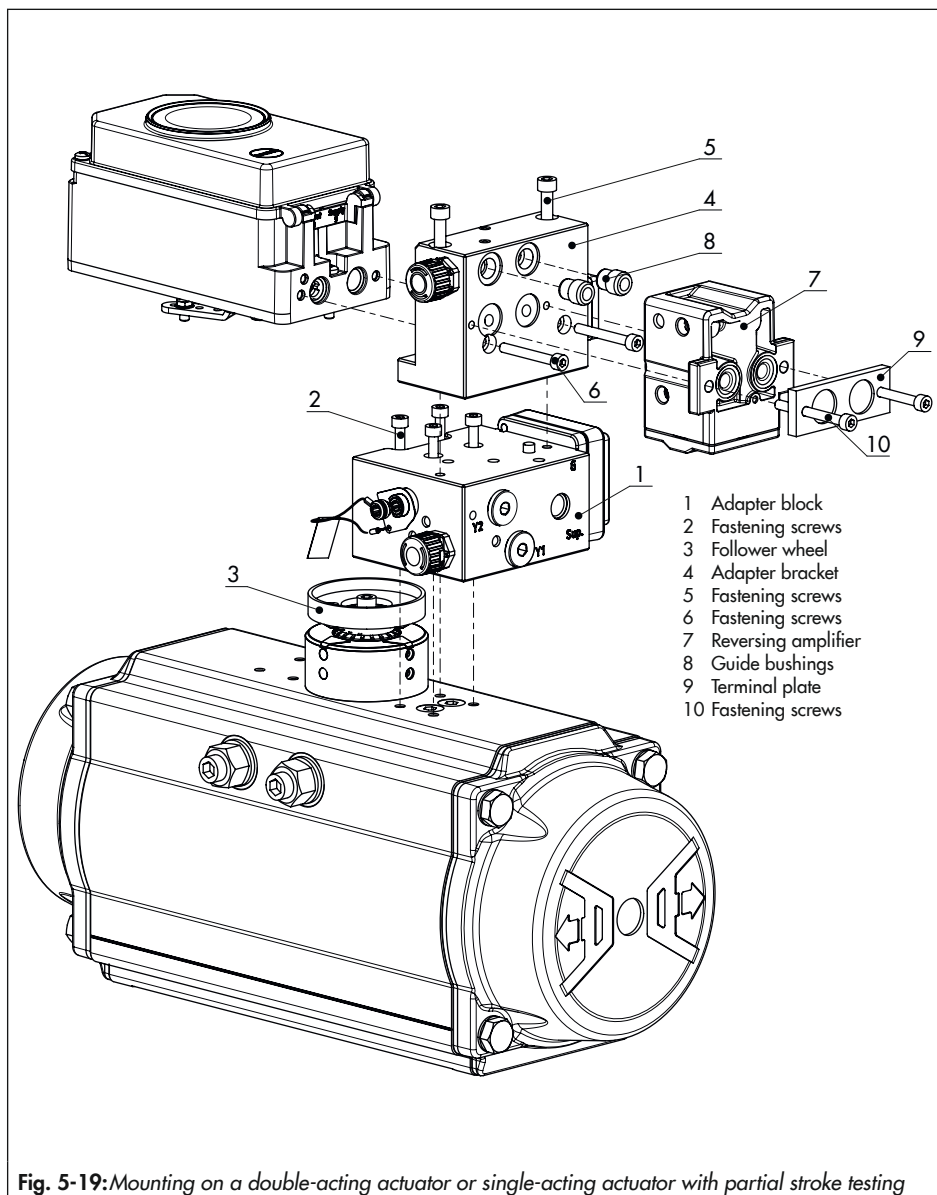


Fig. 5-18: Mounting the turnboard



### Intermediate plate for AA4 interface

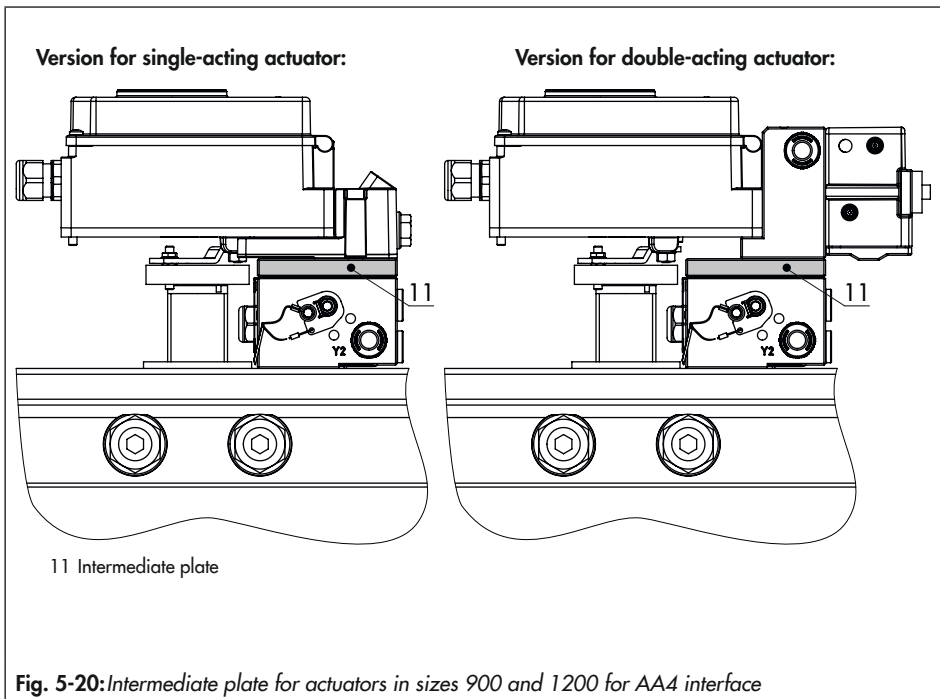
→ See Fig. 5-20.

An intermediate plate (1) must be mounted between the adapter block and adapter bracket for SRP and DAP rotary actuators in sizes 900 and 1200 with AA4 interface. This plate is included in the accessories for the shaft adapter AA4 (see Table 5-9 on page 5-43).

### Mounting a solenoid valve

→ See Fig. 5-21.

A solenoid valve (12) can also be mounted in place of the blank plate (18). The orientation of the turnboard (14) determines the mounting position of the solenoid valve. Alternatively, a restrictor plate can be mounted. Further information can be found in the document ► AB 11 (Accessories for Solenoid Valves).





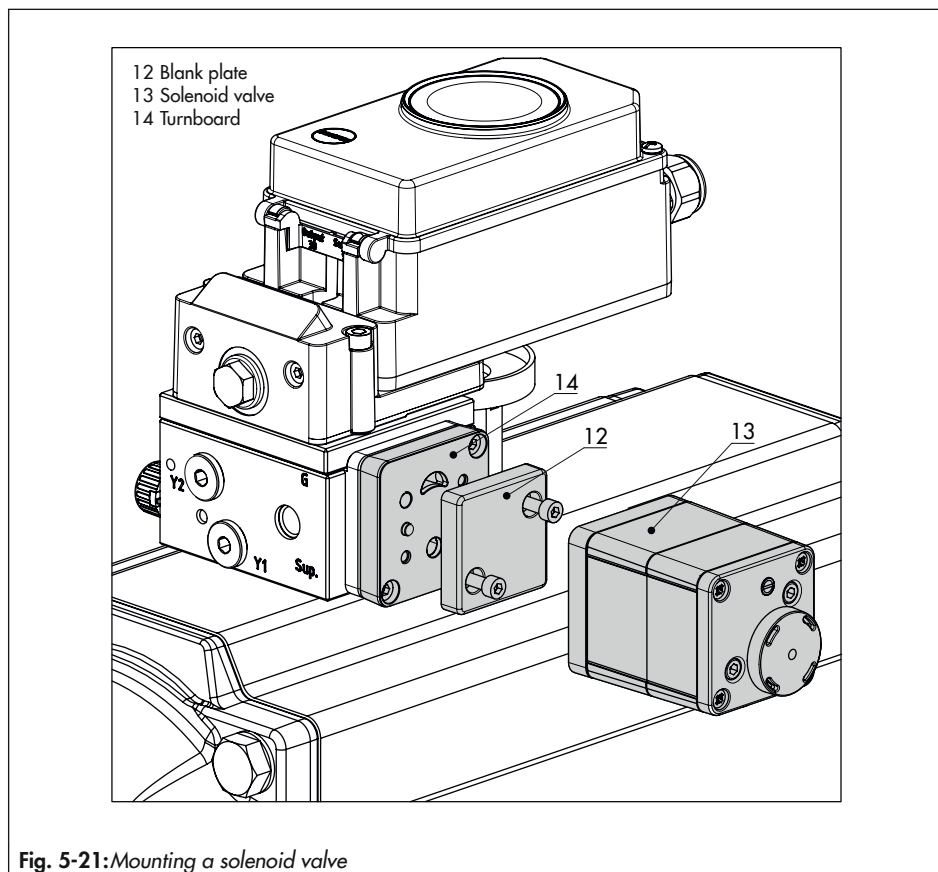


Fig. 5-21: Mounting a solenoid valve

### 5.6.6 Attachment according to VDI/VDE 3845

- ➔ See Fig. 5-23
- ➔ Required mounting parts and accessories: Table 5-10 on page 5-43.
- ➔ Observe travel tables on page 5-4.

The positioner is mounted to the rotary actuator using two pairs of brackets.

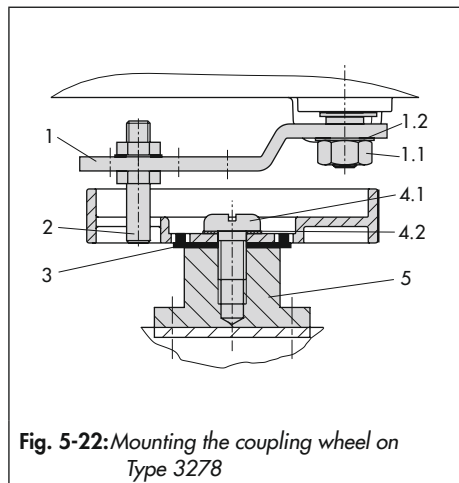
Prior to attaching the positioner to the SAMSON Type 3278 Rotary Actuator, mount the associated adapter (5) to the free end of the rotary actuator shaft.

**i Note**

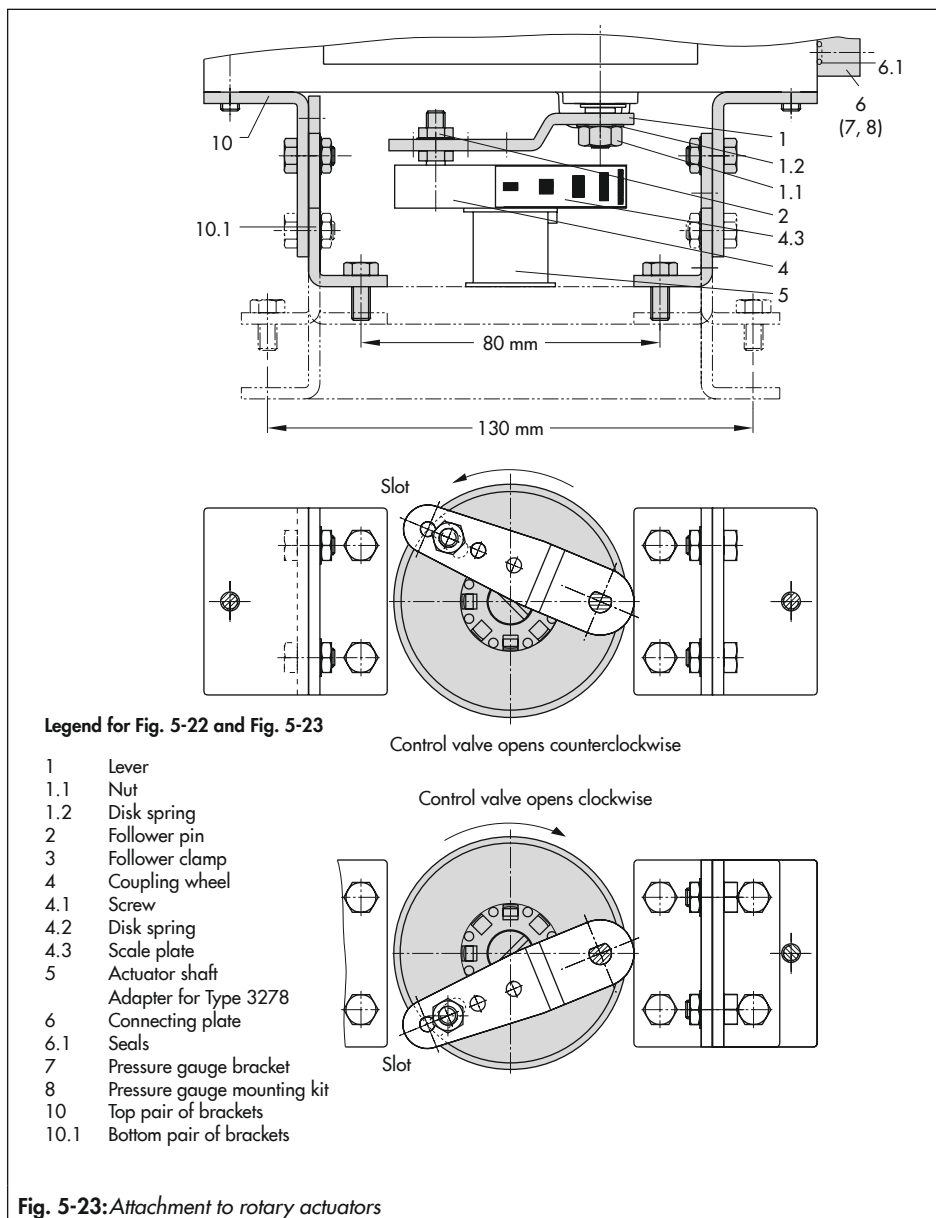
*On attaching the positioner as described below, it is imperative that the actuator's direction of rotation is observed.*

1. Place follower clamp (3) on the slotted actuator shaft or spacer (5).
2. Place coupling wheel (4) with flat side facing the actuator on the follower clamp (3). Align slot so that it matches the direction of rotation when the valve is in its closed position (see Fig. 5-23).
3. Fasten the coupling wheel (4) and follower clamp (3) tightly onto the actuator shaft using screw (4.1) and disk spring (4.2).
4. Fasten the bottom pair of brackets (10.1) with the bends pointing either facing to the inside or to the outside (depending on the actuator size) onto the actuator housing. Position the top pair of brackets (10) and fasten.

5. Mount connecting plate (6) or pressure gauge bracket (7) with pressure gauges on the positioner. Make sure that the two seals (6.1) are seated properly. Double-acting springless rotary actuators require the use of a reversing amplifier on the connection side of the positioner housing (see Chapter 5.6.7).
6. Unscrew the standard follower pin (2) from the positioner's M lever (1). Use the metal follower pin (Ø 5 mm) included in the mounting kit and screw tight into the hole for pin position 90°.
7. Place positioner on the top bracket (10) and fasten tight. Taking the actuator's direction of rotation into account, adjust lever (1) so that it engages in the slot of the coupling wheel (4) with its follower pin (Fig. 5-23). It must be guaranteed that the lever (1) is parallel to the long side of the positioner when the actuator is at half its angle of rotation.



**Fig. 5-22:** Mounting the coupling wheel on Type 3278



8. Stick the scale plate (4.3) on the coupling wheel so that the arrow tip indicates the closed position and it can be easily read when the valve is installed.

### a) Heavy-duty version

#### **i** Note

We recommend using a volume restriction (see Chapter 5.5) for actuators with a volume of less than 300 cm<sup>3</sup>.

→ See Fig. 5-25

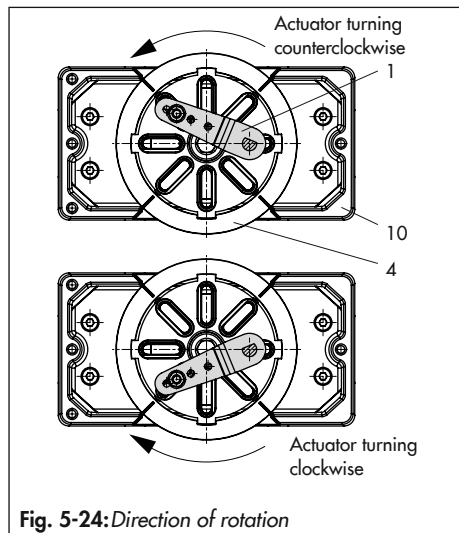
→ Required mounting parts and accessories: Table 5-10 on page 5-43.

Both mounting kits contain all the necessary mounting parts. The parts for the actuator size used must be selected from the mounting kit.

Prepare actuator and mount possibly required adapter supplied by the actuator manufacturer.

1. Seal the signal pressure output at the back of the positioner with the screw plug (4, order no. 0180-1254) and the associated O-ring (order no. 0520-0412) if the screw plug is not yet in place.
2. Mount the housing (10) onto the rotary actuator. In case of VDI/VDE attachment, place spacers (11) underneath, if necessary.

3. For **SAMSON Type 3278 and VETEC S160 Rotary Actuators**, fasten the adapter (5) onto the free end of the shaft and for **VETEC R Actuator**, place on the adapter (5.1). For **Type 3278, VETEC S160** and **VETEC R Actuators**, place on the adapter (3). For **Type 3278, VETEC S160** and **VETEC R Actuators**, place on the adapter (3). For VDI/VDE version, this step depends on the actuator size.
4. Stick adhesive label (4.3) onto the coupling in such a manner that the yellow part of the sticker is visible in the window of the housing when the valve is OPEN. Adhesive labels with explanatory symbols are enclosed and can be stuck on the housing, if required.
5. Fasten coupling wheel (4) on the slotted actuator shaft or adapter (3) using screw (4.1) and disk spring (4.2).



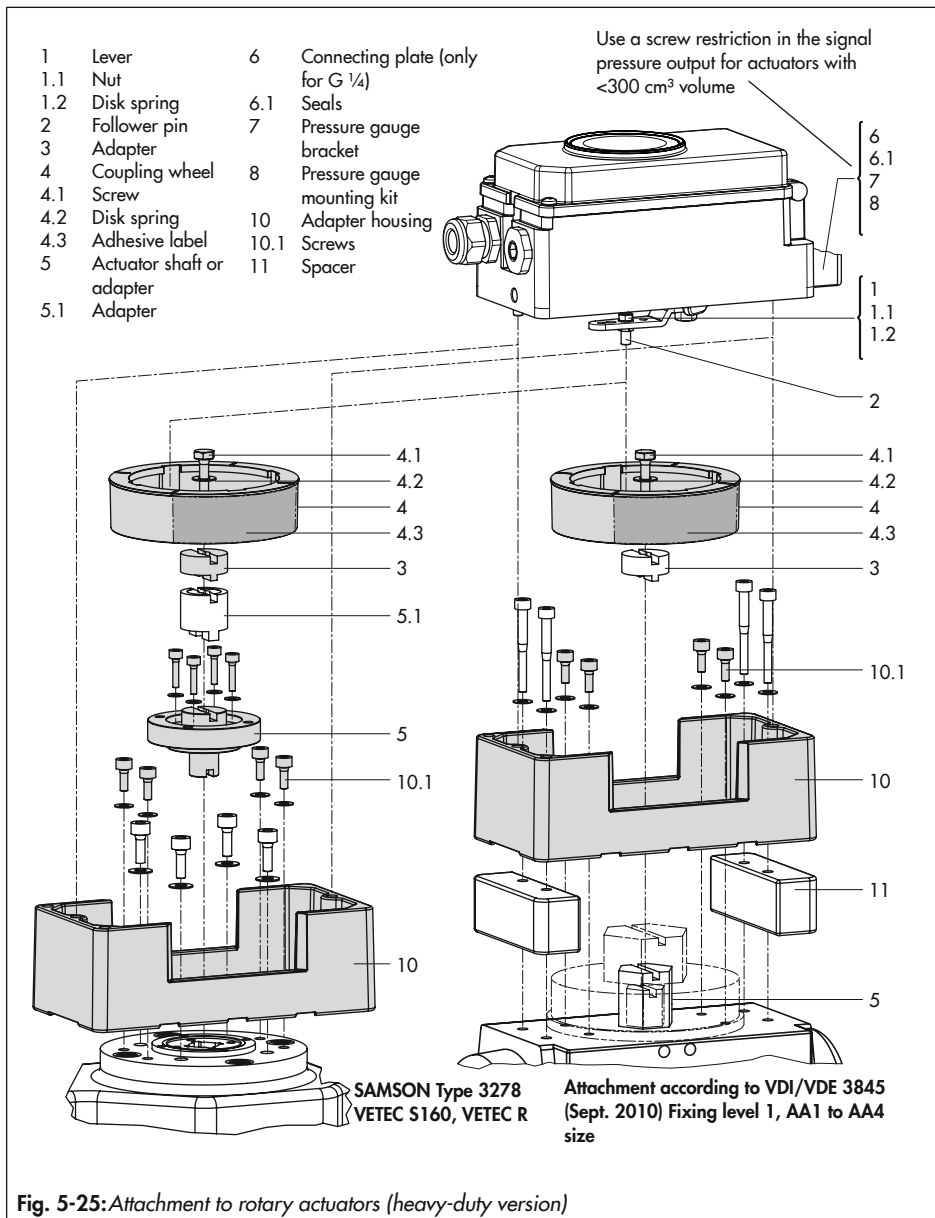


Fig. 5-25: Attachment to rotary actuators (heavy-duty version)

6. Unscrew the standard follower pin (2) from the positioner's M lever (1). Attach the follower pin (Ø5 mm) included in the mounting kit to pin position 90°.
7. Mount connecting plate (6) for required G ¼ connecting thread or pressure gauge bracket (7) with pressure gauges on the positioner. Make sure that the two seals (6.1) are seated properly. Double-acting springless rotary actuators require the use of a reversing amplifier on the connection side of the positioner housing (see Chapter 5.6.7).
8. Place positioner on housing (10) and screw it tight. Taking the actuator's direction of rotation into account, adjust lever (1) so that it engages in the correct slot with its follower pin (Fig. 5-24).

### 5.6.7 Reversing amplifier for double-acting actuators

For the use with double-acting actuators, the positioner must be fitted with a reversing amplifier:

→ SAMSON Type 3710 Reversing Amplifier,  
▶ EB 8392

#### The following applies to all reversing amplifiers:

The signal pressure of the positioner is supplied at the output 1 of the reversing amplifier. An opposing pressure, which equals the required supply pressure (Z) when added to the pressure at output 1, is applied at output 2.

The following relationship applies:

**output 1 + output 2 = Supply pressure (Z).**

Connect output 1 to the signal pressure connection on the actuator that causes the valve to open when the pressure rises.

Connect output 2 to the signal pressure connection on the actuator that causes the valve to close when the pressure rises.

### 5.6.8 Attaching positioners with stainless steel housings

Positioners with stainless steel housings require mounting parts that are completely made of stainless steel or free of aluminum.

**i Note**

The pneumatic connecting plate and pressure gauge bracket are available in stainless steel (order numbers listed below). The Type 3710 Pneumatic Reversing Amplifier is also available in stainless steel.

Connecting plate (stainless steel)	G ¼ ¼ NPT	1400-7476 1400-7477
Pressure gauge bracket (stainless steel)	G ¼ ¼ NPT	1402-0265 1400-7108

Table 5-4 to Table 5-10 apply for attaching positioners with stainless steel housings with the following restrictions:

**Direct attachment**

All mounting kits from Table 5-5 and Table 5-6 can be used. The connection block is not required. The stainless steel version of the pneumatic connecting plate routes the air internally to the actuator.

**Attachment according to IEC 60534-6 (NAMUR rib or attachment to rod-type yokes)**

All mounting kits from Table 5-7 can be used. Connecting plate in stainless steel.

**Attachment to rotary actuators**

All mounting kits from Table 5-10 can be used except for the heavy-duty version. Connecting plate in stainless steel.

**5.6.9 Air purging function for single-acting actuators**

The instrument air leaving the positioner is diverted to the actuator spring chamber to provide corrosion protection inside the actuator. Observe the following:

**Direct attachment to Type 3277-5 (stem extends FA/stem retracts FE)**

The air purging function is automatically provided.

**Direct attachment to Type 3277, 175 to 750 cm<sup>2</sup>**

**Stem extends:** remove the stopper (12.2, Fig. 5-9) at the black connection block and make a pneumatic connection to the spring chamber on the vented side.

**Stem retracts:** the air purging function is automatically provided.

**Attachment according to IEC 60534-6 (NAMUR rib or attachment to rod-type yokes) and to rotary actuators**

The positioner requires an additional port for the exhaust air that can be connected over piping. An adapter available as an accessory is used for this purpose:

Threaded bushing (M20x1.5)	G ¼ ¼ NPT	0310-2619 0310-2550
----------------------------	--------------	------------------------

**i Note**

The adapter uses one of the M20x1.5 connections in the housing which means **only one** cable gland can be installed.

## Installation

Should other valve accessories be used which vent the actuator (e.g. solenoid valve, volume booster, quick exhaust valve), this exhaust air must also be included in the purging function. The connection over the adapter at the positioner must be protected with a check valve (e.g. screw fitting with restriction G 1/4, order no. 1991-5777) or 1/4 NPT (order no. 1992-3178) mounted in the piping. Otherwise the pressure in the positioner housing would rise above the ambient pressure and damage the positioner when the exhausting components respond suddenly.

### 5.7 Pneumatic connections

#### **⚠ WARNING**

**Risk of injury by possible movement of exposed parts (positioner, actuator or valve) after connecting the signal pressure.**

→ Do not touch or block exposed moving parts.

#### **ⓘ NOTICE**

**Incorrect connection of the supply air will damage the positioner and will lead to malfunction.**

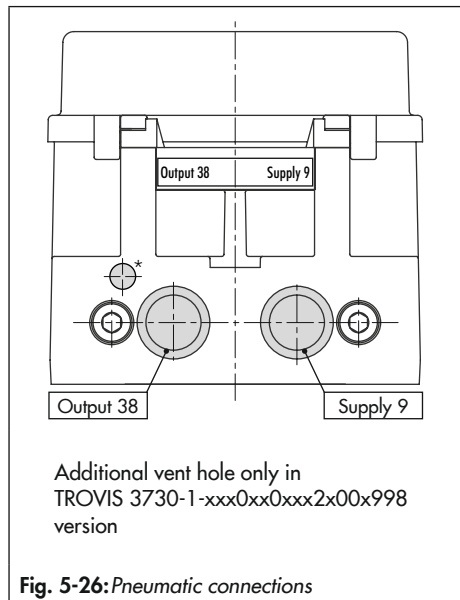
→ Screw the screw fittings into the connecting plate, pressure gauge mounting block or connection block from the accessories.

The pneumatic ports are located on the back of the positioner.

#### **ⓘ NOTICE**

**Risk of malfunction due to failure to comply with air quality requirements.**

- Only use supply air that is dry and free of oil and dust.
- Read the maintenance instructions for upstream pressure reducing stations.
- Blow through all air pipes and hoses thoroughly before connecting them.



**Fig. 5-26:** Pneumatic connections



## 5.7.1 Supply air

### WARNING

**Sudden loud noise when the pneumatic actuator vents.**

→ Wear hearing protection when working near the valve.

### NOTICE

**Risk of malfunction due to incorrect sequence of mounting, installation and start-up.**

- Observe the following sequence.
1. Remove the protective caps from the pneumatic connections.
  2. Mount the positioner on the valve.
  3. Connect the supply air.
  4. Connect the electrical power.
  5. Perform settings.

The pneumatic connections in the connecting plate, pressure gauge mounting block and connection block are optionally designed as a bore with ¼ NPT or G ¼ thread. Customary fittings for metal or copper tubing or plastic hoses can be used.

→ Read instructions in Chapter 5.7.

## 5.7.2 Signal pressure connection

The signal pressure connection depends on how the positioner is mounted onto the actuator:

### Type 3277 Actuator

→ The signal pressure connection is fixed.

### Attachment according to IEC 60534-6 (NAMUR)

- For "actuator stem retracts" fail-safe action: connect the signal pressure to the connection on top of the actuator.
- For "actuator stem extends" fail-safe action: connect the signal pressure to the connection on bottom of the actuator.

### Rotary actuators (heavy-duty version)

→ For rotary actuators, the manufacturer's specifications for connection apply.

## 5.7.3 Signal pressure reading

### Tip

To monitor the supply air and signal pressure, we recommend mounting pressure gauges (see accessories in Chapter 5.9).

### Mounting the pressure gauges:

→ See Chapter 5.6.2 and Fig. 5-10.

### 5.7.4 Supply pressure

The required supply air pressure depends on the bench range and the actuator's direction of action (fail-safe action).

The bench range is written on the nameplate either as the bench range or signal pressure range depending on the actuator. The direction of action is marked FA or FE or by a symbol.

#### Actuator stem extends FA (AIR TO OPEN)

Fail-close (for globe and angle valves):

→ Required supply pressure = Upper bench range value + 0.2 bar, at least 1.4 bar.

#### Actuator stem retracts FE (AIR TO CLOSE)

Fail-open (for globe and angle valves):

For tight-closing valves, the maximum signal pressure  $p_{st_{max}}$  is roughly estimated as follows:

$$p_{st_{max}} = F + \frac{d^2 \cdot \pi \cdot \Delta p}{4 \cdot A} \quad [\text{bar}]$$

d = Seat diameter [cm]

$\Delta p$  = Differential pressure across the valve [bar]

A = Actuator area [cm<sup>2</sup>]

F = Upper bench range value of the actuator [bar]

**If there are no specifications, calculate as follows:**

→ Required supply pressure = Upper bench range value + 1 bar

### 5.8 Electrical connections

---

#### **⚠ DANGER**

**Risk of fatal injury due to the formation of an explosive atmosphere.**

→ For installation in hazardous areas, observe the relevant standards that apply in the country of use.

Standard applicable in Germany:

EN 60079-14 (VDE 0165, Part 1) Explosive Atmospheres – Electrical Installations Design, Selection and Erection.

---

#### **⚠ WARNING**

**Sudden loud noise when the pneumatic actuator vents.**

→ Wear hearing protection when working near the valve.

---

#### **⚠ WARNING**

**Incorrect electrical connection will render the explosion protection unsafe.**

→ Adhere to the terminal assignment.

→ Do not undo the enameled screws.

→ Do not exceed the maximum permissible values specified in the EC type examination certificates when interconnecting intrinsically safe electrical equipment ( $U_i$  or  $U_o$ ,  $I_i$  or  $I_o$ ,  $P_i$  or  $P_o$ ,  $C_i$  or  $C_o$  and  $L_i$  or  $L_o$ ).

---

#### Selecting cables and wires

→ Observe the relevant clauses of EN 60079-14 for installation of intrinsically safe circuits.

- Seal cable entries left unused with plugs.
- Fit equipment used in ambient temperatures below  $-20\text{ }^{\circ}\text{C}$  with metal cable entries.

### Equipment with type of protection Ex nA

In equipment operated according to type of protection Ex nA (non-sparking equipment), circuits may be connected, interrupted or switched while energized only during installation, maintenance or repair.

Use certified cable glands and blanking plugs with appropriate type of protection and IP rating  $\geq 6X$  and suitable for the certified temperature range.

The signal circuit is connected using screw terminals (terminal 11/12) for electrical conductors with a wire cross-section from 0.2 to 2.5 mm<sup>2</sup>. The tightening torque is 0.5 to 0.6 Nm.

### Equipment with type of protection Ex t

In equipment operated according to type of protection Ex t (protection by enclosure), circuits may be connected, interrupted or switched while energized only during installation, maintenance or repair.

Opening the enclosure cover in potentially explosive dust atmospheres during operation may cause the explosion protection to become ineffective.

Use certified cable glands and blanking plugs with appropriate type of protection and IP rating  $\geq 6X$  and suitable for the certified temperature range.

The signal circuit is connected using screw terminals (terminal 11/12) for electrical con-

ductors with a wire cross-section from 0.2 to 2.5 mm<sup>2</sup>. The tightening torque is 0.5 to 0.6 Nm.

## 5.8.1 Cable entry with cable gland

The housing of the TROVIS 3730-1 Positioner has two threaded boreholes, which can be fitted with cable glands as required.

- The cable gland version depends on the ambient temperature range (see technical data in the 'Design and principle of operation' chapter).
- The screw terminals are designed for wire cross-sections of 0.2 to 2.5 mm<sup>2</sup> (tightening torque 0.5 Nm).
- Connect **one** current source at the maximum.

In general, it is not necessary to connect the positioner to a bonding conductor. Should this be required, however, this conductor can be connected inside or outside of the device.

## 5.8.2 Electrical power

### ⚠ NOTICE

**Risk of malfunction due to incorrect sequence of mounting, installation and start-up.**

- *Observe the following sequence.*
  1. *Remove the protective caps from the pneumatic connections.*
  2. *Mount the positioner on the valve.*
  3. *Connect the supply air.*
  4. *Connect the electrical power.*
  5. *Perform settings.*

## Installation

- Connect options as shown in Fig. 5-28 to Fig. 5-30, if necessary.
- Connect the electrical power (mA signal) as shown in Fig. 5-27.

### 5.8.3 Switching amplifier according to EN 60947-5-6

For operation of the limit contacts, switching amplifiers must be connected in the output circuit. They must comply with the limit values of the output circuits conforming to EN 60947-5-6.

- Observe the relevant regulations for installation in hazardous areas.

For applications in safe areas (non-hazardous areas), software limit contacts can be directly interconnected to the binary input of the PLC in accordance with IEC 61131. This applies to the standard operating range for digital inputs according to Clause 5.2.1.2 of IEC 61131-2 with the rated voltage of 24 V DC.

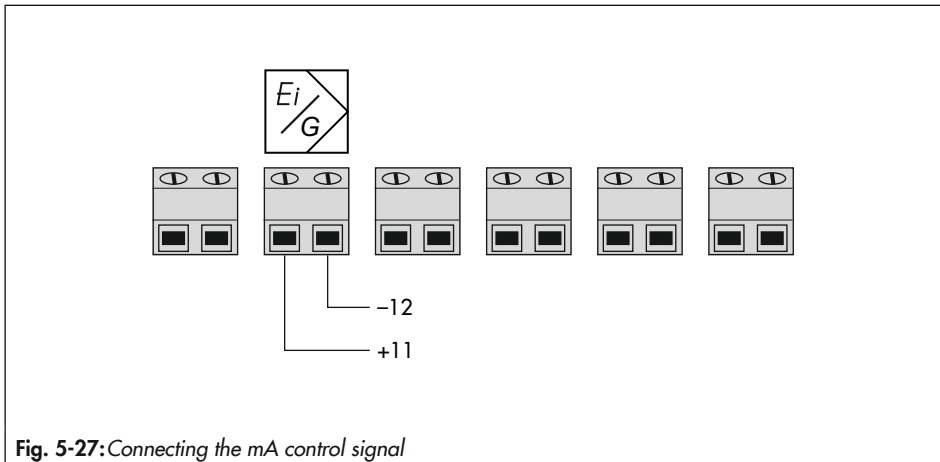


Fig. 5-27: Connecting the mA control signal

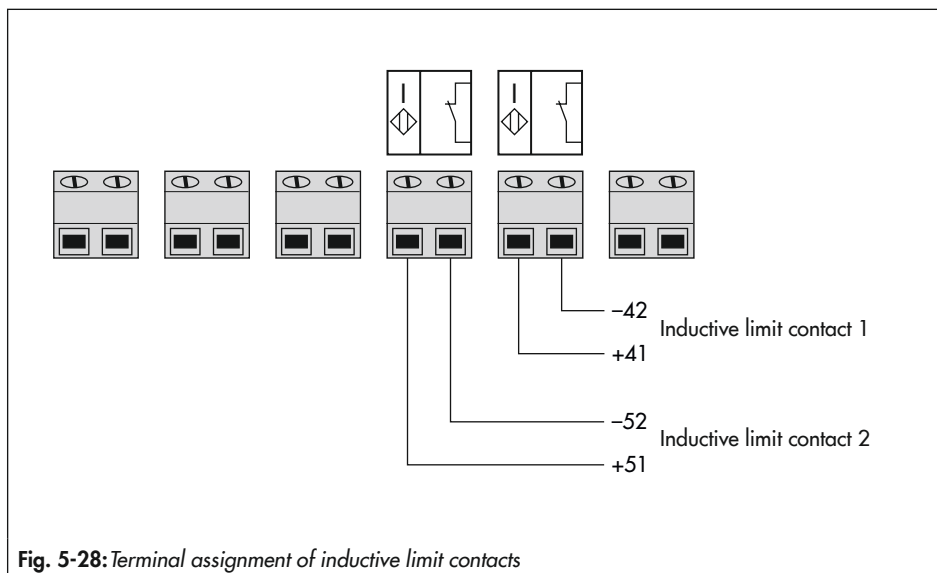


Fig. 5-28: Terminal assignment of inductive limit contacts

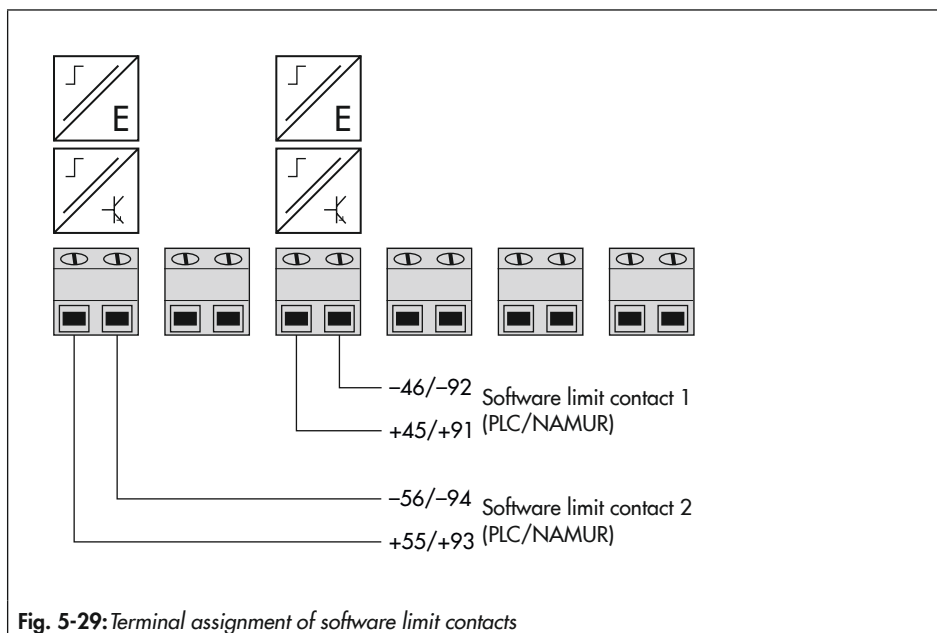


Fig. 5-29: Terminal assignment of software limit contacts

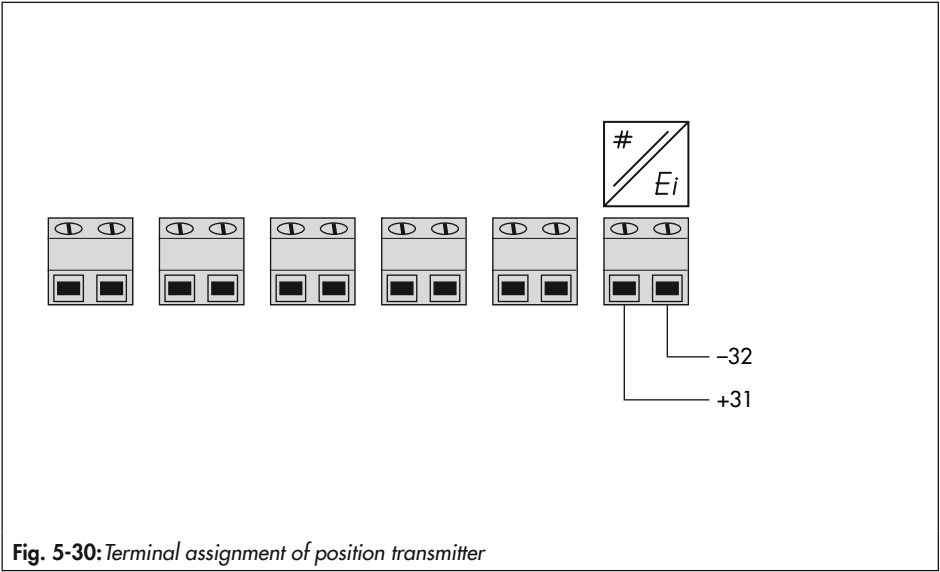


Fig. 5-30: Terminal assignment of position transmitter

## 5.9 Accessories

**Table 5-4:** *General accessories*

Designation	Order no.	
Reversing amplifier for double-acting actuators	Type 3710	
Cable gland M20x1.5	Black plastic (6 to 12 mm clamping range)	8808-1011
	Blue plastic (6 to 12 mm clamping range)	8808-1012
	Nickel-plated brass (6 to 12 mm clamping range)	1890-4875
	Nickel-plated brass (10 to 14 mm clamping range)	1992-8395
	Stainless steel 1.4305 (8 to 14.5 mm clamping range)	8808-0160
Adapter M20x1.5 to ½ NPT	Powder-coated aluminum	0310-2149
	Stainless steel	1400-7114
M lever	0510-0510	
L lever	0510-0511	
XL lever	0510-0512	
XXL lever	0510-0525	
Volume restriction	For mounting on the connection block	100041955
	For mounting on the connecting plate/pressure gauge bracket	100041162
Isolated USB interface adapter (SSP interface to USB port on a computer)	1400-9740	
TROVIS-VIEW 6661 ( <a href="http://www.samsongroup.com">www.samsongroup.com</a> > SERVICE & SUPPORT > Downloads > TROVIS-VIEW)		

**Table 5-5:** Direct attachment to Type 3277-5 (see Chapter 5.6.1 a))

Designation		Order no.	
Mounting parts	Standard version for actuators 120 cm <sup>2</sup> or smaller	1400-7452	
	Version compatible with paint for actuators 120 cm <sup>2</sup> or smaller	1402-0940	
Accessories for actuator	Old switchover plate for Type 3277-5xxxxxx. <b>00</b> Actuator (old)	1400-6819	
	New switchover plate for Type 3277-5xxxxxx. <b>01</b> Actuator (new) <sup>1)</sup>	1400-6822	
	New connecting plate for Type 3277-5xxxxxx. <b>01</b> Actuator (new) <sup>1)</sup> , G 1/8 and 1/8 NPT	1400-6823	
	Old connecting plate for Type 3277-5xxxxxx. <b>00</b> Actuator (old): G 1/8	1400-6820	
	Old connecting plate for Type 3277-5xxxxxx. <b>00</b> (old): 1/8 NPT	1400-6821	
Accessories for positioner	Connecting plate (6)	G 1/4	1400-7461
		1/4 NPT	1400-7462
	Pressure gauge bracket (7)	G 1/4	1400-7458
		1/4 NPT	1400-7459
	Pressure gauge mounting kit (8) up to max. 6 bar	Stainless steel/brass	1402-1637
		Stainless steel/stainless steel	1402-1638

<sup>1)</sup> Only new switchover and connecting plates can be used with new actuators (Index 01). Old and new plates are not interchangeable.



**Table 5-6:** Direct attachment to Type 3277 (see Chapter 5.6.1 b))

Mounting parts/accessories		Order no.
Standard version for actuators 175, 240, 350, 355, 700, 750 cm <sup>2</sup>		1400-7453
Version compatible with paint for actuators 175, 240, 350, 355, 700, 750 cm <sup>2</sup>		1402-0941
Connection block with seals and screw	G ¼	1400-8819
	¼ NPT	1402-0901
Pressure gauge mounting kit up to max. 6 bar	Stainless steel/brass	1402-1637
	Stainless steel/stainless steel	1402-1638
Volume restriction for connection block (recommended for <240 cm <sup>2</sup> )		100041955
Piping with screw fittings <sup>1)</sup>		Order no.
Actuator (175 cm <sup>2</sup> ), steel	G ¼/G ¾	1402-0970
	¼ NPT/¾ NPT	1402-0976
Actuator (175 cm <sup>2</sup> ), stainless steel	G ¼/G ¾	1402-0971
	¼ NPT/¾ NPT	1402-0978
Actuator (240 cm <sup>2</sup> ), steel	G ¼/G ¾	1400-6444
	¼ NPT/¾ NPT	1402-0911
Actuator (240 cm <sup>2</sup> ), stainless steel	G ¼/G ¾	1400-6445
	¼ NPT/¾ NPT	1402-0912
Actuator (350 cm <sup>2</sup> ), steel	G ¼/G ¾	1400-6446
	¼ NPT/¾ NPT	1402-0913
Actuator (350 cm <sup>2</sup> ), stainless steel	G ¼/G ¾	1400-6447
	¼ NPT/¾ NPT	1402-0914
Actuator (355 cm <sup>2</sup> ), steel	G ¼/G ¾	1402-0972
	¼ NPT/¾ NPT	1402-0979
Actuator (355 cm <sup>2</sup> ), stainless steel	G ¼/G ¾	1402-0973
	¼ NPT/¾ NPT	1402-0980
Actuator (700 cm <sup>2</sup> ), steel	G ¼/G ¾	1400-6448
	¼ NPT/¾ NPT	1402-0915
Actuator (700 cm <sup>2</sup> ), stainless steel	G ¼/G ¾	1400-6449
	¼ NPT/¾ NPT	1402-0916
Actuator (750 cm <sup>2</sup> ), steel	G ¼/G ¾	1402-0974
	¼ NPT/¾ NPT	1402-0981
Actuator (750 cm <sup>2</sup> ), stainless steel	G ¼/G ¾	1402-0975
	¼ NPT/¾ NPT	1402-0982

<sup>1)</sup> For "actuator stem retracts" direction of action;  
with air purging of the top diaphragm chamber;  
air purging of the diaphragm chamber for "actuator stem extends" direction of action

**Table 5-7:** Attachment to NAMUR rib or attachment to rod-type yokes <sup>1)</sup> according to IEC 60534-6 (Chapter 5.6.2)

Travel in mm	Lever	For actuator	Order no.
7.5	S	Type 3271-5 with 60/120 cm <sup>2</sup> on Type 3510 Micro-flow Valve	1402-0478
5 to 50	M <sup>2)</sup>	Actuators from other manufacturers and Type 3271 with 120 to 750 cm <sup>2</sup> effective areas	1400-7454
14 to 100	L	Actuators from other manufacturers and Type 3271 with 1000 and 1400-60 cm <sup>2</sup>	1400-7455
30 or 60	L	Type 3271, 1400-120 and 2800 cm <sup>2</sup> versions with 30/60 mm travel <sup>3)</sup>	1400-7466
		Mounting brackets for Emerson and Masoneilan linear actuators (in addition, a mounting kit according to IEC 60534-6 is required depending on the travel). See rows above.	1400-6771
		Valtek Type 25/50	1400-9554
<b>Accessories</b>			<b>Order no.</b>
Connecting plate		G ¼	1400-7461
		¼ NPT	1400-7462
Pressure gauge bracket		G ¼	1400-7458
		¼ NPT	1400-7459
Pressure gauge mounting kit up to max. 6 bar		Stainless steel/brass	1402-1637
		Stainless steel/stainless steel	1402-1638

<sup>1)</sup> 20 to 35 mm rod diameter

<sup>2)</sup> M lever is mounted on basic device (included in the scope of delivery)

<sup>3)</sup> In conjunction with Type 3273 Side-mounted Handwheel with 120 mm rated travel, additionally one bracket (0300-1162) and two countersunk screws (8330-0919) are required.

**Table 5-8:** Attachment according to VDI/VDE 3847-1 (see Chapter 5.6.4)

Mounting parts			Order no.
VDI/VDE 3847 interface adapter			1402-0257
Connecting plate, including connection for air purging of actuator spring chamber	Aluminum	ISO 228/1-G ¼	1402-0268
		¼-18 NPT	1402-0269
	Stainless steel	ISO 228/1-G ¼	1402-0270
		¼-18 NPT	1402-0271
Mounting kit for attachment to SAMSON Type 3277 Actuator with 175 to 750 cm <sup>2</sup>			1402-0868
Mounting kit for attachment to SAMSON Type 3271 Actuator or third-party actuators			1402-0869
Travel pick-off for valve travel up to 100 mm			1402-0177
Travel pick-off for 100 to 200 mm valve travel (SAMSON Type 3271 Actuator only)			1402-0178

**Table 5-9: Attachment according to VDI/VDE 3847-2 (see Chapter 5.6.5)**

Designation		Order no.
Mounting parts	Mounting block for PFEIFFER Type 31a (edition 2020+) Rotary Actuators with blank plate for solenoid valve interface	1402-1645
	Blank plate for solenoid valve interface (sold individually)	1402-1290
	Adapter bracket for Series 3730 (VDI/VDE 3847)	1402-0257
	Adapter bracket for Series 3730 and Type 3710 (DAP/PST)	1402-1590
Accessories for actuator	Shaft adapter AA1	1402-1617
	Shaft adapter AA2	1402-1616
	Shaft adapter AA4	1402-1888

**Table 5-10: Attachment to rotary actuators (see Chapter 5.6.6)**

Mounting parts/accessories		Order no.	
Attachment according to VDI/VDE 3845 (September 2010), actuator surface corresponds to fixing level 1			
Size AA1 to AA4, version with CrNiMo steel bracket		1400-7448	
Size AA1 to AA4, heavy-duty version		1400-9244	
Size AA5, heavy-duty version (e.g. Air Torque 10 000)		1400-9542	
Bracket surface corresponds to fixing level 2, heavy-duty version		1400-9526	
Attachment for rotary actuators with max. 180° opening angle, fixing level 2		1400-8815 and 1400-9837	
Attachment to SAMSON Type 3278 with 160/320 cm <sup>2</sup> , CrNiMo steel bracket		1400-7614	
Attachment to SAMSON Type 3278 with 160 cm <sup>2</sup> and to VETEC Type S160, Type R and Type M, heavy-duty version		1400-9245	
Attachment to SAMSON Type 3278 with 320 cm <sup>2</sup> and to VETEC Type S320, heavy-duty version		1400-5891 and 1400-9526	
Attachment to Camflex II		1400-9120	
Accessories	Connecting plate	G ¼ ¼ NPT	1400-7461 1400-7462
	Pressure gauge bracket	G ¼	1400-7458
		¼ NPT	1400-7459
	Pressure gauge mounting kit up to max. 6 bar	Stainless steel/brass	1402-1637
		Stainless steel/stainless steel	1402-1638
	Volume restriction for connection block (recommended for actuators with <300 cm <sup>3</sup> volume)		100041162

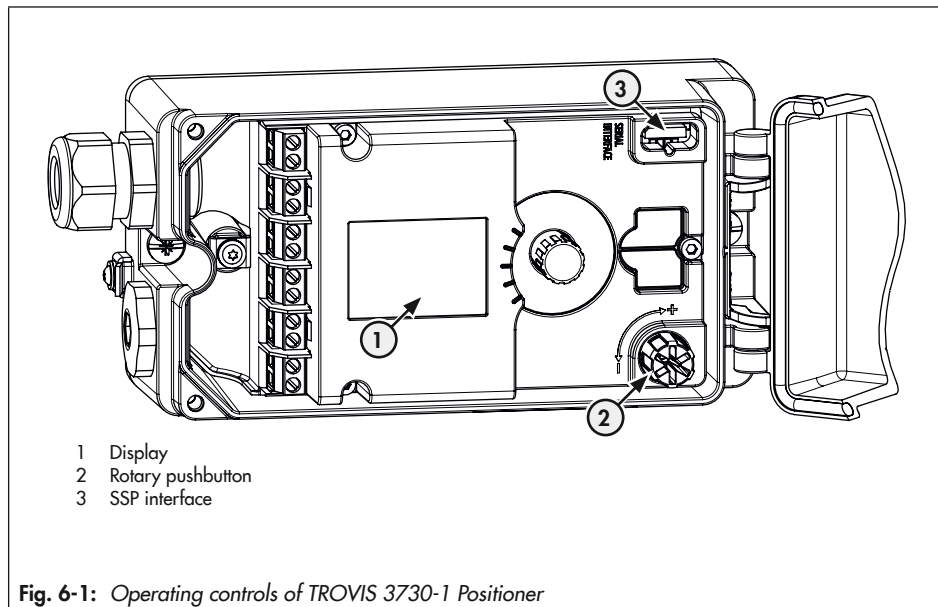


## 6 Operation

### ⚠ WARNING

**Sudden loud noise when the pneumatic actuator vents.**

→ Wear hearing protection when working near the valve.



### 6.1 Rotary pushbutton

The rotary pushbutton for on-site operation is located next to the display (bottom right or top left, depending on the mounting position).

- ⊗ Turn: select parameter codes and values.
- ⊗ Press: confirm setting.
- ⊗ Press and hold for 3 s: execute function or start test.

## 6.2 Display

Readings appear on the positioner display (see Fig. 6-2) immediately after the electrical power supply (mA control signal) has been connected.

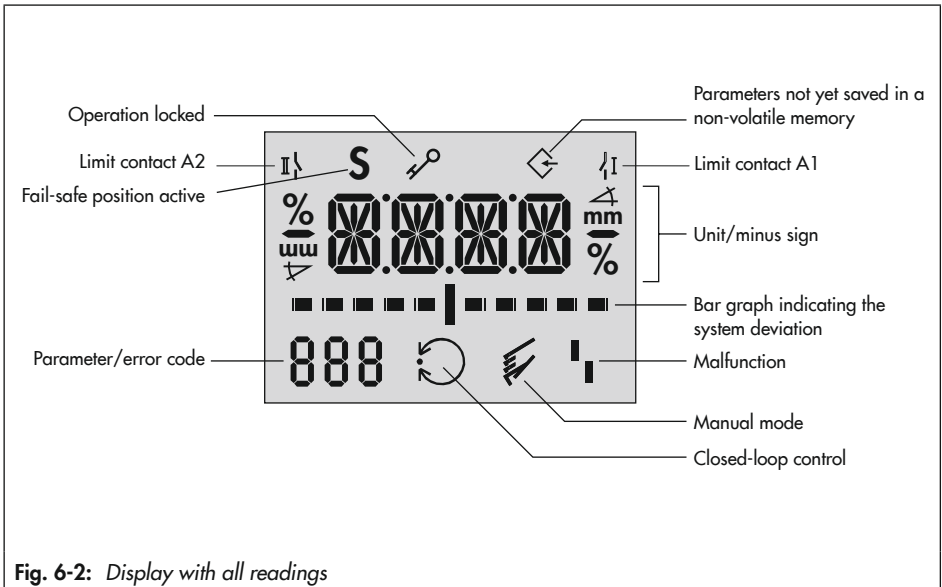
**i Note**

**LOW** on the display indicates that the set point is lower than 3.8 mA.







**HIGH** on the display indicates that the set point is higher than 22 mA.

The bar elements indicate the system deviation that depends on the sign (+/-) and the value. One bar element appears per 1 % set point deviation. If the positioner has not yet been initialized, the lever position in degrees in relation to the mid-position is indicated. One bar element corresponds to approximately a 5° angle of rotation.

Table 6-1 lists the meanings of the indicated icons.



**Table 6-1:** *Display icons*

Icon	Meaning	Description
	Normal operation	The positioner is in closed-loop operation and follows the mA signal.
	Manual mode	The positioner follows the manual set point instead of the mA signal.
	SAFE (fail-safe position)	The positioner vents the pneumatic actuator at its pneumatic output.
	Configuration changed	Parameter have not yet been saved in a non-volatile memory (procedure to save in a non-volatile memory described in the 'Start-up and configuration' chapter).
	Operation locked	Configuration is not enabled. Parameters cannot be changed.
	Fault indication icon	A malfunction or device error exists (see the 'Malfunctions' chapter).





## 7 Start-up and configuration

The work described in this chapter is only to be performed by personnel appropriately qualified to carry out such tasks.

---

### DANGER

***Risk of fatal injury due to the ignition of an explosive atmosphere.***

- *Observe EN 60079-14 (VDE 0165, Part 1) for work on the positioner in potentially explosive atmospheres.*
  - *Work in potentially explosive atmospheres must only be performed by personnel who has undergone special training or instructions or who is authorized to work on explosion-protected devices in hazardous areas.*
- 

### WARNING

***Crush hazard arising from moving parts on the valve.***

- *Do not touch any moving valve parts while the control valve is in operation.*
  - *Before performing any mounting or installation work on the positioner, put the control valve out of operation by disconnecting and locking the supply air and control signal.*
  - *Do not impede the movement of the actuator and plug stem by inserting objects into the yoke.*
- 

### WARNING

***Sudden loud noise when the pneumatic actuator vents.***

- *Wear hearing protection when working near the valve.*
- 

Before start-up, make sure the following conditions are met:

- The positioner is properly mounted according to the instructions.
- The pneumatic and electrical connections have been performed according to the instructions.

### NOTICE

#### **Risk of malfunction due to incorrect sequence of mounting, installation and start-up.**

→ Observe the following sequence.

1. Remove the protective caps from the pneumatic connections.
2. Mount the positioner on the valve.
3. Connect the supply air.
4. Connect the electrical power.
5. Perform settings.

For normal operation, simply start initialization over Code **P22** (see Chapter 7.3) after mounting the positioner on the valve, checking the fail-safe position in Code **P3** (see Chapter 7.4), to ensure that the positioner works properly. The positioner only works with its default settings. Further setting options for local operation are described in Chapter 7.5.

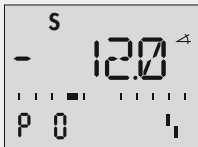
#### Reading after connecting the electrical power

### Note

**LOW** on the display indicates that the set point is lower than 3.8 mA.

**HIGH** on the display indicates that the set point is higher than 22 mA.

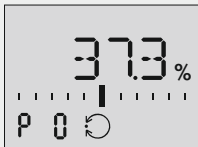
Reading when the positioner has **not** yet been initialized




Code **P0** is displayed. The **S** fault indication icon and **S** (fail-safe position) appear on the display.

The reading indicates the lever position in degrees in relation to the mid-position.

Reading when the positioner has been initialized:



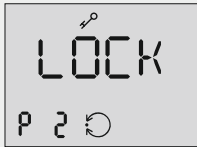
Code **P0** is displayed. The positioner is in closed-loop operation indicated by the  closed-loop operation icon.

The indicated value corresponds to the control position in %.





Details on initialization of the positioner: Chapter 7.4.

## 7.1 Enabling configuration to change parameters

**Before** changing parameter settings in an initialized positioner, configuration must be enabled first by selecting Code **P2**:




**LOCK** and the key icon indicate that the configuration is locked. Deactivate locking as follows:



1. Turn  until Code **P2** appears.
2. Press  to confirm the selected code. **P2** blinks.
3. Turn  until **OPEN** appears.
4. Press  to deactivate the locking.

### **i** Note

*Configuration is locked again if no settings are entered within 5 min.*

## 7.2 Saving parameters in a non-volatile memory

Changed parameters are indicated by the  icon on the display. To save changes to parameters in a non-volatile memory, proceed as follows:

1. After changing a parameter, turn  until the reading jumps from Code **P27** to Code **P0** (or from Code **P0** to Code **P27**).
- The  icon disappears. The changes to a parameter are saved in a non-volatile memory.

## 7.3 Entering the fail-safe position

Define the fail-safe position of the valve taking the valve type and the actuator's direction of action into account.

Fail-safe position	Description
<b>ATO</b> (air to open) setting:	Signal pressure opens the valve, e.g. for a fail-close valve
<b>ATC</b> (air to close) setting:	Signal pressure closes the valve, e.g. for a fail-open valve

The signal pressure is the pneumatic pressure at the output of the positioner applied to the actuator.



Fail-safe position set: **ATO**. To change the direction of action:

→ Enable configuration (Chapter 7.1).

1. Turn until Code **P3** appears.
2. Press to confirm the selected code. **P3** blinks.
3. Turn to set the fail-safe position (**ATO** or **ATC**).
4. Press to confirm the selected fail-safe position.

**For checking purposes:** After successfully completing initialization, the positioner display must read 0 % when the valve is closed and 100 % when the valve is open.

### Note

*The changed fail-safe position first becomes effective after the positioner has been re-initialized.*

## 7.4 Initializing the positioner

→ For positioners with optional limit contacts, read Chapter 7.6 before initializing the positioner.

During initialization the positioner adapts itself optimally to the friction conditions and the signal pressure required by the control valve.

### WARNING

**Risk of personal injury due to moving parts on the valve.**

- *During initialization, do not insert hands or fingers into the valve yoke and do not touch any moving valve parts.*
- *Do not block the actuator stem.*

### NOTICE

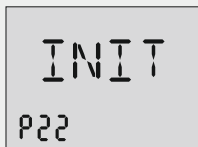
**The process is disturbed by the movement of the actuator stem.**

- *Do not initialize the positioner while the process is running and only after isolating the plant by closing the shut-off valves.*

**Tip**



For normal operation, simply start initialization over Code **P22** after mounting the positioner on the valve, checking the fail-safe position (**P3**), to ensure that the positioner works properly. The positioner only works with its default settings.

The type and extent of self-adaptation depends on the preset parameters. **MAX** applies as the default setting for the nominal range (Code **P5**). During the initialization process, the positioner determines the total travel range or rotational range of the valve (from the CLOSED position to the opposite end position).




Start initialization:


→ Enable configuration (Chapter 7.1).

1. Turn  until Code **P22** appears.
2. Press  and hold for 3 s (reading: **3 ... 2 ... 1**).

→ Initialization starts. **P22** and **INIT** blink during initialization. The time required for the initialization procedure depends on the actuator transit time, which means that initialization can take a few minutes.



After a successful initialization, Code **P0** appears on the display and the positioner changes to closed-loop operation indicated by the  closed-loop operation icon.

Initialization is canceled and the  fault indication icon appears when initialization fails.

### Canceling initialization

The initialization can be canceled:



Cancel initialization:

1. During initialization, press . Code **P22** and **ESC** blink.
2. Press again. The initialization process is canceled.

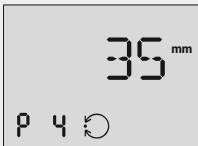
→ When the positioner has **not** yet been initialized: the positioner goes to the fail-safe position after the initialization process has been canceled.

→ When the positioner has been initialized: on canceling a new initialization process, the positioner returns to closed-loop operation. The settings of the previous initialization are used. A new initialization can be started directly afterwards.

## 7.5 Other possible settings

### 7.5.1 Entering the pin position

When attaching the positioner to the control valve, the follower pin must be inserted in the proper pin position on the lever depending on the travel/angle (see the 'Installation' chapter).



Specify the pin position:

→ Enable configuration (Chapter 7.1).

1. Turn until Code **P4** appears.
2. Press to confirm the selected code. **P4** blinks.
3. Turn to select the pin position.
4. Press to confirm the setting.

→ The positioner must be re-initialized after the pin position is changed.

### 7.5.2 Setting the nominal range

During initialization, the positioner determines the travel/angle of rotation of the closing member from the CLOSED position to the opposite travel stop based on the entered nominal range and adopts this travel/angle as the operating range. The possible adjustment range depends on the selected pin position (see Chapter 7.5.1).



Set nominal range:

→ Enable configuration (Chapter 7.1).

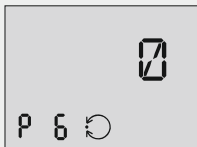
1. Turn until Code **P5** appears.
2. Press to confirm the selected code. **P5** blinks.
3. Turn to select the nominal range of the valve.
4. Press to confirm the setting.

→ The positioner must be re-initialized after the nominal range is changed.

### 7.5.3 Selecting the characteristic

A selection of three characteristics for globe valves and nine characteristics for rotary valves is available for the TROVIS 3730-1 Positioner (Code **P6**):

Value	Characteristic	Linear actuator	Rotary actuator
<b>P6</b> = 0	Linear	•	•
<b>P6</b> = 1	Equal percentage	•	•
<b>P6</b> = 2	Reverse equal percentage	•	•
<b>P6</b> = 3	SAMSON butterfly valve, linear		•
<b>P6</b> = 4	SAMSON butterfly valve, equal percentage		•
<b>P6</b> = 5	VETEC rotary plug valve, linear		•
<b>P6</b> = 6	VETEC rotary plug valve, equal percentage		•
<b>P6</b> = 7	Segmented ball valve, linear		•
<b>P6</b> = 8	Segmented ball valve, equal percentage		•



Selecting the characteristic:

→ Enable configuration (Chapter 7.1).

1. Turn until Code **P6** appears.
2. Press to confirm the selected code. **P6** blinks.
3. Turn to select the characteristic.
4. Press to confirm the setting.

## 7.5.4 Entering the direction of action

The direction of action (**P8**) is set to increasing/increasing (>>) by default, i.e. when the positioner is initialized, **0 %** is displayed when the valve is closed and **100 %** when the valve is fully open. If necessary, the direction of action can be changed.

**i Note**

The direction of action depends on the selected fail-safe position (see Chapter 7.3):

- After initialization with Code **P3 = ATO**, Code **P8** is automatically set to >> (increasing/increasing).
- After initialization with Code **P3 = ATC**, Code **P8** is automatically set to << (increasing/decreasing).
- Code **P8** setting can be adapted as required after initialization is completed.



Changing the direction of action to increasing/decreasing:

➔ Enable configuration (Chapter 7.1).

1. Turn until Code **P8** appears.
2. Press to confirm the selected code. **P8** blinks.
3. Turn until **< >** appears.
4. Press to confirm the setting.

Table 7-1 shows the relationship between the direction of action and valve position.

**Table 7-1:** Relationship between direction of action and valve position

Valve	CLOSED	OPEN
Display	0 %	100 %
Direction of action increasing/increasing (>>)	4 mA	20 mA
Direction of action increasing/decreasing (<<)	20 mA	4 mA







## 7.5.5 Limiting the signal pressure

If the maximum actuator force is too high for the valve used, the signal pressure limit can be activated in Code **P11**. The pressure is then limited to approx. 2.4 bar.



Activate pressure limit:

→ Enable configuration (Chapter 7.1).

1. Turn  until Code **P11** appears.
2. Press  to confirm the selected code. **P11** blinks.
3. Turn  and select **ON**.
4. Press  to confirm the setting.

## 7.6 Adjusting the switching points of the optional limit contacts

The switching points of the limit switches are usually adjusted so that a signal is issued in the travel/angle end positions. Optionally, the switching point can also be adjusted to any position within the travel/angle range, e.g. if an intermediate position is to be indicated.

Both switching points are adjusted at two adjustment screws on the top of the rotary knob:

- Limit contact 1: adjustment screw 1
- Limit contact 2: adjustment screw 2

The adjustment screws are marked: **I** for adjustment screw 1 and **II** for adjustment screw 2.

**The following applies to all adjustments:**

- Always move the valve to the switching point from the mid-position (50 %) on adjusting or checking the switching point.
- To guarantee the switching under all ambient conditions, adjust the switching point approx. 5 % before the mechanical stop (OPEN/CLOSED).

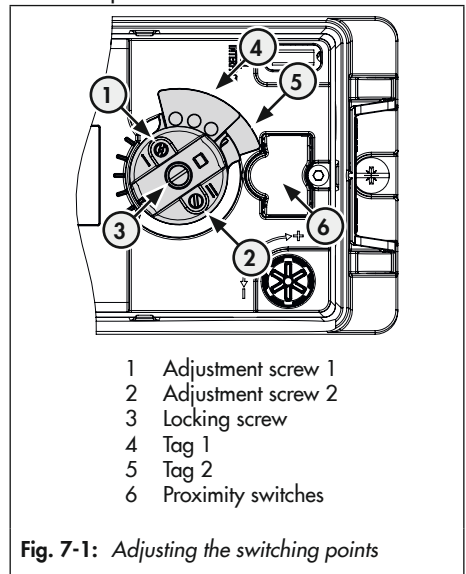


Fig. 7-1: Adjusting the switching points

## Start-up and configuration

→ Contact functions:

- Tag leaving the field: contact is closed
- Tag entering the field: contact is opened

### 7.6.1 Adjusting the CLOSED position

1. Initialize the positioner (see Chapter 7.4).
2. Move the valve using the manual mode to 5 % (read the value off the display).
3. Undo the locking screw (3).
4. Turn the adjustment screws to adjust the tags until they leave or enter the field causing the switching amplifier to respond. You can measure the switching voltage for checking purposes.
5. Keep hold of the rotary knob and tighten the locking screw (3) (tightening torque  $0.9 \pm 0.1$  Nm).
6. Move the valve away from the switching position and check whether the output signal changes.
7. Move the valve back to the switching position and check the switching point.

### 7.6.2 Adjusting the OPEN position

1. Initialize the positioner (see Chapter 7.4).
2. Move the valve using the manual mode to 95 % (read the value off the display).
3. Undo the locking screw (3).
4. Turn the adjustment screws to adjust the tags until they leave or enter the field causing the switching amplifier to respond. You can measure the switching voltage for checking purposes.
5. Keep hold of the rotary knob and tighten the locking screw (3) (tightening torque  $0.9 \pm 0.1$  Nm).
6. Move the valve away from the switching position and check whether the output signal changes.
7. Move the valve back to the switching position and check the switching point.

## 8 Operation

The work described in this chapter is only to be performed by personnel appropriately qualified to carry out such tasks.

### **⚠ DANGER**

**Risk of fatal injury due to the ignition of an explosive atmosphere.**

- Observe EN 60079-14 (VDE 0165, Part 1) for work on the positioner in potentially explosive atmospheres.
- Work in potentially explosive atmospheres must only be performed by personnel who has undergone special training or instructions or who is authorized to work on explosion-protected devices in hazardous areas.

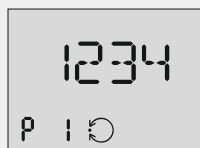
### **⚠ WARNING**





**Crush hazard arising from moving parts on the valve.**

- Do not touch any moving valve parts while the control valve is in operation.
- Before performing any mounting or installation work on the positioner, put the control valve out of operation by disconnecting and locking the supply air and control signal.
- Do not impede the movement of the actuator and plug stem by inserting objects into the yoke.

### 8.1 Changing the reading direction of the display

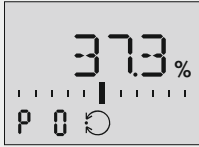
The display reading direction can be rotated by 180°. If the displayed data appear upside down, proceed as follows:




1. Turn  until Code **P1** appears.
2. Press  to confirm the selected code. **P1** blinks.
3. Turn  until the display is set in the desired direction.
4. Press  to confirm selected reading direction.

## 8.2 Changing operating mode

### 8.2.1 Closed-loop operation (automatic mode)




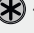



After initialization has been completed successfully once, the positioner is in closed-loop operation (automatic mode). This is indicated by the  icon.

### 8.2.2 Manual mode

The valve position can be moved manually (Code **P24**):



- Enable configuration (Code P2).
- 1. Turn  until Code **P24** appears.
- 2. Press  and hold for 3 s (reading: **3 ... 2 ... 1**).
- **P24** blinks. The positioner changes to the manual mode (indicated by the  manual mode icon).
- The manual set point is indicated on the display of an initialized positioner.
- The lever position in degrees in relation to the mid-position is indicated on the display of a positioner that has **not** been initialized.
- Turn  to move the valve manually.
- Initialized positioner: the manual set point is adjusted in steps of 0.1 %. You can move the valve controlled within its range.
- Positioner that has **not** been initialized: the valve is only moved in one direction uncontrolled by adjusting the manual set point.
- Press  to exit manual mode.

---

**i Note**

The Manual mode function can only be exited as described or by interrupting the electrical supply (cold start).

---

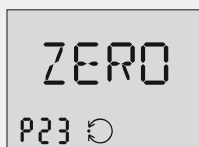
## 8.3 Performing zero calibration

### ⚠ WARNING



**Risk of personal injury due to moving parts on the valve.**

- During zero calibration, do not insert hands or fingers into the valve yoke and do not touch any moving valve parts.
- Do not block the actuator stem.

In case of inconsistencies in the closing position of the valve, e.g. with soft-seated plugs, it might be necessary to recalibrate zero over Code **P23**.

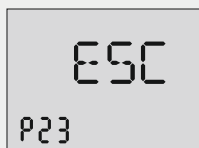


Start zero calibration:



- Enable configuration (Code P2).
- 1. Turn  until Code **P23** appears.
- 2. Press  and hold for 3 s (reading: **3 ... 2 ... 1**).
- Zero calibration starts. **P23** and **ZERO** blink during the calibration procedure. The positioner moves the control valve to the CLOSED position and recalibrates the internal electric zero point.
- When the zero calibration has been successfully completed, the positioner changes to closed-loop operation.

### Canceling zero calibration

Zero calibration can be canceled:



Cancel zero calibration:

- 1. During zero calibration, press . Code **P23** and **ESC** blink.
- 2. Press  again. Zero calibration is canceled.
- The positioner changes to closed-loop operation without performing a zero calibration. A new zero calibration can be started directly afterwards.

## 8.4 Resetting the positioner (reset)

---

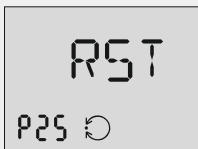
### ⚠ NOTICE




*The process is disturbed by the movement of the actuator stem.*

→ Do not reset the positioner while the process is running. First isolate the plant by closing the shut-off valves.

---

A reset causes an initialization to be undone and all parameters settings are reset to the default settings (see code list in Appendix A).



- Enable configuration (Code P2).
- 1. Turn  until Code **P25** appears.
- 2. Press  and hold for 3 s (reading: **3 ... 2 ... 1**).
- The reading changes to Code **P0**. The reset procedure is completed.
- The  fault indication icon is displayed since the positioner needs to be re-initialized.
- The **E2** error code is displayed.

## 8.5 Restarting the positioner (boot)

---

### ⚠ NOTICE

*The process is disturbed by the movement of the actuator stem.*

→ Do not restart the positioner while the process is running. First isolate the plant by closing the shut-off valves.


---

A restart causes the positioner to be briefly switched off and on again. Calibration values remain saved. A restart is necessary, for example after a firmware update.



→ Enable configuration (Code P2).

1. Turn  until Code **P26** appears.

2. Press  and hold for 3 s (reading: **3 ... 2 ... 1**).

→ The valve moves briefly to the fail-safe position and directly back again to the position where the valve was before the positioner was restarted.

→ The reading changes to Code **P0**. The reset procedure is completed.





## 9 Malfunctions

### **⚠ DANGER**

**Risk of fatal injury due to the ignition of an explosive atmosphere.**

- Observe EN 60079-14 (VDE 0165, Part 1) for work on the positioner in potentially explosive atmospheres.
- Work in potentially explosive atmospheres must only be performed by personnel who has undergone special training or instructions or who is authorized to work on explosion-protected devices in hazardous areas.

### **⚠ DANGER**

**Risk of bursting in the pneumatic actuator due to the use of fail-in-place module.**

Before working on the positioner, actuator or any other valve accessories:

- Depressurize all plant sections concerned and the actuator. Release any stored energy.

### **⚠ WARNING**


**Crush hazard arising from actuator and plug stem moving.**

- Do not insert hands or finger into the yoke while the air supply is connected to the positioner.
- Before working on the positioner, disconnect and lock the pneumatic air supply.
- Do not impede the movement of the actuator and plug stem by inserting objects into the yoke.

### **⚠ WARNING**

**Sudden loud noise when the pneumatic actuator vents.**

- Wear hearing protection when working near the valve.

Malfunctions are indicated on the display by the  fault alarm icon. Switch past Code **P0** or **P27** to display the respective error code **E0** to **E15** together with **ERR** appear on the display. Refer to the error code list in Chapter 9.1 for the cause of the errors and the recommended action.

In TROVIS-VIEW, an additional icon for status classification is shown together with the error code (see Table 9-1 on page 9-3).

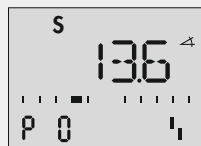
### **i Note**

Contact 's After-sales Service for malfunctions not listed in Chapter 9.1.

## Malfunctions

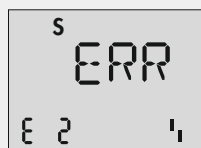
### Example:

If, for instance, a travel has been entered in Code **P5** (nominal range), which is larger than the maximum valve travel possible, the rated travel cannot be reached during initialization process. In this case, initialization is canceled. Closed-loop operation is continued if the positioner has already been initialized. When the positioner has not yet been initialized, the valve returns to the fail-safe position (indicated by the **S** icon). After Code **P0** or **P27** the error codes **E2** (positioner not initialized) and **E6** (rated travel not reached) are displayed.

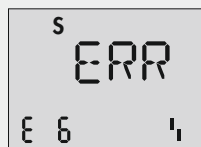


Display of the fault indication:

- Fault indication icon **S** appears.
- Valve moves to the fail-safe position (indicated by the **S** icon).



**E2** error code: Initialization canceled.



**E6** error code: Rated travel not achieved.

The nominal range (Code P5) must be changed and the positioner re-initialized to remedy this problem.

## 9.1 Troubleshooting

The errors listed in Table 9-2 are assigned to error classes:

- **Error class 1:** No operation possible
- **Error class 2:** Manual operation only possible
- **Error class 3:** Manual operation and closed-loop control possible

In TROVIS-VIEW, an additional icon for status classification is shown together with the error (see Table 9-1).

Table 9-1: Icon showing status classification










Icon	Meaning
	Failure
	Function check
	Out of specification
	Maintenance demanded
	No message

Table 9-2: Troubleshooting

Code	Status	Description	Cause/recommended action	Class
E0		<b>Zero error</b> (operational error)	Only with tight-closing function <b>P12</b> (set point cutoff decrease set to <b>ON</b> ). The zero point has shifted by more than 5 % compared to initialization. The error may arise when the valve seat trim is worn.	3
		Recommended action	Check the valve and positioner attachment as well as the supply pressure. If the positioner is mounted correctly, perform a zero calibration over Code <b>P23</b> (see the 'Start-up and configuration' chapter). <b>Error code can be cleared (see Chapter 9.1.1).</b>	
E1		<b>Displayed and INIT values are not identical</b> (operational error)	Adjusted and displayed valves are not identical to the INIT values as the parameters (Code <b>P3</b> , <b>P4</b> or <b>P5</b> ) were changed after initialization.	3
		Recommended action	Reset parameters or re-initialize positioner.	
E2		<b>Positioner not initialized</b>	The positioner needs to be initialized.	2
		Recommended action	Set parameters and initialize the positioner over Code <b>P22</b> .	
E3		<b>K<sub>p</sub> setting</b> (initialization error)	Positioner hunts. Gain too high.	2
		Recommended action	Limit the gain K <sub>p</sub> (Code <b>P9</b> ). Re-initialize the positioner. Possibly use a screw restriction.	

## Malfunions








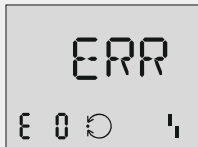
Code	Status	Description	Cause/recommended action	Class
E4		<b>Transit time too short</b> (initialization error)	Actuator transit times detected during initialization are too short making optimal positioner tuning impossible. Minimum transit times: $K_p = 25: \geq 150 \text{ ms}$ $K_p = 50 \text{ to } 100: \geq 380 \text{ ms}$	2
		Recommended action	Check piping and re-initialize the positioner. Possibly use a screw restriction or reduce gain $K_p$ .	
E5		<b>Standstill detection is not possible</b> (initialization error)	Supply pressure varies. Mounting incorrect.	2
		Recommended action	Check supply air and positioner mounting. Re-initialize the positioner.	
E6		<b>Travel is not achieved during initialization</b> (initialization error)	Supply pressure is too low, actuator leaks, incorrect travel adjusted or pressure limit function activated. When MAX is selected for <b>P5</b> code (nominal range): the measuring span of the lever is too small (incorrect lever, incorrect pin position). Initialization is canceled when the angle of rotation of the positioner shaft is smaller than $11^\circ$ .	2
		Recommended action	Check supply air, positioner mounting, lever, pin position and setting. Re-initialize the positioner.	
E7		<b>Actuator does not move</b> (initialization error)	No supply air, mounting blocked.	2
		Recommended action	Check supply air, positioner mounting and mA input signal. Re-initialize the positioner.	
E8		<b>Travel signal at lower/upper limit</b>	Wrong pin position, wrong lever, wrong attachment direction when NAMUR attachment is used.	1
		Recommended action	Reset error code (see Chapter 9.1.1). Check positioner mounting and re-initialize the positioner.	
E9 to E15	 	<b>Device error (internal)</b>	Contact SAMSON's After-sales Service.	1/3





Table 9-3: Further troubleshooting

Description of fault	Measures
No reading on the display	→ Check electrical connection and power supply.
Actuator moves too slowly	<ul style="list-style-type: none"> <li>→ Check the supply pressure.</li> <li>→ Check the cross-section of the piping and screw fittings.</li> <li>→ Check the configuration of the mounting parts.</li> </ul>
Actuator moves in the wrong direction.	<ul style="list-style-type: none"> <li>→ Check the direction of action (Code <b>P8</b>).</li> <li>→ Check the characteristic setting.</li> <li>→ Check piping.</li> <li>→ Check the configuration of the mounting parts.</li> </ul>
Air leaks from the positioner.	→ Check seals.

### 9.1.1 Clearing error codes

The **E0** and **E3** to **E8** error codes can be cleared as follows:



3. Turn  to select the error code.
4. Press , **ESC** is displayed. The error code blinks.
5. Turn  until **RST** appears.
6. Press  to clear the error.



- The reset procedure can be canceled by pressing rotary pushbutton while **ESC** is displayed.

### 9.2 Emergency action

Upon failure of the air supply or electric signal, the positioner vents the actuator, causing the valve to move to the fail-safe position determined by the actuator. Plant operators are responsible for emergency action to be taken in the plant.

---



**Tip**

*Emergency action in the event of valve failure is described in the associated valve documentation.*

---

## 10 Servicing

The work described in this chapter is only to be performed by personnel appropriately qualified to carry out such tasks.

### **⚠ DANGER**

**Risk of fatal injury due to the ignition of an explosive atmosphere.**

- Observe EN 60079-14 (VDE 0165, Part 1) for work on the positioner in potentially explosive atmospheres.
- Work in potentially explosive atmospheres must only be performed by personnel who has undergone special training or instructions or who is authorized to work on explosion-protected devices in hazardous areas.

### **⚠ WARNING**

**Crush hazard arising from actuator and plug stem moving.**

- Do not insert hands or finger into the yoke while the air supply is connected to the positioner.
- Before working on the positioner, disconnect and lock the pneumatic air supply.
- Do not impede the movement of the actuator and plug stem by inserting objects into the yoke.

### **⚠ WARNING**

**Sudden loud noise when the pneumatic actuator vents.**

- Wear hearing protection when working near the valve.

The positioner was checked by SAMSON before it left the factory.

- The product warranty becomes void if service or repair work not described in these instructions is performed without prior agreement by SAMSON's After-sales Service.
- Only use original spare parts by SAMSON, which comply with the original specifications.

## 10.1 Cleaning the cover window

The window is made of Makrolon® and will be damaged when cleaned with abrasive cleaning agents or agents containing solvents. To avoid damage:

- Do not rub the window dry.
- Do not use any cleaning agents containing chlorine or alcohol or abrasive cleaning agents.
- Use a non-abrasive, soft cloth for cleaning.

## 10.2 Firmware updates

Contact your local SAMSON engineering and sales office or subsidiary (▶ [www.samsongroup.com](http://www.samsongroup.com) > About SAMSON > Sales offices) to request a firmware update.

### Required specifications


Please submit the following details on requesting a firmware update:

- Type
- Serial number
- Configuration ID
- Current firmware version
- Required firmware version

## 10.3 Periodic inspection and testing of the positioner

We recommend inspection and testing according to Table 10-1 at the minimum.

**Table 10-1:** *Recommended inspection and testing*

Inspection and testing	Action to be taken in the event of a negative result
Check the markings, labels and nameplates on the positioner for their readability and completeness.	Contact SAMSON when nameplates or labels are damaged, missing or incorrect to renew them.
	Clean any inscriptions that are covered with dirt and are illegible.
Check the positioner to ensure that it is mounted firmly.	Tighten the any loose mounting screws.
Check the pneumatic connections.	Tighten any loose male connectors of the screw fittings.
	Renew any air pipes or hoses that leak.
Check the power supply wires.	Tighten any loose cable glands.
	Make sure that the stranded wires are pushed into the terminals and tighten any loose screws on the the terminals.
	Renew damaged wires.
Check error messages on the display (indicated by the  fault alarm icon).	Troubleshooting (see the 'Malfunctions' chapter).



## 11 Decommissioning

The work described in this chapter is only to be performed by personnel appropriately qualified to carry out such tasks.

---

### **⚠ DANGER**

***Risk of fatal injury due to the ignition of an explosive atmosphere.***

- *Observe EN 60079-14 (VDE 0165, Part 1) for work on the positioner in potentially explosive atmospheres.*
  - *Work in potentially explosive atmospheres must only be performed by personnel who has undergone special training or instructions or who is authorized to work on explosion-protected devices in hazardous areas.*
- 

### **⚠ WARNING**

***Sudden loud noise when the pneumatic actuator vents.***

- *Wear hearing protection when working near the valve.*
- 

### **📌 NOTICE**

***The process is disturbed by interrupting closed-loop control.***

- *Do not mount or service the positioner while the process is running and only after isolating the plant by closing the shut-off valves.*
- 

To decommission the positioner, proceed as follows:

1. Disconnect and lock the air supply and signal pressure.
2. Open the positioner cover and disconnect the wires for the control signal.



## 12 Removal

The work described in this chapter is only to be performed by personnel appropriately qualified to carry out such tasks.

---

### DANGER

***Risk of fatal injury due to the ignition of an explosive atmosphere.***

- *Observe EN 60079-14 (VDE 0165, Part 1) for work on the positioner in potentially explosive atmospheres.*
  - *Work in potentially explosive atmospheres must only be performed by personnel who has undergone special training or instructions or who is authorized to work on explosion-protected devices in hazardous areas.*
- 

1. Put the positioner out of operation (see the 'Decommissioning' chapter).
2. Disconnect the wires for the control signal from the positioner.
3. Disconnect the lines for supply air and signal pressure (not required for direct attachment using a connection block).
4. To remove the positioner, loosen the two fastening screws on the positioner.



## 13 Repairs

A defective positioner must be repaired or replaced.

### ! NOTICE

**Risk of positioner damage due to incorrect service or repair work.**

- Do not perform any repair work on your own.
- Contact SAMSON's After-sales Service for repair work.

### 13.1 Servicing explosion-protected devices

If a part of the device on which the explosion protection is based needs to be serviced, the device must not be put back into operation until a qualified inspector has assessed it according to explosion protection requirements, has issued an inspection certificate, or given the device a mark of conformity. Inspection by a qualified inspector is not required if the manufacturer performs a routine test on the device before putting it back into operation and the passing of the routine test is documented by attaching a mark of conformity to the device. Replace explosion-protected components only with original, routine-tested components by the manufacturer.

Devices that have already been operated outside hazardous areas and are intended for future use inside hazardous areas must comply with the safety requirements placed

on serviced devices. Before being operated inside hazardous areas, test the devices according to the specifications for servicing explosion-protected devices.

### 13.2 Returning devices to SAMSON

Defective positioners can be returned to SAMSON for repair.

Proceed as follows to return devices to SAMSON:

1. Put the positioner out of operation (see the 'Decommissioning' chapter).
2. Remove the positioner (see the 'Removal' chapter).
3. Proceed as described on the Returning goods page of our website  
 ► [www.samsongroup.com](http://www.samsongroup.com) > Service > After-sales Service > Returning goods



## 14 Disposal



We are registered with the German national register for waste electric equipment (stiftung ear) as a producer of electrical and electronic equipment, WEEE reg. no.: DE 62194439

- Observe local, national and international refuse regulations.
- Do not dispose of components, lubricants and hazardous substances together with your other household waste.

---

### **i** Note

*We can provide you with a recycling passport according to PAS 1049 on request. Simply e-mail us at [offersaleservice@samsongroup.com](mailto:offersaleservice@samsongroup.com) giving details of your company address.*

---

### Tip

*On request, we can appoint a service provider to dismantle and recycle the product.*

---





## 15 Certificates

The following certificates are included on the next pages:

- EU declaration of conformity for TROVIS 3730-1
- EU declaration of conformity for TROVIS 3730-1-110, -510, -810, -850
- TR CU certificate for TROVIS 3730-1
- TR CU certificate for TROVIS 3730-1-110, -510, -810, -850
- EU type examination certificate for TROVIS 3730-1-110, -510, -810, -850
- FM certificate for TROVIS 3730-1-130
- IECEx certificate for TROVIS 3730-1-111, -511, -811, -851
- TR-CU Ex certificate for TROVIS 3730-1-113

The certificates shown were up to date at the time of publishing. The latest certificates can be found on our website:

► [www.samsongroup.com](http://www.samsongroup.com) > Products > Valve accessories > TROVIS 3730-1



## EU Konformitätserklärung / EU Declaration of Conformity / Déclaration UE de conformité

Die alleinige Verantwortung für die Ausstellung dieser Konformitätserklärung trägt der Hersteller/  
This declaration of conformity is issued under the sole responsibility of the manufacturer/  
La présente déclaration de conformité est établie sous la seule responsabilité du fabricant.  
Für das folgende Produkt / For the following product / Nous certifions que le produit

### Elektropneumatischer Stellungsregler / Electropneumatic Positioner / Positionneur électropneumatique TROVIS 3730-1-...

wird die Konformität mit den einschlägigen Harmonisierungsrechtsvorschriften der Union bestätigt /  
the conformity with the relevant Union harmonisation legislation is declared with /  
est conforme à la législation d'harmonisation de l'Union applicable selon les normes:

EMC 2014/30/EU	EN 61000-6-2:2005, EN 61000-6-3:2007 +A1:2011, EN 61326-1:2013
RoHS 2011/65/EU	EN 50581:2012

Hersteller / Manufacturer / Fabricant:

SAMSON AKTIENGESELLSCHAFT  
Weismüllerstraße 3  
D-60314 Frankfurt am Main  
Deutschland/Germany/Allemagne

Frankfurt / Francfort, 2018-11-26

Im Namen des Herstellers/ On behalf of the Manufacturer/ Au nom du fabricant.

Dr. Julian Fuchs  
Zentralabteilungsleiter/Head of Department/Chef du département  
Entwicklung Ventilanbaugeräte und Messtechnik  
Development Valve Attachments and Measurement Technologies

Dipl.-Ing. Silke Bianca Schäfer  
Total Quality Management/  
Management par la qualité totale



## EU Konformitätserklärung / EU Declaration of Conformity / Déclaration UE de conformité

Die alleinige Verantwortung für die Ausstellung dieser Konformitätserklärung trägt der Hersteller/  
This declaration of conformity is issued under the sole responsibility of the manufacturer/  
La présente déclaration de conformité est établie sous la seule responsabilité du fabricant.  
Für das folgende Produkt / For the following product / Nous certifions que le produit

### Elektropneumatischer Stellungsregler / Electropneumatic Positioner / Positionneur électropneumatique TROVIS 3730-1-110, -510, -810, -850

entsprechend der EU-Baumusterprüfbescheinigung PTB 18 ATEX 2001 ausgestellt von der/  
according to the EU Type Examination PTB 18 ATEX 2001 issued by/  
établi selon le certificat CE d'essais sur échantillons PTB 18 ATEX 2001 émis par:

Physikalisch Technische Bundesanstalt  
Bundesallee 100  
D-38116 Braunschweig  
Benannte Stelle/Notified Body/Organisme notifié 0102

wird die Konformität mit den einschlägigen Harmonisierungsrechtsvorschriften der Union bestätigt /  
the conformity with the relevant Union harmonisation legislation is declared with/  
est conforme à la législation d'harmonisation de l'Union applicable selon les normes:

EMC 2014/30/EU	EN 61000-6-2:2005, EN 61000-6-3:2007 +A1:2011, EN 61326-1:2013
Explosion Protection 2014/34/EU	EN 60079-0: 2018, EN 60079-11: 2012, EN 60079-15: 2010, EN 60079-31: 2014
RoHS 2011/65/EU	EN 50581:2012

Hersteller / Manufacturer / Fabricant:

SAMSON AKTIENGESELLSCHAFT  
Weismüllerstraße 3  
D-60314 Frankfurt am Main  
Deutschland/Germany/Allemagne

Frankfurt / Francfort, 2018-11-26

Im Namen des Herstellers/ On behalf of the Manufacturer/ Au nom du fabricant.

Dr. Julian Fuchs  
Zentralabteilungsleiter/Head of Department/Chef du département  
Entwicklung Ventilanbaugeräte und Messtechnik  
Development Valve Attachments and Measurement Technologies

Dipl.-Ing. Silke Bianca Schäfer  
Total Quality Management/  
Management par la qualité totale



## ЕВРАЗИЙСКИЙ ЭКОНОМИЧЕСКИЙ СОЮЗ ДЕКЛАРАЦИЯ О СООТВЕТСТВИИ

Заявитель Общество с ограниченной ответственностью "САМСОН КОНТРОЛС".  
Основной государственный регистрационный номер: 1037700041026. Место нахождения и адрес  
места осуществления деятельности: 109544, город Москва, бульвар Энтузиастов, дом 2, этаж 5,  
 комната 11, Российская Федерация. Телефон: +7 (495) 777-4545, адрес электронной почты:  
 samson@samson.ru.

в лице Генерального директора Крымшамхалова Азрета Индрисовича, действующего на основании  
 Устава.

заявляет, что Позиционеры электропневматические с маркировкой SAMSON типов TROVIS 3730-1,  
 TROVIS 3730-3.

Изготовитель "SAMSON AG Mess- und Regeltechnik".

Место нахождения и адрес места осуществления деятельности по изготовлению продукции:  
 Weismüllerstrasse 3, 60314 Frankfurt am Main, Федеративная Республика Германия.

Продукция изготовлена в соответствии с 2014/30/EU "Electromagnetic compatibility directive"  
 (2014/30/EU "Директива по электромагнитной совместимости").

Код ТН ВЭД ЕАЭС: 9032 89 00 0.

Серийный выпуск.

соответствует требованиям ТР ТС 020/2011 "Электромагнитная совместимость технических  
 средств".

Декларация о соответствии принята на основании эксплуатационной документации (инструкции  
по монтажу и эксплуатации EB 8484-1 RU); протокола испытаний № 10-08-2020 от  
 04.08.2020, выданного Испытательной лабораторией Общества с ограниченной ответственностью  
 "Испытательный центр".

Схема декларирования соответствия: 1д.

Дополнительная информация разделы 5 и 7 ГОСТ 30804.3.2-2013 (IEC 61000-3-2:2009)  
 "Совместимость технических средств электромагнитная. Эмиссия гармонических составляющих тока  
 техническими средствами с потребляемым током не более 16 А (в одной фазе). Нормы и методы  
 испытаний", раздел 5 ГОСТ 30804.3.3-2013 (IEC 61000-3-3:2008) "Совместимость технических  
 средств электромагнитная. Ограничение изменений напряжения, колебаний напряжения и фликера в  
 низковольтных системах электроснабжения общего назначения. Технические средства с  
 потребляемым током не более 16 А (в одной фазе), подключаемые к электрической сети при  
 несоблюдении определенных условий подключения. Нормы и методы испытаний".

Условия хранения: под навесами при температуре окружающего воздуха от минус 60 °С до  
 плюс 60 °С и относительной влажности до 70%. Назначенный срок хранения: 24 месяца.  
 Назначенный срок службы: 15 лет.

Декларация о соответствии действительна с даты регистрации  
по 04.08.2020 включительно.

  
 (подпись)



Крымшамхалов Азрет Индрисович  
 (Ф.И.О. заявителя)

Регистрационный номер декларации о соответствии:

ЕАЭС N RU Д-ДЕ.МХ24.В.01219/20

Дата регистрации декларации о соответствии: 05.08.2020



## ЕВРАЗИЙСКИЙ ЭКОНОМИЧЕСКИЙ СОЮЗ ДЕКЛАРАЦИЯ О СООТВЕТСТВИИ

**Заявитель** Общество с ограниченной ответственностью "САМСОН КОНТРОЛС".

Основной государственный регистрационный номер: 1037700041026. Место нахождения и адрес места осуществления деятельности: 109544, город Москва, бульвар Энтузиастов, дом 2, этаж 5, комната 11, Российская Федерация. Телефон: +7 (495) 777-4545, адрес электронной почты: samson@samson.ru.

в лице Генерального директора Крымшамхалова Азрета Индрисовича, действующего на основании Устава.

заявляет, что **Позиционеры электропневматические с маркировкой SAMSON типов TROVIS 3730-1, TROVIS 3730-3.**

**Изготовитель "SAMSON AG Mess- und Regeltechnik".**

Место нахождения и адрес места осуществления деятельности по изготовлению продукции: Weismüllerstrasse 3, 60314 Frankfurt am Main, Федеративная Республика Германия.

Продукция изготовлена в соответствии с 2014/30/EU "Electromagnetic compatibility directive" (2014/30/EU "Директива по электромагнитной совместимости").

Код ТН ВЭД ЕАЭС: 9032 89 00 0.

Серийный выпуск.

соответствует требованиям ТР ТС 020/2011 "Электромагнитная совместимость технических средств".

Декларация о соответствии принята на основании эксплуатационной документации (инструкции по монтажу и эксплуатации ЕВ 8484-1 RU); протокола испытаний № 10-08-2020 от 04.08.2020, выданного Испытательной лабораторией Общества с ограниченной ответственностью "Испытательный центр".

Схема декларирования соответствия: 1д.

**Дополнительная информация** разделы 5 и 7 ГОСТ 30804.3.2-2013 (IEC 61000-3-2:2009) "Совместимость технических средств электромагнитная. Эмиссия гармонических составляющих тока техническими средствами с потребляемым током не более 16 А (в одной фазе). Нормы и методы испытаний", раздел 5 ГОСТ 30804.3.3-2013 (IEC 61000-3-3:2008) "Совместимость технических средств электромагнитная. Ограничение изменений напряжения, колебаний напряжения и фликера в низковольтных системах электроснабжения общего назначения. Технические средства с потребляемым током не более 16 А (в одной фазе), подключаемые к электрической сети при несоблюдении определенных условий подключения. Нормы и методы испытаний".

Условия хранения: под навесами при температуре окружающего воздуха от минус 60 °С до плюс 60 °С и относительной влажности до 70%. Назначенный срок хранения: 24 месяца. Назначенный срок службы: 15 лет.

Декларация о соответствии действительна с даты регистрации

по 04.08.2020 включительно.

  
(подпись)



Крымшамхалов Азрет Индрисович  
(Ф.И.О. заявителя)

Регистрационный номер декларации о соответствии:

ЕАЭС N RU Д-ДЕ.МХ24.В.01219/20

Дата регистрации декларации о соответствии: 05.08.2020



**СЕРТИФИКАТ СООТВЕТСТВИЯ**

№ ЕАЭС RU C-DE.HA65.B.00700/20

Серия **RU** № **0249362**

**ОРГАН ПО СЕРТИФИКАЦИИ** продукции Общества с ограниченной ответственностью «Техбезопасность». Адрес места нахождения юридического лица: 127486, Россия, город Москва, улица Дегуниевская, дом 1, корпус 2, этаж 3, помещение 1, комната 19. Адреса мест осуществления деятельности в области аккредитации: 105066, Россия, город Москва, улица Николья Крестовская, дом 35, строение 64, комната 22 "в"; 301668, Россия, Тульская область, город Новомосковск, улица Орловского, дом 8 пристроенное нежилое здание – пристройка к цеху № 3, 3 этаж, помещение 4 и помещение 10. Номер аттестата аккредитации (регистрационный номер) RARU11HA65. Дата внесения в реестр сведений об аккредитованном лице - 10.08.2018. Телефон: +74952081646, адрес электронной почты: teh-bez@inbox.ru.

**ЗАЯВИТЕЛЬ**

Общество с ограниченной ответственностью «САМСОН КОНТРОЛС». Основной государственный регистрационный номер 1037700041026. Место нахождения (адрес юридического лица) и адрес места осуществления деятельности: 109544, Россия, Москва, бульвар Энтузиастов, дом 2, этаж 5, комната 11. Телефон: +74957774545, адрес электронной почты: samson@samson.ru

**ИЗГОТОВИТЕЛЬ**

SAMSON AKTIENGESELLSCHAFT.

Место нахождения (адрес юридического лица) и адрес места осуществления деятельности по изготовлению продукции: Weismüllerstrasse 3, 60314 Frankfurt am Main, Германия.

**ПРОДУКЦИЯ**

Электропневматические позиционеры типов TROVIS 3730-1-113, TROVIS 3730-3-113. Маркировки взрывозащиты и защиты от воспламенения горючей пыли и иные сведения о продукции, обеспечивающие ее идентификацию, приведены на листах 1, 2 приложения (бланки №№ 0751061, 0751062). Серийный выпуск.

**КОД ТН ВЭД ЕАЭС** 9032 81 000 0

**СООТВЕТСТВУЕТ ТРЕБОВАНИЯМ** Технического регламента Таможенного союза «О безопасности оборудования для работы во взрывоопасных средах» (ТР ТС 012/2011)

**СЕРТИФИКАТ СООТВЕТСТВИЯ ВЫДАН НА ОСНОВАНИИ**

Протокола испытаний № 0749-НИ-01 от 17.08.2020 года Испытательной лаборатории взрывозащитного оборудования Общества с ограниченной ответственностью "ТЕХБЕЗОПАСНОСТЬ", аттестат аккредитации RA.RU.21HBS4 от 26.03.2018. Акта анализа состояния производства № 0749-АСП от 11.02.2020. Технической документации изготовителя согласно листу 2 приложения (бланк № 0751062). Схема сертификации 1с.

**ДОПОЛНИТЕЛЬНАЯ ИНФОРМАЦИЯ**

Стандарты и иные нормативные документы, применяемые при подтверждении соответствия, приведены на листе 3 приложения (бланк № 0751063). Условия хранения: от минус 55 °С до плюс 70 °С. Срок хранения – 24 месяца. Срок службы (годности) – 15 лет.

**СРОК ДЕЙСТВИЯ С** 19.08.2020 **ПО** 18.08.2025

**ВКЛЮЧИТЕЛЬНО**

Руководитель (уполномоченное лицо) органа по сертификации

Эксперт (эксперт-аудитор) (эксперты (эксперты-аудиторы))

*(подпись)*  
*(подпись)*

**М.П.**

Пономарев Михаил Валерьевич

(Ф.И.О.)

Шмелев Антон Андреевич

(Ф.И.О.)



ПРИЛОЖЕНИЕ

К СЕРТИФИКАТУ СООТВЕТСТВИЯ № ЕАЭС RU C-DE.HA65.B.00700/20

Серия **RU** № **0751061**

**1. Описание конструкции и средств обеспечения взрывозащиты**

Электропневматические позиционеры типов TROVIS 3730-1-113, TROVIS 3730-3-113 (далее по тексту – позиционеры) предназначены для установки на регулирующие пневматические клапаны для определения текущего хода или угла поворота относительно управляющего сигнала и управления клапанами. Сигнал, поступающий из системы управления, сравнивается с величиной хода/углом открытия регулирующего клапана, вырабатывая при этом управляющее давление для пневматического привода.

Позиционеры выполнены в корпусах с крышками прямоугольной формы, изготовленных из нержавеющей стали или алюминия со сплавом с содержанием магния менее 7,5 %. Крышка позиционера может быть выполнена с круглым смотровым окошком и без него. Поверхность хромирована и покрыта порошковой краской. Внутри корпусов расположены электропневматический преобразователь, электронные схемы управления на платах, элементы для подключения электрических и пневматических линий. На одной боковой стороне поверхности корпуса установлены кабельные вводы, на другой – подключения пневматической системы. Кабельные вводы выполнены из полиамида, никелированной латуни или нержавеющей стали. На корпусе имеются заземляющий зажим и табличка с маркировкой.

Взрывозащитность позиционеров обеспечивается взрывозащитой вида «искробезопасная электрическая цепь уровня «а» по ГОСТ 31610.11-2014 (IEC 60079-11:2011) и выполнением их конструкции в соответствии с требованиями ГОСТ 31610.0-2014 (IEC 60079-0:2011).

**2. Специальные условия применения (если в маркировке взрывозащиты указан знак «Х»)**

- 2.1. Соединение позиционеров с аппаратурой, расположенной вне взрывоопасной зоны, должно осуществляться через барьеры искрозащиты, имеющие сертификат соответствия для подключения устройств, находящихся во взрывоопасных зонах помещений и наружных установок, где возможно образование взрывоопасной газовой смеси категории ПС; входные и выходные искробезопасные параметры позиционеров с учетом параметров соединительного кабеля должны соответствовать электрическим параметрам, указанным на барьере безопасности.
- 2.2. Запрещается эксплуатация позиционеров с механическими повреждениями.
- 2.3. При эксплуатации позиционеров во взрывоопасных пылевых средах подгруппы ПС необходимо взамен поставляемых использовать сертифицированные кабельные вводы и заглушки, учитывая условия окружающей среды. Кабельные вводы и заглушки должны иметь степень защиты от внешних воздействий не ниже IP54.
- 2.4. При установке и техническом обслуживании позиционеров необходимо принимать меры для обеспечения безопасности от статических зарядов, которые могут образоваться на поверхности смотрового окна, согласно инструкции.

**3. Спецификация и идентификация продукции**

Типы электропневматических позиционеров, на которые распространяется сертификат соответствия, и их маркировки взрывозащиты и защиты от воспламенения горючей пыли приведены в таблице 1.

Таблица 1

Наименование взрывозащитного электрооборудования	Маркировка взрывозащиты	Маркировка защиты от воспламенения горючей пыли
Электропневматические позиционеры типов TROVIS 3730-1-113, TROVIS 3730-3-113	IEEx ia IIC T6... T4 Gb X	Ex ia IIC T85 °C Db X

Подробнее разъяснение к спецификационным кодам электропневматических позиционеров приводится в технической документации изготовителя.

**4. Основные технические данные**

4.1. Электропневматические позиционеры типов TROVIS 3730-1-113, TROVIS 3730-3-113

- 4.1.1. Степень защиты оболочки по ГОСТ 14254-2015, не ниже ..... IP66
- 4.1.2. Параметры искробезопасных цепей позиционеров типа TROVIS 3730-1-113

Таблица 2

Цепь	U <sub>н</sub> , В	I <sub>н</sub> , мА	P <sub>н</sub> , Вт	C <sub>н</sub> , нФ	L <sub>н</sub> , мкГн
Контакты +11, -12 (цепь питания и сигнала)	28	115	1	5	преенебрежимо мала
Контакты +31, -32 (датчик фактического положения клапана)	28	115	1	5	преенебрежимо мала
Контакты +41, -42, +51, -52 (индуктивные конечные выключатели)	16	52 (тип 3) <sup>1)</sup> или 25 (тип 2)	0,169 (тип 3) <sup>1)</sup> или 0,064 (тип 2)	35	100
Контакты +45, -46, +55, -56 (программируемые конечные выключатели NAMUR)	16	52	0,169	15,9	преенебрежимо мала

Руководитель (уполномоченное лицо) органа по сертификации  
 Эксперт (эксперт-аудитор)  
 (эксперты (эксперты-аудиторы))



Пономарев Михаил Валерьевич  
 М.П.  
 Шмелев Антон Андреевич

## ПРИЛОЖЕНИЕ

К СЕРТИФИКАТУ СООТВЕТСТВИЯ № БАЭС RU C-DE.HA65.B.00700/20

Серия **RU** № **0751062**

4.1.3. Параметры искробезопасных цепей позиционеров типа TROVIS 3730-3-113

Таблица 3

Цепь	U <sub>н</sub> , В	I <sub>н</sub> , мА	P, Вт	C <sub>нФ</sub>	L <sub>н</sub> , мкГн
Контакты +11, -12 (цель питания и сигнала)	28	115	1	14,6	пренебрежимо мала
Контакты +31, -32 (датчик фактического положения клапана)	28	115	1	11,1	
Контакты +41, -42, +51, -52 (индуктивные конечные выключатели)	16	52 (тип 3) <sup>1)</sup> или 25 (тип 2)	0,169 (тип 3) <sup>1)</sup> или 0,064 (тип 2)	41,1	100
Контакты +45, -46, +55, -56 (программируемые конечные выключатели NAMUR)	16	52	0,169	11,1	пренебрежимо мала
Контакты +81, -82 (магнитный клапан)	28	115	1	11,1	
Контакты +83, -84 (дискретный выход NAMUR)	16	52	0,169	11,1	
Контакты +87, -88 (дискретный вход)	28	115	1	37,1	

**Примечание:** <sup>1)</sup> индуктивный конечный выключатель типа S12-SN.

4.1.4. Допустимые диапазоны температур окружающей среды (взрывоопасные газовые среды) для температурного класса, °C:

- T4 ..... минус 55...+80
- T6 ..... минус 55...+55
- с индуктивными конечными выключателями типа S12-SN:
- T4 ..... минус 50...+70
- T6 ..... минус 50...+45
- с внешним датчиком положения для позиционера типа TROVIS 3730-3-113:
- T4 ..... минус 30...+80
- T6 ..... минус 30...+55

4.1.5. Допустимые диапазоны температур окружающей среды

(взрывоопасные пылевые среды) для температуры поверхности, °C:

- T85 °C ..... минус 55...+55
- с внешним датчиком положения для позиционера типа TROVIS 3730-3-113:
- T85 °C ..... минус 30...+55

4.1.6. Габаритные размеры, масса позиционеров..... см, техническую документацию изготовителя

### 5. Техническая документация изготовителя

- 5.1. Инструкция по монтажу и эксплуатации на электропневматический позиционер TROVIS 3730-1 № EB 8484-1 RU (издание: январь 2019) от 27.03.2020
- 5.2. Инструкция по монтажу и эксплуатации на электропневматический позиционер TROVIS 3730-3 с HART® протоколом № EB 8484-3 RU (издание: март 2019) от 16.04.2020
- 5.3. Паспорта: № 4218-1000121630-001-2020.ПС от 10.02.2020, № 4218-1000121630-002-2020.ПС от 10.02.2020, № 4218-1000121630-003-2020.ПС от 10.02.2020, № 4218-1000121630-004-2020.ПС от 10.02.2020
- 5.4. Чертежи: №№ 1050-0623Т (25.06.03), 1050-0790-SWD (01.10.09), 1050-1436-SWD (16.07.15), 1050-1443-SWD (28.08.18), 1050-1444-SWD (28.08.18), 1050-1452-SWD (28.08.18), 1050-1455-SWD (30.11.17), 1050-1482-SWD (19.04.16), 1050-1519-SWD (05.11.15), 1050-1543 (28.09.17), 1050-1544 (28.09.17), 1050-1607-SWD (28.06.17), 1050-1610-SWD (28.08.18), 1050-1611-SWD (19.04.16), 1050-1617-SWD (28.08.18), 1050-1619-SWD (19.04.16), 1050-1709-SWD (28.09.17), 1050-1891-SWD (27.08.18), 1050-1688 (07.09.18), 1050-1689 (30.07.18), 1050-1731-SWD (17.07.17), 1050-1746 (23.11.17), 1050-1747 (23.11.17), 1050-1775-SWD (18.07.17), 1050-1780-SWD (28.08.17), 1050-1802-SWD (13.12.16), 1050-1936-SWD (28.08.17), 1050-2001-SWD (30.05.2018), 1050-1547 (23.05.17), 1050-1548 (29.05.17), 1050-1549 (29.05.17), 1050-1550-SWD (29.05.17), 1050-1658-SWD (18.07.17), 1050-1739 (01.08.17), 1050-1740 (01.08.17), 1050-1798-SWD (18.07.17), 1050-1894-SWD (23.08.17), 1050-1899 (06.04.2020), 1050-1911 (06.04.2020).

При внесении изготовителем или организацией, проводящей эксплуатацию оборудования, в конструкцию и (или) техническую документацию, подтверждающую соответствие оборудования и (или) Ех-компонента требованиям ТР ТС 012/2011, изменений, влияющих на показатели взрывоопасности оборудования, изготовитель или организация, проводящая эксплуатацию оборудования, должны предоставлять в орган по сертификации описание изменений, техническую документацию (чертежи средств обеспечения взрывозащиты) с внесенными изменениями и образцы для проведения дополнительных испытаний, если орган по сертификации посчитает недостаточным проведение только экспертиз технической документации с внесенными изменениями для принятия решения о соответствии оборудования и (или) Ех-компонента ТР ТС 012/2011 с внесенными изменениями.

Руководитель (уполномоченное лицо) органа по сертификации

Эксперт (эксперт-аудитор) (эксперты (эксперты-аудиторы))

*М.П.*  
*Шмелев Антон Андреевич*  
(подпись)

Пономарев Михаил Валерьевич

*М.П.*  
*Шмелев Антон Андреевич*  
(ф.И.О.)



**ПРИЛОЖЕНИЕ**

**К СЕРТИФИКАТУ СООТВЕТСТВИЯ № ЕАЭС** RU C-DE.NA65.B.00700/20

**Серия RU № 0751063**

Стандарты и иные нормативные документы, применяемые при подтверждении соответствия

Обозначение стандарта, нормативного документа	Наименование стандарта, нормативного документа	Раздел (пункт, подпункт) стандарта, нормативного документа
ГОСТ 31610.0-2014 (IEC 60079-0:2011)	Взрывоопасные среды. Часть 0. Оборудование. Общие требования.	Стандарт в целом
ГОСТ 31610.11-2014 (IEC 60079-11:2011)	Взрывоопасные среды. Часть 11. Оборудование с видом взрывозащиты «искробезопасная электрическая цепь «i».	Стандарт в целом

Руководитель (уполномоченное  
лицо) органа по сертификации

Эксперт (эксперт-аудитор)  
(эксперты (эксперты-аудиторы))

*Семин*  
*Шмелев*



Пономарев Михаил Валерьевич

**М.П.** Шмелев Антон Андреевич

(И.О.)



(1) **EU-TYPE EXAMINATION CERTIFICATE**  
 (Translation)

(2) Equipment or Protective Systems Intended for Use in Potentially Explosive Atmospheres - **Directive 2014/34/EU**

(3) EU-Type Examination Certificate Number:

**PTB 18 ATEX 2001**

**Issue: 0**

(4) Product: Positioner TROVIS 3730-1-...

(5) Manufacturer: SAMSON AG Mess- und Regeltechnik

(6) Address: Weismüllerstraße 3, 60314 Frankfurt, Germany

(7) This product and any acceptable variation thereto is specified in the schedule to this certificate and the documents therein referred to.

(8) The Physikalisch-Technische Bundesanstalt, notified body No. 0102 in accordance with Article 17 of the Directive 2014/34/EU of the European Parliament and of the Council, dated 26 February 2014, certifies that this product has been found to comply with the Essential Health and Safety Requirements relating to the design and construction of products intended for use in potentially explosive atmospheres, given in Annex II to the Directive.


The examination and test results are recorded in the confidential Test Report PTB Ex 18-28026.

(9) Compliance with the Essential Health and Safety Requirements has been assured by compliance with:  
**EN 60079-0:2018 EN 60079-11:2012 EN 60079-15:2010 EN 60079-31:2014**

(10) If the sign "X" is placed after the certificate number, it indicates that the product is subject to the Specific Conditions of Use specified in the schedule to this certificate.

(11) This EU-Type Examination Certificate relates only to the design and construction of the specified product in accordance to the Directive 2014/34/EU. Further requirements of the Directive apply to the manufacturing process and supply of this product. These are not covered by this certificate.

(12) The marking of the product shall include the following:

 II 2 G Ex ia IIC T4/T6 Gb and II 2 D Ex ia IIIC T85 °C Db or  
 II 2 D Ex tb IIIC T85 °C Db or  
 II 3 G Ex nA IIC T4/T6 Gc and II 2 D Ex tb IIIC T85 °C Db or  
 II 3 G Ex nA IIC T4/T6 Gc

Konformitätsbewertungsstelle Sektor Explosionsschutz Braunschweig, October 25, 2018  
 On behalf of PTB:

  
 Dr.-Ing. F. Lienesch  
 Direktor und Professor



sheet 1/4

EU-Type Examination Certificates without signature and official stamp shall not be valid. The certificates may be circulated only without alteration. Extracts or alterations are subject to approval by the Physikalisch-Technische Bundesanstalt. In case of dispute, the German text shall prevail.

Physikalisch-Technische Bundesanstalt • Bundesallee 100 • 38116 Braunschweig • GERMANY

ZSEx001e c

(13)

## SCHEDULE

(14) **EU-Type Examination Certificate Number PTB 18 ATEX 2001, Issue: 0**

(15) Description of Product

The positioner of type TROVIS 3730-1-... is a single-acting positioner intended for the installation on pneumatic control valves.

The positioner of type TROVIS 3730-1-... may be manufactured and operated according to the test documents listed in the test report.

The thermal and electrical data are represented as follows:

For general relationship between temperature class and the permissible ambient temperature ranges, reference is made to the following tables:

Applies to type of protection: „ia“

Gas group	Temperature class	Permissible ambient temperature range	Permissible ambient temperature range *)
IIC	T6	-40 °C ... 55 °C	-40 °C ... 45 °C
	T4	-40 °C ... 80 °C	-40 °C ... 70 °C

\*) For the optional operation with inductive limit contact, type 3

Applies to type of protection: „nA“

Gas group	Temperature class	Permissible ambient temperature range
IIC	T6	-40 °C ... 55 °C
	T4	-40 °C ... 80 °C

Applies to type of protection „ia“

Dust group	Max. surface temperature	Permissible ambient temperature range
IIIC	T 85 °C	-40 °C ... 55 °C

sheet 2/4

EU-Type Examination Certificates without signature and official stamp shall not be valid. The certificates may be circulated only without alteration. Extracts or alterations are subject to approval by the Physikalisch-Technische Bundesanstalt. In case of dispute, the German text shall prevail.

Physikalisch-Technische Bundesanstalt • Bundesallee 100 • 38116 Braunschweig • GERMANY

SCHEDULE TO EU-TYPE EXAMINATION CERTIFICATE PTB 18 ATEX 2001 , Issue: 0

Applies to type of protection „tb“

Dust group	Max. surface temperature	Permissible ambient temperature range
IIIC	T 85 °C	-40 °C ... 70 °C

Electrical data for type of protection „ia“:

Signal circuit  
(terminals +11, -12)

type of protection Intrinsic Safety Ex ia IIC / IIIC  
only for connection to a certified intrinsically safe circuit

Maximum values:

$U_i = 28 \text{ V}$   
 $I_i = 115 \text{ mA}$   
 $P_i = 1 \text{ W}$   
 $C_i = 5 \text{ nF}$   
 $L_i = \text{negligible}$

Software-limit contacts  
(terminals +45, -46, +55, -56)

type of protection Intrinsic Safety Ex ia IIC / IIIC  
only for connection to a certified intrinsically safe circuit

Maximum values:

$U_i = 16 \text{ V}$   
 $I_i = 52 \text{ mA}$   
 $P_i = 169 \text{ mW}$   
 $C_i = 15.9 \text{ nF}$   
 $L_i = \text{negligible}$

Limit contact, inductive  
(terminals +41, -42, +51, -52)

type of protection Intrinsic Safety Ex ia IIC / IIIC  
only for connection to a certified intrinsically safe circuit

Maximum values:

Type 2		Type 3	
$U_i = 16 \text{ V}$		$U_i = 16 \text{ V}$	
$I_i = 25 \text{ mA}$		$I_i = 52 \text{ mA}$	
$P_i = 64 \text{ mW}$		$P_i = 169 \text{ mW}$	
$C_i = 35 \text{ nF}$		$C_i = 35 \text{ nF}$	
$L_i = 100 \text{ } \mu\text{H}$		$L_i = 100 \text{ } \mu\text{H}$	

sheet 3/4

EU-Type Examination Certificates without signature and official stamp shall not be valid. The certificates may be circulated only without alteration. Extracts or alterations are subject to approval by the Physikalisch-Technische Bundesanstalt. In case of dispute, the German text shall prevail.

Physikalisch-Technische Bundesanstalt • Bundesallee 100 • 38116 Braunschweig • GERMANY

**SCHEDULE TO EU-TYPE EXAMINATION CERTIFICATE PTB 18 ATEX 2001 , Issue: 0**

Repeater  
 (terminals +31, -32) type of protection Intrinsic Safety Ex ia IIC / IIIC  
 only for connection to a certified intrinsically safe  
 circuit

Maximum values:

$U_i = 28 \text{ V}$   
 $I_i = 115 \text{ mA}$   
 $P_i = 1 \text{ W}$   
 $C_i = 5 \text{ nF}$   
 $L_i = \text{negligible}$

Electrical data for type of protection „nA“ and „tb“:

Signal circuit  
 (terminals +11, -12)  $I_N = 4 \dots 20 \text{ mA}$ ;  $U_N = 6.5 \text{ V}$ ;  $P_N = 140 \text{ mW}$

Software-limit contacts  
 (terminals +45, -46, +55, -56)  $U_N = 8.2 \text{ V}$ ;  $R_i = 1 \text{ k}\Omega$ ;  $P_N = 17 \text{ mW}$

Limit contact, inductive  
 (terminals +41, -42, +51, -52)  $U_N = 8.2 \text{ V}$ ;  $R_i = 1 \text{ k}\Omega$ ;  $P_N = 17 \text{ mW}$

Repeater  
 (terminals +31, -32)  $U_N = 24 \text{ V}$ ;  $P_N = 518 \text{ mW}$

(16) Test Report PTB Ex 18-28026

(17) Specific conditions of use

(18) Essential health and safety requirements

Met by compliance with the aforementioned standards.

Konformitätsbewertungsstelle, Sektor Explosionsschutz  
 On behalf of PTB

Braunschweig, October 25, 2018

  
 Dr.-Ing. F. Liesch  
 Direktor und Professor



sheet 4/4

EU-Type Examination Certificates without signature and official stamp shall not be valid. The certificates may be circulated only without alteration. Extracts or alterations are subject to approval by the Physikalisch-Technische Bundesanstalt. In case of dispute, the German text shall prevail.

Physikalisch-Technische Bundesanstalt • Bundesallee 100 • 38116 Braunschweig • GERMANY



# CERTIFICATE OF CONFORMITY



1. **HAZARDOUS (CLASSIFIED) LOCATION ELECTRICAL EQUIPMENT PER US REQUIREMENTS**
2. **Certificate No:** FM21US0096
3. **Equipment:** Type 3730-1 series TROVIS HART Positioner  
**(Type Reference and Name)**
4. **Name of Listing Company:** Samson AG
5. **Address of Listing Company:** Weismuellerstrasse 3  
Postfach 101901  
Frankfurt D60314  
Germany
6. The examination and test results are recorded in confidential report number:  
PR459607 dated 18<sup>th</sup> October 2022
7. FM Approvals LLC, certifies that the equipment described has been found to comply with the following Approval standards and other documents:  
FM Class 3600:2022, FM Class 3610:2021, FM Class 3611:2021, FM Class 3810:2021,  
ANSI/ISA 60079-0:2020, ANSI/UL 60079-11:2018, ANSI/UL 60079-31:2015, ANSI/ISA 61010-1:2012,  
ANSI/UL 121201:2019, ANSI/IEC 60529:2020, NEMA 250:2008
8. If the sign 'X' is placed after the certificate number, it indicates that the equipment is subject to specific conditions of use specified in the schedule to this certificate.

## Certificate issued by:

*J.E. Marquedant*

J.E. Marquedant  
VP, Manager - Electrical Systems

18 October 2022

Date

To verify the availability of the Approved product, please refer to [www.approvalguide.com](http://www.approvalguide.com)

**THIS CERTIFICATE MAY ONLY BE REPRODUCED IN ITS ENTIRETY AND WITHOUT CHANGE**

FM Approvals LLC, 1151 Boston-Providence Turnpike, Norwood, MA 02062 USA  
T: +1 (1) 781 762 4300 F: +1 (1) 781 762 9375 E-mail: [information@fmaprovals.com](mailto:information@fmaprovals.com) [www.fmaprovals.com](http://www.fmaprovals.com)

F 347 (Apr 21)



Page 1 of 4

# SCHEDULE



US Certificate Of Conformity No: FM21US0096

9. This certificate relates to the design, examination and testing of the products specified herein. The FM Approvals surveillance audit program has further determined that the manufacturing processes and quality control procedures in place are satisfactory to manufacture the product as examined, tested and Approved.

10. Equipment Ratings:

Intrinsically Safe for Class I, II, III, Division 1, Groups A, B, C, D, E, F, and G hazardous (classified) locations in accordance with drawing EB 8484-1, Intrinsically Safe for Class I, Zone 1, Group IIC hazardous (classified) locations in accordance with drawing EB 8484-1; Nonincendive for Class I, II, III, Division 2, Groups A, B, C, D, F and G hazardous locations, indoors and outdoors (Type 4X, IP66) with an ambient temperature rating per the table in Section 12 below

11. The marking of the equipment shall include:

IS Class I, II, III, Division 1, Groups A, B, C, D, E, F, G; T\* Ta\*

IS Class I, Zone 1, AEx ia IIC T\* Gb

NI Class I, II, III, Division 2, Groups A, B, C, D, F and G; T\* Ta\*

Type 4X; IP66

For Entity and NIFW parameters – refer to document no. EB8484-1

T\* - See below

12. **Description of Equipment:**

**General** – The TROVIS 3730-1 Positioner is a single acting positioner for attachment to pneumatic control valves. The positioner mainly consists of a non-contact travel sensor system, an *i/p* converter and the electronics with the microcontroller. The valve position is transmitted either as an angle of rotation or a travel to the pick-up lever, from there to the travel sensor and forwarded to the microcontroller. The PID algorithm in the microcontroller compares the valve position measured by the travel sensor to the 4 to 20 mA DC control signal issued by the control system after it has been converted by the AD converter. In case of a set point deviation, the *i/p* converter causes the actuator to be either vented or filled with air. As a result, the closure member of the valve is moved to the position determined by the reference variable. The pneumatic module is supplied with supply air and the flow rate of the module's output can be restricted by software

**Construction** - The Type TROVIS 3730-1 Positioner mainly consists of the electronics part. The parts are assembled in an enclosure made of aluminium die cast or stainless-steel die cast. The enclosure has a cover with a polymeric inspection window. As an alternative to the polymeric material, the window can be made from aluminium. The enclosure has an ingress protection rating of Type 4X and IP66

**THIS CERTIFICATE MAY ONLY BE REPRODUCED IN ITS ENTIRETY AND WITHOUT CHANGE**

FM Approvals LLC, 1151 Boston-Providence Turnpike, Norwood, MA 02062 USA  
T: +1 (1) 781 762 4300 F: +1 (1) 781 762 9375 E-mail: [information@fmapprovals.com](mailto:information@fmapprovals.com) [www.fmapprovals.com](http://www.fmapprovals.com)

F 347 (Apr 21)

Page 2 of 4

# SCHEDULE

US Certificate Of Conformity No: FM21US0096

## Thermal Ratings:

The correlation between temperature class and permissible ambient temperature range  $T_a$  is shown in Table 2.

Table 2:

Temperature class	Permissible ambient temperature $T_a$
T4	$-40\text{ }^\circ\text{C} \leq T_a \leq +80\text{ }^\circ\text{C}$
T6	$-40\text{ }^\circ\text{C} \leq T_a \leq +55\text{ }^\circ\text{C}$

For operation with inductive limit switches used with  $I_{\max}/I_i = 52\text{ mA}$  and  $P_i = 169\text{ mW}$ , the correlation between temperature class and permissible ambient temperature range is shown in Table 3.

Table 3:

Temperature class	Permissible ambient temperature $T_a$
T4	$-40\text{ }^\circ\text{C} \leq T_a \leq +70\text{ }^\circ\text{C}$
T6	$-40\text{ }^\circ\text{C} \leq T_a \leq +45\text{ }^\circ\text{C}$

## Electrical Ratings:

Circuit	Signal circuit	Position transmitter	Inductive limit switches	Software limit switches
Circuit no.	1	2	3 and 4	5 and 6
Terminal no.	+11 / -12	+31 / -32	+41 / -42 and +51 / -52	+45 / -46 and +55 / -56
$V_{\max}$ or $U_i$	28 V	28 V	16 V	16 V
$I_{\max}$ or $I_i$	115 mA	115 mA	25 mA or 52 mA	52 mA
$P_i$	1 W	1 W	64 mW or 169 mW	169 mW
$C_i$	16.3 nF	11.1 nF	71.1 nF	12.2 nF
$L_i$	Negligible	Negligible	100 $\mu\text{H}$	Negligible
Rated values	$I_N = 4\text{ mA} \dots 20\text{ mA}$	$U_N = 24\text{ V DC}$	* $U_N = 8.2\text{ V}$ $R_i = 1\text{ k}\Omega$	* $U_N = 8.2\text{ V}$ $R_i = 1\text{ k}\Omega$

**THIS CERTIFICATE MAY ONLY BE REPRODUCED IN ITS ENTIRETY AND WITHOUT CHANGE**

FM Approvals LLC, 1151 Boston-Providence Turnpike, Norwood, MA 02062 USA  
T: +1 (1) 781 762 4300 F: +1 (1) 781 762 9375 E-mail: [information@fmaprovals.com](mailto:information@fmaprovals.com) [www.fmaprovals.com](http://www.fmaprovals.com)



# SCHEDULE



US Certificate Of Conformity No: FM21US0096

**Positioner TROVIS / 3730-1...HART  
3730-1-1300efghijklmno**

- e = Slot B Options: 0, or 1
- f = Slot C Options: 0, 2, 3 or 4
- g = reserved: not safety relevant
- h = Electrical connection: 0 or 1
- i = Housing material: 0 or 1
- j = Cover: 1 or 2
- kl = Housing version: not safety relevant
- m = Additional Approval: not safety relevant
- n = Ship Approval: not safety relevant
- o = Permissible ambient temperature: not safety relevant

**13. Specific Conditions of Use:**

None

**14. Test and Assessment Procedure and Conditions:**

This Certificate has been issued in accordance with FM Approvals US Certification Requirements.

**15. Schedule Drawings**

A copy of the technical documentation has been kept by FM Approvals.

**16. Certificate History**

Details of the supplements to this certificate are described below:

Date	Description
18 <sup>th</sup> October 2022	Original Issue.

**THIS CERTIFICATE MAY ONLY BE REPRODUCED IN ITS ENTIRETY AND WITHOUT CHANGE**

FM Approvals LLC, 1151 Boston-Providence Turnpike, Norwood, MA 02062 USA  
T: +1 (1) 781 762 4300 F: +1 (1) 781 762 9375 E-mail: [information@fmaprovals.com](mailto:information@fmaprovals.com) [www.fmaprovals.com](http://www.fmaprovals.com)

# CERTIFICATE OF CONFORMITY



1. HAZARDOUS LOCATION ELECTRICAL EQUIPMENT PER CANADIAN REQUIREMENTS
2. Certificate No: FM21CA0063
3. Equipment: Type 3730-1 series TROVIS HART Positioner  
(Type Reference and Name)
4. Name of Listing Company: Samson AG
5. Address of Listing Company: Weismuellerstrasse 3  
Postfach 101901  
Frankfurt D60314  
Germany
6. The examination and test results are recorded in confidential report number:  
PR459607 dated 18<sup>th</sup> October 2022
7. FM Approvals LLC, certifies that the equipment described has been found to comply with the following Approval standards and other documents:  
CAN/CSA C22.2 No. 94-R2011, CAN/CSA-C22.2 No. 213:2017, CAN/CSA-C22.2 No. 60079-0:2019,  
CAN/CSA-C22.2 No. 60079-11:2014, CAN/CSA C22.2 No. 60079-31:2015,  
CAN/CSA-C22.2 No. 60529:2016, CAN/CSA-C22.2 No. 61010-1:2012
8. If the sign 'X' is placed after the certificate number, it indicates that the equipment is subject to specific conditions of use specified in the schedule to this certificate.

## Certificate issued by:

*J.E. Marquedant*

J.E. Marquedant  
VP, Manager - Electrical Systems

18 October 2022

Date

To verify the availability of the Approved product, please refer to [www.approvalguide.com](http://www.approvalguide.com)

**THIS CERTIFICATE MAY ONLY BE REPRODUCED IN ITS ENTIRETY AND WITHOUT CHANGE**

FM Approvals LLC, 1151 Boston-Providence Turnpike, Norwood, MA 02062 USA  
T: +1 (1) 781 762 4300 F: +1 (1) 781 762 9375 E-mail: [information@fmaprovals.com](mailto:information@fmaprovals.com) [www.fmaprovals.com](http://www.fmaprovals.com)

F 348 (Apr 21)



Page 1 of 4

# SCHEDULE



Canadian Certificate Of Conformity No: FM21CA0063

9. This certificate relates to the design, examination and testing of the products specified herein. The FM Approvals surveillance audit program has further determined that the manufacturing processes and quality control procedures in place are satisfactory to manufacture the product as examined, tested and Approved.

10. Equipment Ratings:

Intrinsically Safe for Class I, II, III Division 1, Groups A, B, C, D, E, F, and G hazardous (classified) locations in accordance with drawing EB 8484-1, Intrinsically Safe for Class I, Zone 1, Group IIC hazardous (classified) locations in accordance with drawing EB 8484-1; Nonincendive for Class I, II, III Division 2, Groups A, B, C, D, F, and G hazardous locations, indoors and outdoors (Type 4X, IP66) with an ambient temperature rating per the table in Section 12 below

11. The marking of the equipment shall include:

IS Class I, II, III, Division 1, Groups A, B, C, D, E, F, G; T\* Ta\*

Ex ia IIC T\* Gb

NI Class I, II, III Division 2, Groups A, B, C, D, F, G; T\* Ta\*

Type 4X; IP66

For Entity and NIFW parameters – refer to document no. EB8484-1

T\* - See below

12. **Description of Equipment:**

**General** – The TROVIS 3730-1 Positioner is a single acting positioner for attachment to pneumatic control valves. The positioner mainly consists of a non-contact travel sensor system, an i/p converter and the electronics with the microcontroller. The valve position is transmitted either as an angle of rotation or a travel to the pick-up lever, from there to the travel sensor and forwarded to the microcontroller. The PID algorithm in the microcontroller compares the valve position measured by the travel sensor to the 4 to 20 mA DC control signal issued by the control system after it has been converted by the AD converter. In case of a set point deviation, the i/p converter causes the actuator to be either vented or filled with air. As a result, the closure member of the valve is moved to the position determined by the reference variable. The pneumatic module is supplied with supply air and the flow rate of the module's output can be restricted by software

**Construction** - The Type TROVIS 3730-1 Positioner mainly consists of the electronics part. The parts are assembled in an enclosure made of aluminium die cast or stainless-steel die cast. The enclosure has a cover with a polymeric inspection window. As an alternative to the polymeric material, the window can be made from aluminium. The enclosure has an ingress protection rating of Type 4X and IP66

**THIS CERTIFICATE MAY ONLY BE REPRODUCED IN ITS ENTIRETY AND WITHOUT CHANGE**

FM Approvals LLC, 1151 Boston-Providence Turnpike, Norwood, MA 02062 USA  
T: +1 (1) 781 762 4300 F: +1 (1) 781 762 9375 E-mail: [information@fmapprovals.com](mailto:information@fmapprovals.com) [www.fmapprovals.com](http://www.fmapprovals.com)

F 348 (Apr 21)

Page 2 of 4

# SCHEDULE



Canadian Certificate Of Conformity No: FM21CA0063

**Thermal Ratings:**

The correlation between temperature class and permissible ambient temperature range  $T_a$  is shown in Table 2.

**Table 2:**

Temperature class	Permissible ambient temperature $T_a$
<b>T4</b>	$-40\text{ }^\circ\text{C} \leq T_a \leq +80\text{ }^\circ\text{C}$
<b>T6</b>	$-40\text{ }^\circ\text{C} \leq T_a \leq +55\text{ }^\circ\text{C}$

For operation with inductive limit switches used with  $I_{max}/I_i = 52\text{ mA}$  and  $P_i = 169\text{ mW}$ , the correlation between temperature class and permissible ambient temperature range is shown in Table 3.

**Table 3:**

Temperature class	Permissible ambient temperature $T_a$
<b>T4</b>	$-40\text{ }^\circ\text{C} \leq T_a \leq +70\text{ }^\circ\text{C}$
<b>T6</b>	$-40\text{ }^\circ\text{C} \leq T_a \leq +45\text{ }^\circ\text{C}$

**Electrical Ratings:**

Circuit	Signal circuit	Position transmitter	Inductive limit switches	Software limit switches
<b>Circuit no.</b>	1	2	3 and 4	5 and 6
<b>Terminal no.</b>	+11 / -12	+31 / -32	+41 / -42 and +51 / -52	+45 / -46 and +55 / -56
<b><math>V_{max}</math> or <math>U_i</math></b>	28 V	28 V	16 V	16 V
<b><math>I_{max}</math> or <math>I_i</math></b>	115 mA	115 mA	25 mA or 52 mA	52 mA
<b><math>P_i</math></b>	1 W	1 W	64 mW or 169 mW	169 mW
<b><math>C_i</math></b>	16.3 nF	11.1 nF	71.1 nF	12.2 nF
<b><math>L_i</math></b>	Negligible	Negligible	100 $\mu\text{H}$	Negligible
<b>Rated values</b>	$I_N = 4\text{ mA} \dots 20\text{ mA}$	$U_N = 24\text{ V DC}$	* $U_N = 8.2\text{ V}$ $R_i = 1\text{ k}\Omega$	* $U_N = 8.2\text{ V}$ $R_i = 1\text{ k}\Omega$

**THIS CERTIFICATE MAY ONLY BE REPRODUCED IN ITS ENTIRETY AND WITHOUT CHANGE**

FM Approvals LLC, 1151 Boston-Providence Turnpike, Norwood, MA 02062 USA  
 T: +1 (1) 781 762 4300 F: +1 (1) 781 762 9375 E-mail: [information@fmaprovals.com](mailto:information@fmaprovals.com) [www.fmaprovals.com](http://www.fmaprovals.com)

F 348 (Apr 21)

Page 3 of 4

# SCHEDULE



Canadian Certificate Of Conformity No: FM21CA0063

**Positioner TROVIS / 3730-1...HART  
3730-1-1300efghijklmno**

- e = Slot B Options: 0, or 1
- f = Slot C Options: 0, 2, 3 or 4
- g = reserved: not safety relevant
- h = Electrical connection: 0 or 1
- i = Housing material: 0 or 1
- j = Cover: 1 or 2
- kl = Housing version: not safety relevant
- m = Additional Approval: not safety relevant
- n = Ship Approval: not safety relevant
- o = Permissible ambient temperature: not safety relevant

**13. Specific Conditions of Use:**

None

**14. Test and Assessment Procedure and Conditions:**

This Certificate has been issued in accordance with FM Approvals Canadian Certification Scheme.

**15. Schedule Drawings**

A copy of the technical documentation has been kept by FM Approvals.

**16. Certificate History**

Details of the supplements to this certificate are described below:

Date	Description
18 <sup>th</sup> October 2022	Original Issue.

**THIS CERTIFICATE MAY ONLY BE REPRODUCED IN ITS ENTIRETY AND WITHOUT CHANGE**

FM Approvals LLC, 1151 Boston-Providence Turnpike, Norwood, MA 02062 USA  
T: +1 (1) 781 762 4300 F: +1 (1) 781 762 9375 E-mail: [information@fmapprovals.com](mailto:information@fmapprovals.com) [www.fmapprovals.com](http://www.fmapprovals.com)

F 348 (Apr 21)

Page 4 of 4

**Installation Manual for Apparatus certified by FM Approvals for use in Hazardous Classified Locations**

Electrical rating of Intrinsically Safe / Non-Incendive Apparatus for installation in Hazardous Locations

**Table 1: Maximum values**

Circuit	Signal Circuit	Position Transmitter	Limit Switches Inductive	Limit Switches Software
<b>Circuit No.</b>	1	2	3 and 4	5 and 6
<b>Terminal No.</b>	+11 / -12	+31 / -32	+41 / -42 and +51 / -52	+45 / -46 and +55 / -56
<b>V<sub>max</sub> or U<sub>i</sub></b>	28 V	28 V	16 V	16 V
<b>I<sub>max</sub> or I<sub>i</sub></b>	115 mA	115 mA	25 mA or 52 mA	52 mA
<b>P<sub>i</sub></b>	1 W	1 W	64 mW or 169 mW	169 mW
<b>C<sub>i</sub></b>	16.3 nF	11.1 nF	71.1 nF	12.2 nF
<b>L<sub>i</sub></b>	negligible	negligible	100 µH	negligible
<b>Rated values</b>	I <sub>N</sub> = 4 mA...20 mA	U <sub>N</sub> = 24 V DC	* U <sub>N</sub> = 8.2 V R <sub>i</sub> = 1 kΩ	* U <sub>N</sub> = 8.2 V R <sub>i</sub> = 1 kΩ

\* For connection to NAMUR switching amplifier acc. to IEC 60947-5-6

**Note: Entity / Nonincendive Field Wiring Parameters must meet the following requirements:**  
 $U_0$  or  $V_{oc} \leq U_i$  or  $V_{max} / I_0$  or  $I_{SC} \leq I_i$  or  $I_{max} / P_0 \leq P_i$  or  $P_{max}$   
 $C_a$  or  $C_0 \geq C_i + C_{Cable} / L_a$  or  $L_0 \geq L_i + L_{Cable}$

The correlation between Temperature Class and permissible ambient temperature range  $T_a$  is shown in Table 2.

**Table 2:**

Temperature Class	Permissible ambient temperature $T_a$
<b>T4</b>	-40 °C ≤ $T_a$ ≤ + 80 °C
<b>T6</b>	-40 °C ≤ $T_a$ ≤ + 55 °C

For operation with Inductive Limit Switches (3793-130.....15 or 3793-130.....16) used with  $I_{max}/I_i = 52$  mA and  $P_i = 169$  mW the correlation between Temperature Class and permissible ambient temperature range is shown in Table 3.

**Table 3:**

Temperature Class	Permissible ambient temperature $T_a$
<b>T4</b>	-40 °C ≤ $T_a$ ≤ + 70 °C
<b>T6</b>	-40 °C ≤ $T_a$ ≤ + 45 °C

Intrinsically Safe when installed as specified in manufacturer’s Installation Manual.

FM approved for Hazardous Locations

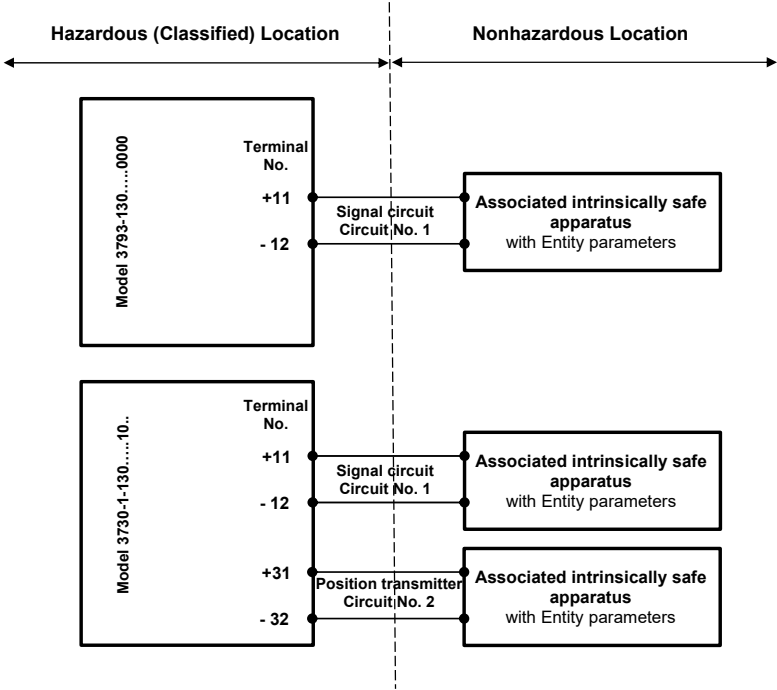
Class I, Division 1 and 2, Groups A, B, C, D

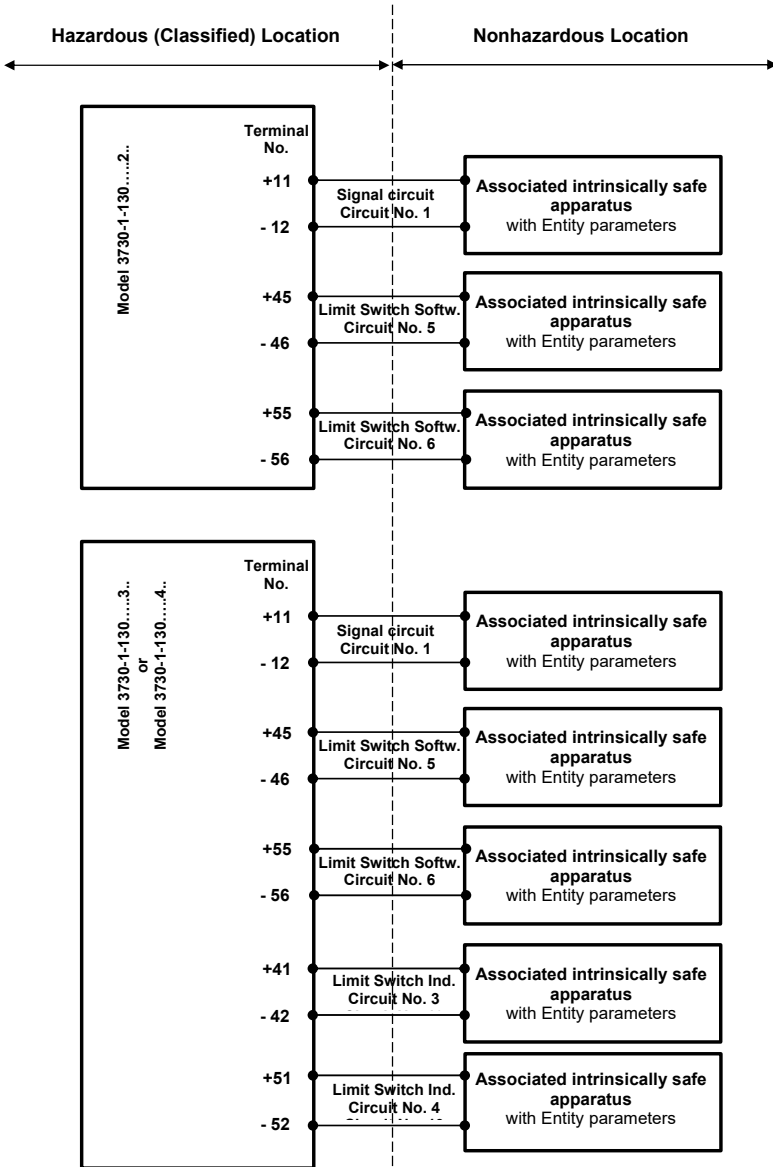
Class II, Division 1, Groups E, F, G

Class III, Division 1

Class I, Zone 1, AEx ia IIC T4/T6

Enclosure Type 4X / IP 66







**Notes:**

1. The apparatus may be installed in intrinsically safe and non-incendive field wiring circuits only when used in conjunction with certified intrinsically safe or non-incendive associated apparatus. For maximum values see Table 1 on page 1.
2. For the interconnection of intrinsically safe and associated intrinsically safe apparatus not specifically examined in combination as a system, the Entity Parameters must meet following requirements:

$$\begin{array}{rcl}
 V_{OC} \text{ or } U_0 & \leq & U_i \text{ or } V_{max} \\
 I_{SC} \text{ or } I_0 & \leq & I_i \text{ or } I_{max} \\
 P_0 & \leq & P_i \text{ or } P_{max} \\
 C_a \text{ or } C_0 & \geq & C_i + C_{Cable} \\
 L_a \text{ or } L_0 & \geq & L_i + L_{Cable}
 \end{array}$$

3. The installation must be in accordance with Canadian Electrical Code C.E.C. Part 1.
4. The installation must be in accordance with the National Electrical Code NFPA 70 and ANSI/ISA RP 12.06.01.
5. Use only supply wires suitable for 5 °C above surrounding temperature.
6. Substitution of components may impair intrinsic safety.
7. The maximum nonhazardous area voltage must not exceed 250 Vrms.
8. Cable entry M20 x 1.5 or metal conduit



# IECEX Certificate of Conformity

## INTERNATIONAL ELECTROTECHNICAL COMMISSION IEC Certification Scheme for Explosive Atmospheres

for rules and details of the IECEx Scheme visit [www.iecex.com](http://www.iecex.com)

Certificate No.: IECEx PTB 19.0010

Issue No: 0

Certificate history:

Issue No. 0 (2019-03-04)

Status: Current

Page 1 of 4

Date of Issue: 2019-03-04

Applicant: SAMSON AG Mess- und Regeltechnik  
Weismüllerstr. 3  
60314 Frankfurt am Main  
Germany

Equipment: Positioner TROVIS 3730-1...

Optional accessory:

Type of Protection: "Ia", "nA", "Ib"

Marking:

Ex Ia IIC T4/T6 Gb and Ex Ia IIIC T85 °C Db or

Ex Ib IIIC T85 °C Db or

Ex nA IIC T4/T6 Gc and Ex Ib IIIC T85 °C Db or

Ex nA IIC T4/T6 Gc

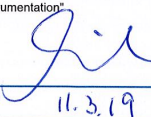
Approved for issue on behalf of the IECEx  
Certification Body:

Dr.-Ing. Frank Lienesch

Position:

Head of Department "Explosion Protection in Sensor Technology and Instrumentation"

Signature:  
(for printed version)

  
11.3.19

Date:

1. This certificate and schedule may only be reproduced in full.
2. This certificate is not transferable and remains the property of the issuing body.
3. The Status and authenticity of this certificate may be verified by visiting the Official IECEx Website.

Certificate issued by:

Physikalisch-Technische Bundesanstalt (PTB)  
Bundesallee 100  
38116 Braunschweig  
Germany





# IECEx Certificate of Conformity

Certificate No: IECEx PTB 19.0010 Issue No: 0

Date of Issue: 2019-03-04 Page 2 of 4

Manufacturer: SAMSON AG Mess- und Regellechnik  
Weismüllerstr. 3  
60314 Frankfurt am Main  
Germany

Additional Manufacturing location(s):

This certificate is issued as verification that a sample(s), representative of production, was assessed and tested and found to comply with the IEC Standard list below and that the manufacturer's quality system, relating to the Ex products covered by this certificate, was assessed and found to comply with the IECEx Quality system requirements. This certificate is granted subject to the conditions as set out in IECEx Scheme Rules, IECEx 02 and Operational Documents as amended.

#### STANDARDS:

The apparatus and any acceptable variations to it specified in the schedule of this certificate and the identified documents, was found to comply with the following standards:

IEC 60079-0 : 2011 Edition: 6.0	Explosive atmospheres - Part 0: General requirements
IEC 60079-11 : 2011 Edition: 6.0	Explosive atmospheres - Part 11: Equipment protection by intrinsic safety "i"
IEC 60079-15 : 2010 Edition: 4	Explosive atmospheres - Part 15: Equipment protection by type of protection "n"
IEC 60079-31 : 2013 Edition: 2	Explosive atmospheres - Part 31: Equipment dust ignition protection by enclosure "t"

*This Certificate does not indicate compliance with electrical safety and performance requirements other than those expressly included in the Standards listed above.*

#### TEST & ASSESSMENT REPORTS:

*A sample(s) of the equipment listed has successfully met the examination and test requirements as recorded in*

#### Test Report:

DE/PTB/EXTR19.0006/00

#### Quality Assessment Report:

DE/TUN/QAR06.0011/08



## IECEx Certificate of Conformity

Certificate No: IECEx PTB 19.0010

Issue No: 0

Date of Issue: 2019-03-04

Page 3 of 4

Schedule

**EQUIPMENT:**

*Equipment and systems covered by this certificate are as follows:*

The positioner of type TROVIS 3730-1-... is a single-acting positioner intended for the installation on pneumatic control valves. For further information reference is made to the annex.

**SPECIFIC CONDITIONS OF USE: NO**



## IECEX Certificate of Conformity

Certificate No: IECEX PTB 19.0010

Issue No: 0

Date of Issue: 2019-03-04

Page 4 of 4

**Additional Information:**

**Annex:**

Annex IECEX PTB 19.0010-00.pdf



Applicant:

**SAMSON AG Mess- und Regeltechnik**

Weismüllerstraße 3, 60019 Frankfurt, Germany

Electrical Apparatus:

**Positioner TROVIS 3730-1...**

The thermal and electrical data are represented as follows:

For general relationship between temperature class and the permissible ambient temperature ranges, reference is made to the following tables:

Applies to type of protection: „ia“

Gas group	Temperatureclass	Permissible ambient temperature range	Permissible ambient temperature range *)
IIC	T6	-40 °C ... 55 °C	-40 °C ... 45 °C
	T4	-40 °C ... 80 °C	-40 °C ... 70 °C

\*) For the optional operation with inductive limit contact, type 3

Applies to type of protection: „nA“

Gas group	Temperatureclass	Permissible ambient temperature range
IIC	T6	-40 °C ... 55 °C
	T4	-40 °C ... 80 °C

Applies to type of protection „ia“

Dust group	Max. surface temperature	Permissible ambient temperature range
IIIC	T 85 °C	-40 °C ... 55 °C



Applies to type of protection „tb“

Dust group	Max. surface temperature	Permissible ambient temperature range
IIC	T 85 °C	-40 °C ... 70 °C

Electrical data for type of protection „ia“:

Signal circuit  
(terminals +11, -12)

type of protection Intrinsic Safety Ex ia IIC / IIC  
only for connection to a certified intrinsically safe circuit

Maximum values:

$U_i = 28$  V  
 $I_i = 115$  mA  
 $P_i = 1$  W  
 $C_i = 5$  nF  
 $L_i =$  negligible

Software-limit contacts  
(terminals +45, -46, +55, -56)

type of protection Intrinsic Safety Ex ia IIC / IIC  
only for connection to a certified intrinsically safe circuit

Maximum values:

$U_i = 16$  V  
 $I_i = 52$  mA  
 $P_i = 169$  mW  
 $C_i = 15.9$  nF  
 $L_i =$  negligible

Limit contact, inductive  
(terminals +41, -42, +51, -52)

type of protection Intrinsic Safety Ex ia IIC / IIC  
only for connection to a certified intrinsically safe circuit

Maximum values:

Type 2		Type 3	
$U_i = 16$	V	$U_i = 16$	V
$I_i = 25$	mA	$I_i = 52$	mA
$P_i = 64$	mW	$P_i = 169$	mW
$C_i = 35$	nF	$C_i = 35$	nF
$L_i = 100$	$\mu$ H	$L_i = 100$	$\mu$ H





Repeater  
(terminals +31, -32)

type of protection Intrinsic Safety Ex ia IIC / IIIC  
only for connection to a certified intrinsically safe  
circuit

Maximum values:

$U_i = 28 \text{ V}$   
 $I_i = 115 \text{ mA}$   
 $P_i = 1 \text{ W}$   
 $C_i = 5 \text{ nF}$   
 $L_i = \text{negligible}$

Electrical data for type of protection „nA“ and „tb“:

Signal circuit  
(terminals +11, -12)

$I_N = 4 \dots 20 \text{ mA}$ ;  $U_N = 6.5 \text{ V}$ ;  $P_N = 140 \text{ mW}$

Software-limit contacts  
(terminals +45, -46, +55, -56)

$U_N = 8.2 \text{ V}$ ;  $R_i = 1 \text{ k}\Omega$ ;  $P_N = 17 \text{ mW}$

Limit contact, inductive  
(terminals +41, -42, +51, -52)

$U_N = 8.2 \text{ V}$ ;  $R_i = 1 \text{ k}\Omega$ ;  $P_N = 17 \text{ mW}$

Repeater  
(terminals +31, -32)

$U_N = 24 \text{ V}$ ;  $P_N = 518 \text{ mW}$








## 16 Appendix A (configuration instructions)

### 16.1 Code list

**i Note**

Values in square brackets [ ] are default settings.




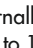
Code	Reading/values	Description
P0	Status reading with basic information	The reading indicates the valve position in % when the positioner is initialized. Press  to show the position of the lever in relation to the mid-position (in degrees).
P1	Reading direction	The reading direction of the display is turned by 180°.
P2	Enable configuration LOCK/[OPEN]	Enable configuration to change parameter settings. If no settings are entered within five minutes, the initialized positioner automatically changes from OPEN to LOCK.
P3	Fail-safe position [ATO]/ATC	Define the fail-safe position of the valve taking the valve type and the actuator's direction of action into account: <b>ATO</b> (air to open): the signal pressure opens the valve, e.g. for a fail-close valve. <b>ATC</b> (air to close): the signal pressure closes the valve, e.g. for a fail-open valve. → <b>Positioner needs to be re-initialized after changing the parameter setting.</b>
P4	Pin position [35]	Insert follower pin in the proper position depending on the valve travel/opening angle (see the 'Installation' chapter). Settings: 17/25/[35]/50/70/100/200/300 mm; 90° → <b>Positioner needs to be re-initialized after changing the parameter setting.</b>







## Appendix A (configuration instructions)

Code	Reading/values	Description
P5	Nominal range [MAX]	<p>The possible adjustment range can be selected in steps of 0.5 mm depending on the selected pin position:</p> <p><b>17</b> From 3.5 to 17.5 mm, alternatively <b>MAX</b>  <b>25</b> From 5.0 to 25.0 mm, alternatively <b>MAX</b>  <b>35</b> From 7.0 to 35.0 mm, alternatively <b>MAX</b>  <b>50</b> From 10.0 to 50.0 mm, alternatively <b>MAX</b>  <b>70</b> From 14.0 to 70.0 mm, alternatively <b>MAX</b>  <b>100</b> From 20.0 to 100.0 mm, alternatively <b>MAX</b>  <b>200</b> From 40.0 to 200.0 mm, alternatively <b>MAX</b>  <b>300</b> From 60.0 to 300.0 mm, alternatively <b>MAX</b></p> <p>For <b>90°</b> Maximum range only, if <b>P4 = 90°</b>  <b>(MAX = Maximum possible travel)</b></p> <p><b>→ Positioner needs to be re-initialized after changing the parameter setting.</b></p>
P6	Characteristic [0] to 8	<p>Characteristic selection (see Chapter 16.2):  0, 1, 2 for globe valves, 0 to 8 with rotary actuators (<b>P4 = 90°</b>)</p> <p>0 Linear  1 Equal percentage  2 Reverse equal percentage  3 Butterfly valve, linear  4 Butterfly valve, equal percentage  5 Rotary plug valve, linear  6 Rotary plug valve, equal percentage  7 Segmented ball valve, linear  8 Segmented ball valve, equal percentage</p>
P7	Set point [4-20]/SRLO/SRHI	<p><b>4-20</b>: normal operation with 4 to 20 mA  For split-range operation  <b>SRLO</b>: low range 4 to 11.9 mA  <b>SRHI</b>: high range 12.1 to 20 mA</p>
P8	Direction of action w/x [>>]/<<	<p>Direction of action of the set point w to the valve position x:  &gt;&gt; (increasing/increasing) or &lt;&lt; (increasing/decreasing)</p>
P9	Gain $K_p$ 25/[50]/75/100	<p>On initializing the positioner, the gain is set to the selected value. SAMSONWe recommend the following setting:</p> <p><math>K_p = 25</math>: Actuator size 120 cm<sup>2</sup>  <math>K_p = 50</math>: Actuator size &gt;120 cm<sup>2</sup>  <math>K_p = 75</math>: Actuator size ≥355 cm<sup>2</sup>  <math>K_p = 100</math>: Actuator size ≥1400 cm<sup>2</sup></p> <p>If the positioner hunts, the <math>K_p</math> value can be reduced. Alternatively, use a screw restriction.</p>

Code	Reading/values	Description
P10	<b>Control response</b> [PID]/PD	The integral action in the control parameters can be deactivated.
P11	<b>Pressure limitation</b> ON/[OFF]	The signal pressure can take on the same pressure as the supply air at the maximum [OFF] or, in the case that the maximum actuator force can damage the valve, the pressure is limited to approx. 2.4 bar [ON].
P12	<b>Set point cutoff decrease (end position <math>w &lt;</math>)</b> [ON]/OFF	Lower tight-closing function: If $w$ reaches up to 1 % towards the final value that causes the valve to close, the actuator is immediately completely vented (with <b>ATO</b> : air to open) or filled with air (with <b>ATC</b> : air to close).
P13	<b>Set point cutoff increase (end position <math>w &gt;</math>)</b> ON/[OFF]	Upper tight-closing function: If $w$ reaches up to 99 % towards the final value that causes the valve to open, the actuator is immediately completely filled with air (with <b>ATO</b> : air to open) or vented (with <b>ATC</b> : air to close).
P14	<b>Switching mode of software limit contact</b> [NO.NO]	Switching mode of software limit contact 1 (SLS1) and 2 (SLS2) when activated (when the positioner has been initialized). <ul style="list-style-type: none"> <li>– Explosion-protected version according to EN 60947-5-6: <ul style="list-style-type: none"> <li><b>NO.NC</b>: SLS1 Conductive      SLS2 Non-conducting</li> <li><b>NO.NO</b>: SLS1 Conductive      SLS2 Conductive</li> <li><b>NC.NC</b>: SLS1 Non-conducting   SLS2 Non-conducting</li> <li><b>NC.NO</b>: SLS1 Non-conducting   SLS2 Conductive</li> </ul> </li> <li>– Version without explosion protection: <ul style="list-style-type: none"> <li><b>NO.NC</b>: SLS1 Conductive      SLS2 Non-conducting</li> <li><b>NO.NO</b>: SLS1 Conductive      SLS2 Conductive</li> <li><b>NC.NC</b>: SLS1 Non-conducting   SLS2 Non-conducting</li> <li><b>NC.NO</b>: SLS1 Non-conducting   SLS2 Conductive</li> </ul> </li> </ul> <p>When the positioner has not been initialized, the signal states of the software limit contacts are the same as in the state of no response. If there is no mA signal at the terminals 11/12, both software limit contacts switch to the non-conducting state.</p>
P15	<b>Switching threshold of software limit contact 1</b> –20 to 120 % [2 %]	Software limit 1 is displayed or can be changed in relation to the operating range (steps of 0.5 %). The contact switches to the responded state (Code <b>P14</b> ) when the value <b>falls below</b> the limit.

## Appendix A (configuration instructions)

Code	Reading/values	Description
<b>P16</b>	<b>Switching threshold of software limit contact 2</b> -20 to 120 % [98 %]	Software limit 2 is displayed or can be changed in relation to the operating range (steps of 0.5 %). The contact switches to the responded state (Code <b>P14</b> ) when the value <b>exceeds</b> the limit.
<b>P17</b>	<b>Software limit contact test</b>	Executable test function for the software limit contacts 1 and 2 To start the test, keep  pressed for 3 s. Select <b>SLS1</b> to start the test for software limit contact 1 or <b>SLS2</b> software limit contact 2. Press  to confirm. The selected contact is switched five times.
<b>P18</b>	<b>Position transmitter</b> [>>]/<<	Setting the direction of action of the position transmitter: The direction of action indicates the assignment between travel/ angle position and output signal of the position transmitter based on the CLOSED position. The operating range of the valve is represented by as a 4 to 20 mA current signal. Values exceeding or falling below the limits 2.4 and 21.6 mA can be indicated. If the positioner is not powered (signal <3.8 mA), the output signal is <1.4 mA or 3.8 mA (when the positioner is not initialized).
<b>P19</b>	<b>Fault indication function</b> [NO]/HIGH/LOW	The output signal of the position transmitter is issued independently from the valve position and can be set to indicate a fault as follows: <b>NO:</b> no signal <b>HIGH:</b> signal = $21.6 \pm 0.1$ mA <b>LOW:</b> signal = $2.4 \pm 0.1$ mA
<b>P20</b>	<b>Position transmitter test</b> -10.0 to 110.0 %	Executable test function for the position transmitter: Values from -10.0 to +110.0 % (based on the operating range) can be entered in steps of 0.5 %. To start the test, keep  pressed for 3 s, select the percentage and confirm.
<b>P21</b>	<b>Reading of set point w</b>	When the positioner has been initialized: Displays the external set point in 0 to 100 % corresponding to 4 to 20 mA. Press  to read the internally adjusted set point in the positioner (adjusted set point in 0 to 100 % according to the settings in Code <b>P7</b> and <b>P8</b> ). When the positioner has not been initialized: Displays external set point in 0 to 100 % according to the 4-20 mA signal.

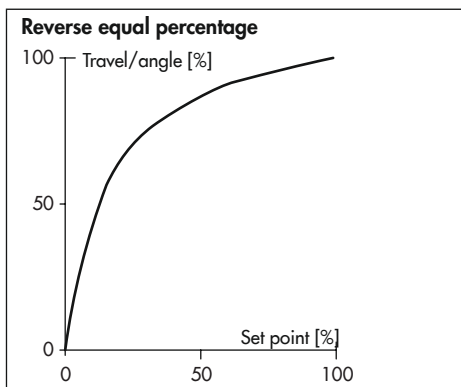
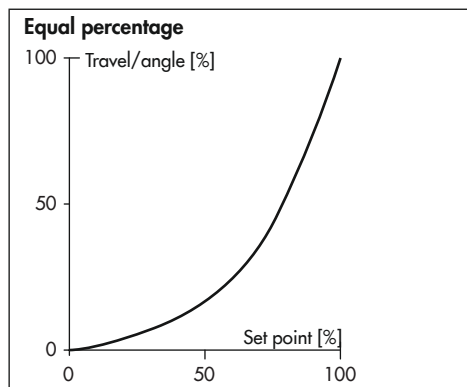
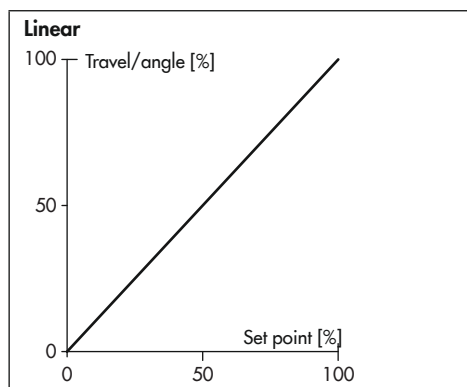
Code	Reading/values	Description
P22	Start initialization	<p>Start initialization by pressing . Press  to cancel the initialization process. As a result, the valve moves to the fail-safe position when it has not been initialized properly beforehand. If it has been initialized properly, the positioner returns to closed-loop operation using the former parameters.</p> <p>After a power supply failure during initialization, the positioner starts with the values of the last initialization (if available).</p>
P23	Start zero calibration	<p>Start zero calibration by pressing . The zero calibration process can be interrupted by pressing . The control valve returns to closed-loop operation.</p> <p>After a power supply failure during zero calibration, the positioner starts with the settings from the last zero calibration.</p> <p><b>Note:</b> A zero calibration cannot be started when <b>E1</b> error code exists.</p>
P24	Manual mode	Turn  to enter the set point.
P25	Reset	<p>Parameters are reset to their default setting.</p> <p>The positioner can only return to closed-loop operation after it has been re-initialized.</p>
P26	Restart	The positioner is briefly switched off and on again. Calibration values remain saved. The positioner continues closed-loop operation after a restart.
P27	Firmware version	Installed firmware version is displayed. Press  to display the last four digits of the serial number.

## 16.2 Valve characteristic selection

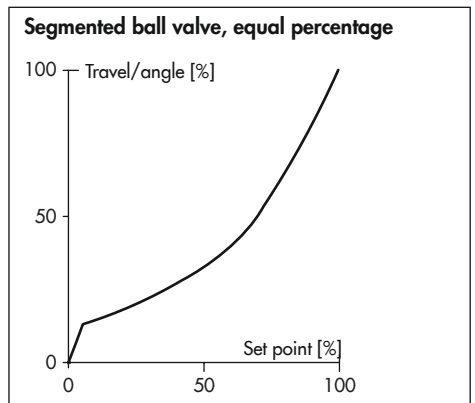
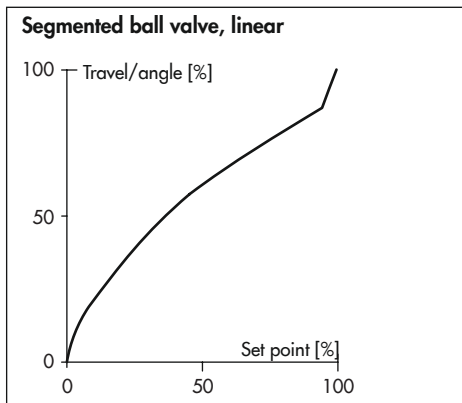
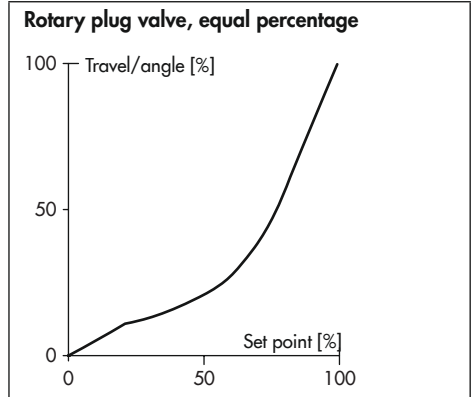
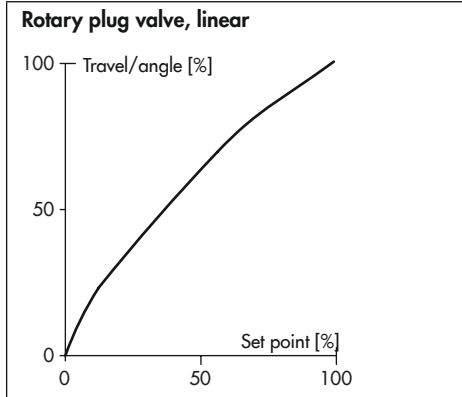
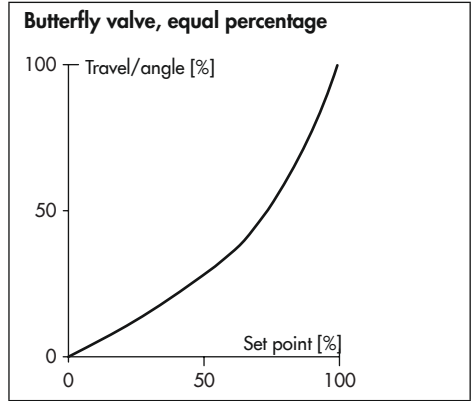
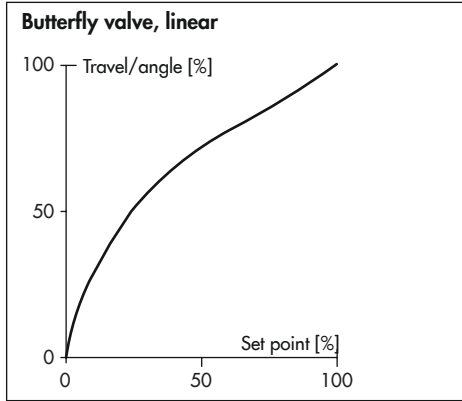
The characteristics that can be selected in menu item **8.1.9** are shown in the following in graph form.

**i Note**

*A characteristic can only be defined (user-defined characteristic) using an operating software (e.g. SAMSON's TROVIS-VIEW or DD/DTM/EDD).*









## 17 Appendix B

### 17.1 After-sales service

Contact our after-sales service for support concerning service or repair work or when malfunctions or defects arise.

You can reach our after-sales service at [aftersalesservice@samsongroup.com](mailto:aftersalesservice@samsongroup.com).

#### **Addresses of SAMSON AG and its subsidiaries**

The addresses of SAMSON AG, its subsidiaries, representatives and service facilities worldwide can be found on our website ([www.samsongroup.com](http://www.samsongroup.com)) or in all SAMSON product catalogs.

#### **Required specifications**

Please submit the following details:

- Order number and position number in the order
- Model number, configuration ID, serial number, firmware version (see the 'Markings on the device' chapter for nameplate details)









**EB 8484-1 EN**



SAMSON AKTIENGESELLSCHAFT  
Weismüllerstraße 3 · 60314 Frankfurt am Main, Germany  
Phone: +49 69 4009-0 · Fax: +49 69 4009-1507  
samson@samsongroup.com · www.samsongroup.com