

MOUNTING AND OPERATING INSTRUCTIONS



EB 28a

Translation of the original manual



Metering ball valve BR 28a • DIN and ANSI version
to combine with actuators
for installation in piggable pipes

November 2023 edition



Note regarding this installation and operating manual

This Installation and Operating Manual (EB) provides guidance for safe assembly and operation.

The notes and instructions in this EB are binding when handling PFEIFFER devices. The figures and illustrations in this EB are examples and must therefore be considered as such.

- ⇒ For safe and correct use, read this EB carefully prior to use and keep it for later reference.
- ⇒ In the case of questions that go beyond the scope of this EB, please contact the After Sales Service at PFEIFFER Chemie-Armaturenbau GmbH.
- ⇒ This manual only applies to the metering ball valve itself, the respective additional manual applies for the mounted actuator.

Definition of signal words

 DANGER

Hazardous situations that lead to death or serious injuries

 WARNING

Situations that can lead to death or serious injuries

 NOTE

Property damage and malfunctions

 Info

Additional information

 Tip

Recommended action

Content

1	Safety instructions and safety measures	1-1
1.1	Notes regarding possible severe personnel injury	1-2
1.2	Notes regarding possible personnel injury	1-2
1.3	Notes regarding possible property damage	1-3
1.4	Warning notes on the device	1-4
2	Markings on the device	2-1
2.1	Type plate	2-2
2.1.1	Actuator type plate	2-2
2.2	Material identification	2-2
3	Design and principle of operation	3-1
3.1	Variants	3-1
3.2	Additional fittings	3-1
3.3	Attachments	3-2
3.4	Technical data	3-2
3.5	Metering ball valve assembly	3-2
3.5.1	Preparation of the assembly	3-2
3.5.2	Assembly of the main body	3-2
3.5.3	Assembly of the side body	3-2
3.5.4	Final assembly of the metering ball valve	3-2
4	Shipment and on-site transport	4-1
4.1	Accepting delivery	4-1
4.2	Unpacking the metering ball valve	4-1
4.3	Transporting and lifting the metering ball valve	4-1
4.3.1	Transporting	4-1
4.3.2	Lifting	4-1
4.3.3	Lifting points on the body	4-2
4.3.4	Lifting points on the bracket	4-2
4.4	Storing the metering ball valve	4-3
5	Installation	5-1
5.1	Installation conditions	5-1
5.2	Preparing for assembly	5-1
5.3	Assembling the metering ball valve and actuator	5-1
5.4	Installing the metering ball valve in the pipe	5-2
5.4.1	General	5-2
5.4.2	Installing the metering ball valve	5-3
5.5	Checking the assembled metering ball valve	5-3
5.5.1	Functional test	5-3
5.5.2	Pressure test of the pipe section	5-3
5.5.3	Rotary movement	5-3
5.5.4	Fail-safe position	5-4

Content

6 Start-up	6-1
7 Operation	7-1
8 Malfunction	8-1
8.1 Detecting and rectifying errors	8-1
8.2 Carrying out emergency measures	8-2
9 Servicing	9-1
9.1 Periodic tests	9-1
9.2 Maintenance work	9-2
9.2.1 Replacing the seal rings and ball	9-2
9.3 Ordering spare parts and consumables	9-2
10 Decommissioning	10-1
11 Removal	11-1
11.1 Removing the metering ball valve from the pipe	11-1
11.2 Disassembling the actuator	11-1
12 Repairs	12-1
12.1 Replacing the V-ring packing	12-1
12.2 Replacing the seal ring and the ball	12-1
12.3 Additional repairs	12-1
12.4 Additional repairs	12-1
12.5 Sending devices to PFEIFFER	12-1
13 Disposal	13-1
14 Certificates	14-1
15 Annex	15-1
15.1 Tightening torques, lubricant and tools	15-1
15.1.1 Tightening torques	15-1
15.1.2 Lubricant	15-2
15.1.3 Tools	15-2
15.2 Spare parts	15-2
15.2.1 Spare parts of the metering ball valve	15-3
15.3 Service	15-4

1 Safety instructions and safety measures

Intended use

The BR 28a piggable metering ball valve is manually operated in combination with an actuator for the regulation of the volume flow, pressure and temperature of fluid media.

- The ball valve and its actuator are designed for precisely defined conditions (e.g. operating pressure, utilised medium, temperature).

Therefore the operator must make sure that the ball valve is only used when the conditions of use comply with the design criteria defined in the order.

If the operator would like to use the ball valve in other applications or environments, they must contact PFEIFFER.

- Manual ball valves are only intended for use, after installation in a pipe system, to cut off the media, let it flow through or regulate it within the permitted pressure and temperature limits.
- Automated ball valves are only intended for use, after installation in a pipe system and after connecting the drive to the control, to cut off the media, let it flow through or regulate it within the permitted pressure and temperature limits.
- The data sheet contains the permissible pressure and temperature range for these ball valves ► TB 28a.
- The safety regulations that apply to the pipe system in which the metering ball valves are installed and to the control system to which the actuator is connected also apply to the ball valves.

This manual only provides safety instructions that are to be observed additionally for ball valves.

There may be additional safety instructions in the manuals for the actuator assemblies.

- It is assumed that this chapter is observed when using the valve as intended.

Reasonably foreseeable erroneous use and unintended use

The ball valve is not suited for the following areas of use:

- Use outside of the technical data and the limits defined by the design.
- Use outside of the limited defined by the peripheral devices installed on the ball valve.

Furthermore, the following activities are considered unintended use:

- Use of third-party spare parts.
- Performance of maintenance and repair work that is not described.

Qualification of operating personnel

The ball valve may only be disassembled, dismantled, assembled and commissioned by qualified specialist personnel trained in pressurised pipes who are familiar with the assembly, commissioning and operation of this product.

- Specialist personnel in terms of this installation and operating manual are persons who, on the basis of their vocational education, knowledge and experience and knowledge of the relevant standards, are capable of evaluating the assigned tasks and identifying possible hazards.

Personal protective equipment

Depending on the utilized medium, PFEIFFER recommends the following protective equipment:

- Protective garments, protective gloves and eye protection when using hot, cold, aggressive and/or corrosive media.
- Hearing protection when working near the valves.
- Request additional protective equipment from the plant operator.

Prohibition of modifications

Changes to the product are not permitted without consulting PFEIFFER. Non-compliance invalidates the warranty and product guarantee. PFEIFFER shall not be held liable for any resulting property damage or personal injury.

Protective devices

In the case of a power supply failure, the automated ball valve automatically switches to a certain fail-safe position, see "Fail-safe positions" in Chapter "3 Design and principle of operation".

- The fail-safe position corresponds to the effective direction and is indicated on the type plate of the actuators, see the actuator documentation.
- The valve is to be included in the equipotential bonding of the plant.

Warning of residual risks

To prevent personal injury or property damage, the operator and operating personnel must use suitable measures to prevent the hazards that can result from the flow medium and operating pressure as well as the signal pressure and moving parts of the ball valve.

- Therefore, the operator and operating personnel must observe all the hazard information, warning information and information in this installation and operating manual.

Obligation of the operator to exercise diligence

The operator is responsible for proper operation as well as compliance with the safety regulations.

- The operator is responsible for providing operating personnel with this installation and operating manual as well as the applicable documents and to provide instructions on proper operation.
- Furthermore, the operator must ensure that operating personnel and third parties are not endangered.

It is not the responsibility of PFEIFFER and therefore when using the ball valve ensure that:

- The ball valve is only used as intended as described in this chapter.

- An actuator unit that is subsequently installed on the ball valve is adapted to the ball valve and the max. torque is observed, and is correctly adjusted in the end positions, and in particular in the opening position of the ball valve.
- The piggable pipe system and control system are properly installed and regularly checked. The wall thickness of the ball valve body is measured such that an additional load of the usual magnitude is taken into account for a pipe system installed properly in this way.
- The valve is connected properly to these systems.
- The customary flow rates in continuous operation are not exceeded in this piggable pipe system.
- PFEIFFER is contacted in the case of abnormal operating conditions, such as vibrations, hydraulic shock, cavitation and also small amounts of solid matter in the medium, especially abrasive matter.

Obligation of operating personnel to exercise diligence

Operating personnel must be familiar with this installation and operating manual and the applicable documents and comply with the indicated hazard information, warning information and other information. Furthermore, operating personnel must be familiar with the applicable regulations concerning occupational safety and accident prevention and observe them.

Applicable standards and directives

- The ball valves fulfil the requirements of the European Pressure Equipment Directive 2014/68/EU and the European Machinery Directive 2006/42/EC.

In the case of ball valves provided with a CE marking, the Declaration of Conformity provides information about the conformity assessment procedure that was used.

The corresponding declarations of conformity are available in the Annex of this EB, see chapter "14 Certificates".

- According to an ignition hazard assessment according to DIN EN ISO 80079-36, PFEIFFER valves do not have any own potential ignition sources and therefore are not subject to Directive 2014/34/EU.

CE marking based on this standard is not permitted. The inclusion of valves in the equipotential bonding of a plant applies independently of the directive for all metal parts in potentially explosive areas.

1.1 Notes regarding possible severe personnel injury

DANGER

Hazards and ineffectiveness of the warranty!

In the case of non-compliance with the following hazard and warning information, hazards may arise and the warranty provided by PFEIFFER may become invalid.

- ⇒ Observe the following hazards and warning information.
- ⇒ Contact PFEIFFER in the case of questions:

DANGER

Hazards and damage due to unsuitable ball valves!

Ball valves whose permissible pressure/temperature range (=“rating”) is not sufficient for the operating conditions can pose a danger to the user and cause damage to the pipe system.

- ⇒ Only operate ball valves whose permissible pressure/temperature range (=“rating”) is sufficient for the operating conditions. (see data sheet ► TB 28a)

Risk of bursting of the pressure equipment!

Ball valves and pipes are pressure equipment. Improper opening can cause the bursting of ball valve components.

- ⇒ Observe the maximum permissible pressure for the ball valve and plant.
- ⇒ Before working on the ball valve, depressurise the concerned plant parts and the ball valve.
- ⇒ Before removing the ball valve from the pipe, completely release the pressure in the pipe so that the medium does not escape uncontrolled from the line.
- ⇒ Bring the ball valve into the open position so the pressure is released from the ball.
- ⇒ Empty the medium from the concerned plant parts and ball valve. (Wear protective equipment)

1.2 Notes regarding possible personnel injury

WARNING

Danger of burning due to hot or cold components and pipes!

Depending on the utilised medium, ball valve components and pipes can become very hot or very cold and cause burns upon contact.

- ⇒ The ball valves must be protected against contact in the case of operating temperatures $>+50\text{ °C}$ or $<-20\text{ °C}$ together with the pipe connections.

Danger of injury during the switching operation if performing test runs on ball valves not installed in the pipe!

- ⇒ Do not reach into the ball valve. This can result in serious injuries.

Danger of crushing due to moving parts!

The ball valve contains moving parts (actuator stem, control shaft and hand lever) that can lead to crushing if reaching into it.

- ⇒ Do not reach into the yoke during operation.
- ⇒ When working on the ball valve, interrupt and lock pneumatic energy and the control signal.
- ⇒ Bleed the actuator.

Danger of injury due to venting the actuator!

During operation, when regulating or opening and closing the ball valve, the actuator can be ventilated.

- ⇒ Install the ball valve such that the actuator does not ventilate at eye level.
- ⇒ Use suitable silencers and plugs.
- ⇒ Wear eye protection and, if necessary, hearing protection when working near valves.

⚠ WARNING**Danger of injury due to preloaded springs!**

Ball valves that are equipped with preloaded actuator springs are under mechanical tension.

- ⇒ Before working on the actuator, release the compression from the preloaded springs, see the corresponding actuator documentation.

Danger of injury due to residual medium in the ball valve!

When a ball valve must be removed from a pipe, medium can escape from the pipe or the ball valve.

- ⇒ In the case of media that is harmful to health or hazardous, the pipe must be completely emptied before a ball valve can be removed.
- ⇒ Pay attention to the afterflow of residuals or residuals that remain in dead spots.

Danger of injury due to the releasing of body screw connections!

If the body screw connections must be released, medium can escape from the ball valve.

- ⇒ The screw connections on the connection of the body parts may only be released or loosened after the ball valve has been removed.
- ⇒ During reassembly, tighten the screws according to Table 15-1 and Table 15-2 in Chapter "15.1.1 Tightening torques" using a torque wrench.

Hazards due to incorrect ball valve use!

The incorrect use of the ball valve can represent a hazard for the user and cause damage to the pipe system that are then no longer the responsibility of PFEIFFER.

- ⇒ The material selected for the parts of the ball valve that come into contact with the media must be suitable for the utilised media, pressures and temperatures.

Protection against using the wrong pig!

The valve shape and size have been adapted to the pigs to be used according to the customer specifications.

- ⇒ In case other pigs are to be used, Pfeiffer must check and confirm the valve's suitability first.

Dangers due to use as an end fitting!

During normal operation, in particular with gaseous, hot and/or hazardous media, spraying medium can cause hazards. It must be kept in mind that the media is usually hazardous!

- ⇒ A blind flange must be assembled on the free connecting pieces or the ball valve must be secured against unauthorised actuation.
- ⇒ If a ball valve used as an end fitting in a pressurised line is opened, this may only be done with extreme caution so that the escaping medium does not cause any damage.

1.3 Notes regarding possible property damage

! NOTE**Damage to the ball valve due to contamination!**

Contamination (e.g. solid particles) in the pipes can damage the ball valve.

- ⇒ The plant operator is responsible for cleaning the pipes in the plant.
- ⇒ Rinse the pipes prior to commissioning.
- ⇒ Observe the maximum permissible pressure for the ball valve and plant.

Damage to the ball valve due to unsuitable medium properties!

The ball valve is designed for a medium with certain properties. Other media can damage the ball valve.

- ⇒ Only use a medium that corresponds to the design criteria.

Damage to the ball valve and leakage due to excessively high or low tightening torques!

The ball valve components must be tightened with specific torques. Deviating torques can lead to ball valve leakage or damage.

- ⇒ Excessively tightened components are subject to increased wear.
- ⇒ Insufficiently tightened components can cause leakage.
- ⇒ Observe the tightening torques, see Table 15-1 and Table 15-2 in Chapter "15.1.1 Tightening torques".

Damage to the ball valve due to an impermissible pressure increase!

The ball valve body may contain small amounts of medium in the closed and open position.

- ⇒ Use a ball valve with an optional relief bore if it is possible that the closed area of the ball filled with medium can heat up due to external heat. (This prevents an impermissible pressure)

Deviation of the breakaway and actuating forces due to non-actuation of the ball valve!

Depending on the period of time of non-actuation, the breakaway and actuation forces can deviate considerably from the actuating power data in the data sheet.

It is recommended to actuate the ball valve at regular intervals.

- ⇒ In consideration of the design, actuation must take place during the year.
- ⇒ Indicate the duration of non-actuation when making an enquiry, so that this condition is taken into consideration in the actuator design.
- ⇒ In the case of retrofitted actuators by the operator, the correct actuator design as regards the duration of non-actuation is no longer the responsibility of PFEIFFER.

Damage to the ball valve due to system vibrations!

- ⇒ If necessary, use a locking device to prevent manually operated ball valves from moving automatically in the event of strong system vibrations.

NOTE

Damage to the ball valve due to unsuitable tools!

Unsuitable tools can damage the ball valve.

⇒ Suitable tools are required to work on the ball valve, see Chapter "15.1.3 Tools".

Damage to the ball valve due to unsuitable lubricants!

Unsuitable lubricants can corrode and damage the surface.

⇒ The ball valve material requires suitable lubricants, see Chapter "15.1.2 Lubricants".

1.4 Warning notes on the device

Warning of moving parts

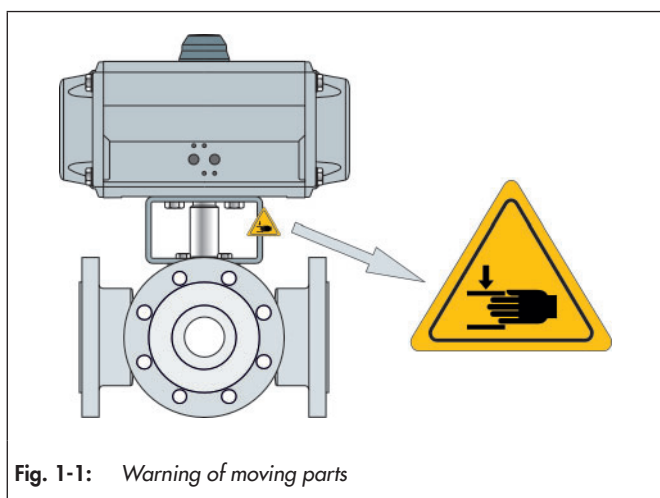


Fig. 1-1: Warning of moving parts

There is a danger of crushing due to the rotary movements of the actuator- and control shaft when reaching into the yoke as long as the pneumatic power is connected to the actuator. At the operator's request, a warning note can be attached to the valve.

2 Markings on the device

Each metering ball valve usually has the following marking.

Table 2-1: Marking on the type plate and on the body of the ball valve

Pos.	For	Marking	Remark
1	Manufacturer	PFEIFFER	Address see Chapter "1.5.3 Service"
2	Valve type	BR (and number value)	e.g. BR 28a = Series 28a, see the PFEIFFER catalogue
3	Body material	e.g. 1.4571	Material standard acc. to DIN EN 10272
4	Size	DN (and number value)	Number value in [mm], e.g. DN 50 / number value in [inches], e.g. NPS2
5	Maximum pressure	PN (and number value)	Number value in [bar] e.g. PN 40 / number value, e.g. c150 at room temperature
6	Max. permissible operating temperature	TS (and number value)	PS and TS are related values here at the max. permissible operating temperature with the max. permissible operating overpressure, see pressure-temperature diagram in data sheet ▶ TB 28a.
	Max. permissible operating pressure	PS (and number value)	
7	Test pressure	PT (and number value)	The test pressure must be observed depending on the device
8	Manufacturer number from 2018	e.g. 331234/001/001	<p>33 1234 /001 /001</p> <p>Valve no. within the item</p> <p>Item in the order</p> <p>Order</p> <p>Year of manufacture (38=2018, 39=2019, 30=2020, 31=2021, 32=2022, 33=2023 etc.)</p>
	Manufacturer number 2009 to 2017	e.g. 211234/001/001	<p>21 1234 /001 /001</p> <p>Valve no. within the item</p> <p>Item in the order</p> <p>Order</p> <p>Year of manufacture (29=2009, 20=2010, 21=2011, 22=2012 etc.)</p>
	Manufacturer number until 2008	e.g. 2071234/001/001	<p>207 1234 /001 /001</p> <p>Valve no. within the item</p> <p>Item in the order</p> <p>Order</p> <p>Year of manufacture (205=2005, 206=2006, 207=2007 etc.)</p>
09	Year of manufacture	e.g. 2023	Upon customer request, the year of manufacture can also be indicated on the valve
10	Data/Matrix code		
11	Conformity	CE	Conformity is certified separately by PFEIFFER
	Code No.	0035	"Notified body" according to EU Directive = TÜV Rheinland Service GmbH
12	Flow direction	➔	Attention: see the note in Chapter "5.4 Installing the metering ball valve in the pipe"

i Info

Markings on the body and the type plate must be permanent so that the valve remains identifiable.

2.1 Type plate

2.1.1 Actuator type plate

See the corresponding actuator documentation.

2.2 Material identification

The ball valves are marked on the body with the material specification; see "Table 2-1: Marking on the type plate and on the body of the ball valve".

Further details can be obtained from PFEIFFER.

3 Design and principle of operation

Characteristics:

- Inside diameter of pipe, according to DIN 2430
- Seat rings, spring-loaded on one side
- Floating ball, i.e. sealed by both seat rings
- Shaft sealed by a V-ring packing loaded by disc spring set
- Blow out proof shaft
- Anti static version with conductive shaft bearing
- Piggable flanges in the passage of the ball valve according to DIN 2430-2 with a projection. Non-piggable flanges according to DIN 1092-1 with sealing strip form B or according to customer-specific requirements.
- Connections for actuators acc. to DIN ISO 5211

Versions

The valve consists of a T-piece, which, because of its unique construction enables completely cavity-free pigging, and performs the following functions according to various versions:

- In **One-pigging system**:
 - As media inlet
- In **Two-pigging system**:
 - With optional, special blind flange as end station with media inlet and media outlet
 - To meter, for additional substances directly into the media flow
 - With option "Stopper ball valve" BR 28y as media inlet or media outlet

Optional material combination

- Shaft and ball on request
- Sealing rings in PTFE-compounds
- Sealing in graphite

Function and principle of operation

The BR 28a metering ball valves are used for meter medium into a piggable piping system.

The shape of the ball, ensures that the pigging pipeline is not constricted.

The ball (3) with its cylindrical passage slew around the middle axis. The opening angle of the ball valve determines the flow rate between the body (1), and ball passage.

The sealing of the ball (3) is with interchangeable seat rings (6 and 7).

The control shaft (4) is sealed with a maintenance free PTFE - V-packing (10), which is pre-loaded by a disc spring set (11) located above the packing.

The control shaft is externally equipped with a manual gearbox, or optionally with a pneumatic quarter turn actuator.

Fail-safe position

Because of the valve application in a pigging pipe-system, the safety position „Spring closes“ should be preferred at all times.

- Ball valve with actuator „**Spring closes**“

Upon air failure, the metering valve is closed. The valve opens when the signal pressure increases, acting against the force of the springs.

Changing the fail-safe position

The fail-safe position of the actuator can be reversed if required, for this purpose see the installation and operating instructions for the respective pneumatic actuator.

3.1 Variants

- With pigging signal strips in automatic systems, for mounting magnetic-inductive pigging sensors
- With pigging sensors for manual detection
- With contamination safeguard, to automatically detect leakage from the metering ball valve
- With a special blind flange, to form an end-station for two-Pig systems or one-pig systems.
- With Heating jacket
- With "stopper ball valve" as media inlet or media outlet

3.2 Additional fittings

Insulation

The ball valves can be insulated to reduce the passage of heat energy. Observe the notes in Chapter " 5 Assembly".

Test connection

The test connection (16) can be used to detect the upper flange (e.g. G1/4") between the seal ring and the packing.

Grip protection

In the case of conditions of use that require a high level of safety (e.g. if the ball valve is freely accessible to untrained specialist personnel), PFEIFFER offers a safety guard to prevent the risk of crushing due to moving parts (actuator- and control shaft).

The risk assessment of the plant by the operator will indicate if the installation of this protective device is required for the safe operation of the ball valve in the plant.

3.3 Attachments

The following accessories are available for the valve either individually or in combinations:

- Hand-lever (90°)
- Manual gear-box (90°)
- Shaft extension (100 mm Standard)
- Pneumatic or electric quarter-turn actuators
- Limit switch
- Positioner
- Solenoid valves
- Supply air pressure regulator/filter

Further attachments are available according to customer specifications.

3.4 Technical data

The type plates of the ball valve and actuator offer information about the valve version, see Chapter "2 Markings on the device".

i Info

- Detailed information is available in the data sheet ► TB 28a.
- The documentation for the special metering ball valves BR 28a that are not described in this chapter can be requested from PFEIFFER.

3.5 Metering ball valve assembly

3.5.1 Preparation of the assembly

To assemble the ball valve, all parts must be prepared, e. g. the parts are carefully cleaned and placed on a soft mat (rubber mat or other).

Keep in mind that plastic parts are almost always very soft and very delicate, and in particular the sealing surfaces may not be damaged.

! NOTE

Damage due to cold welding of the screws in the body!

– PFEIFFER recommends a heavy-duty grease paste (e.g. Gleitmo 805, manufacturer Fuchs) to prevent the cold-welding of the screws in the bodies.

- ⇒ Do not use this product for ball valves with use of oxygen.
- ⇒ A suitable lubricant must be selected for grease-free ball valves, especially for use with oxygen.

3.5.2 Assembly of the main body

i Info

The position and arrangement of the individual parts shown in the drawing (Fig. 3-1) must be observed during assembly.

- ⇒ Clamp the main body (1) with the flange in a vice or place it on an even and clean work surface, so that the inside of the ball valve is easily to reach.
- ⇒ Place the seat ring (6) in the main body.
- ⇒ With a slight rotating movement, push the bearing bush (8) onto the control shaft (4).
- ⇒ The control shaft (4) with the bearing bush (8) is guided from the inside of the main body (1) through the opening for the control shaft.

! NOTE

- ⇒ Make sure that the bearing bush (8) and the control shaft (4) are vertical, when positioned in the opening for the control shaft, and not slanted.
- ⇒ The sealing surface of the control shaft (4) must not be damaged.

- ⇒ Rotate the control shaft (4) so that the two flats are positioned vertical to the working surface.
- ⇒ Now carefully insert the ball (3).
- ⇒ Place the sealing (14) in the turned recess in the main body (1)

3.5.3 Assembly of the side body

- ⇒ Place the disc spring jacket (13) on the disc spring (12).

i Info

Pull on the disc spring jacket so that the long side of the jacket is positioned towards the body and the short side towards the seal ring. This ensures the sealing function.

- ⇒ Insert the lined disc spring (12) in the side body (2).
- ⇒ Press the seat ring (7) onto the disc spring.

3.5.4 Final assembly of the metering ball valve

- ⇒ The side body (2) together with the seat ring (7) is carefully pressed onto the main body (1).
- ⇒ Rotate the side body (2) until the bores of both body parts (1 and 2) are aligned with each other.

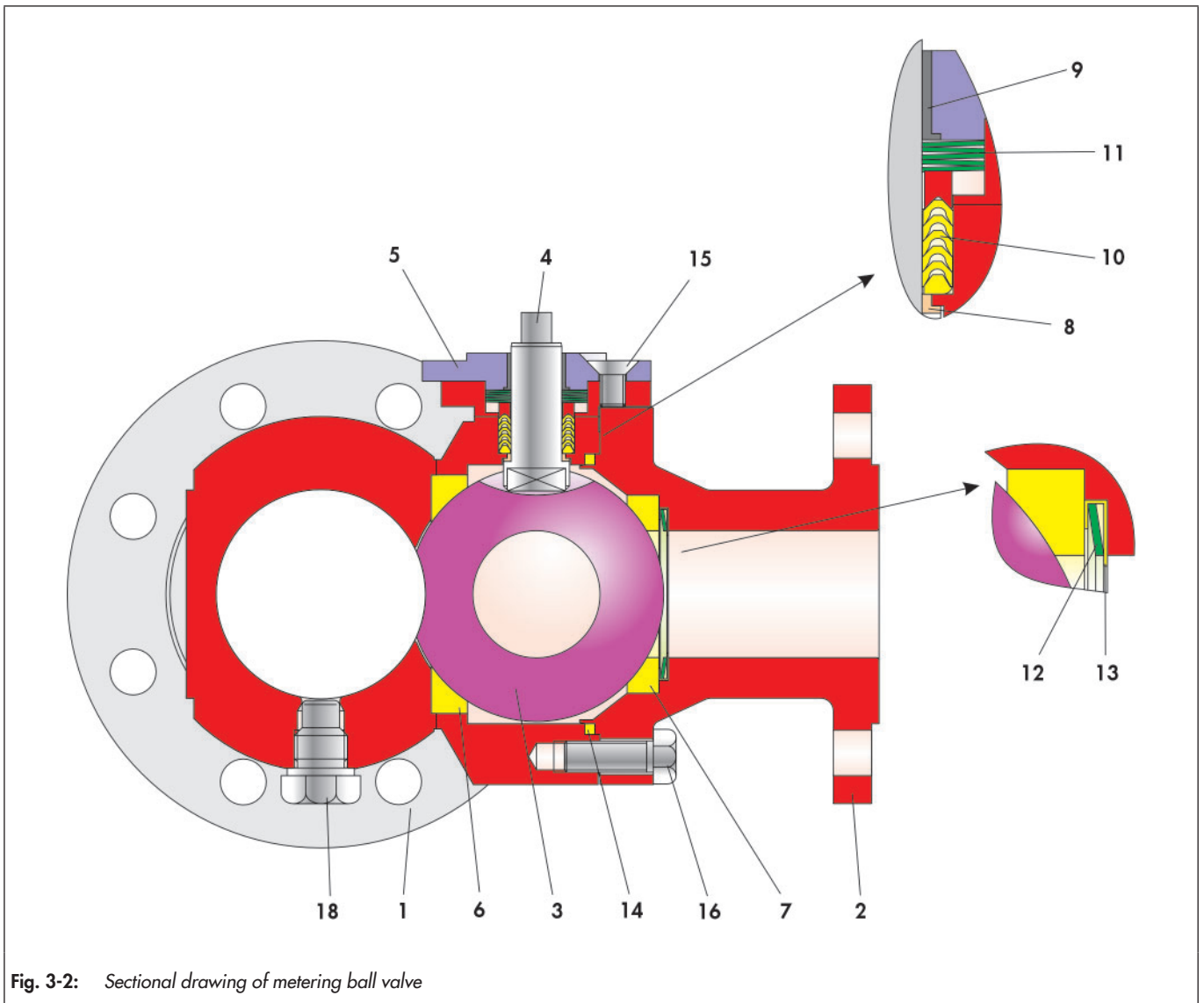


Fig. 3-2: Sectional drawing of metering ball valve

Table 3-2: List of parts

Item	Description
1	Main body
2	Side body
3	Ball
4	Control shaft
5	Stuffing box flange
6	Seat ring
7	Seat ring
8	Bearing bush
9	Bearing bush

Item	Description
10	V-ring packing
11	Disc spring set
12	Disc spring
13	Disc spring jacket
14	Sealing
15	Screw
16 ¹⁾	Screw / Stud bolt
17 ¹⁾	Nut
18	Screw plug

¹⁾ Depending on the nominal width, stud bolts can be fitted with nuts or screws.

Design and principle of operation

- ⇒ After applying grease to the screws (16) both parts (1 and 2) are screwed together, evenly and in alternating pattern.

i Info

- ⇒ Depending on the nominal size, stud bolts with nuts or screws can be used.
 - ⇒ The permissible torque for retightening the connection of the body sections can be found in Table 15-1 in Chapter "15.1.1 Tightening torques".
-

- ⇒ With a light rotating movement, press the V-ring packing (10) over the control shaft (4) and place in the packing chamber of the main body (1). For the positioning of the V-rings, refer to the explosion drawing (Fig. 3-1).
- ⇒ Now the disc spring set (11) is placed on the V-ring packing. Also here, refer to the explosion drawing (Fig. 3-1) for positioning the disc springs.
- ⇒ Press the bearing bushing (9) into the stuffing box flange (5).
- ⇒ Following this, place the stuffing box flange (5) over the control shaft, and mount onto the main body.
- ⇒ After applying grease to the socket head screws (15) align and tighten evenly in alternating pattern.

i Info

- ⇒ The permissible torque for retightening the stuffing box can be found in Table 15-2 in Chapter "15.1.1 Tightening torques".
 - ⇒ Prior to the leak test, the ball valve should be actuated a few times so that the ball can centre on the seal rings and provide an optimal seal.
-

4 Shipment and on-site transport

The work described in this chapter may only be performed by specialist personnel qualified to perform the corresponding task.

! NOTE

Damage to the ball valve due to improper transport and storage!

- ⇒ Ball valves must be handled, transported and stored with care.

4.1 Accepting delivery

Perform the following steps after receiving the goods:

- ⇒ Check the scope of supply. Compare the delivered goods with the delivery note.
- ⇒ Check the supply for transport damage. Report transport damage to PFEIFFER and the transport company (see the delivery note).

4.2 Unpacking the metering ball valve

Carry out the following steps:

- ⇒ Unpack the ball valve directly before lifting for installation into the pipe.
- ⇒ Leave the ball valve on the pallet or in the transport container for on-site transport.
- ⇒ The protective caps on the ball valve inlet and outlet prevent foreign matter from entering the ball valve and damaging it. Only remove the protective caps prior to installation in the pipe.
- ⇒ Dispose of the packaging properly.

4.3 Transporting and lifting the metering ball valve

! DANGER

Danger due to falling of suspended loads!

Do not stand under suspended loads.

! WARNING

Overtipping of the lifting equipment and damage to the load lifting equipment by exceeding the lifting capacity!

- ⇒ Only used approved lifting equipment and load lifting equipment whose lifting capacity corresponds at least to the weight of the ball valve including the actuator.
- ⇒ Take the weights from the respective data sheet.

! WARNING

Danger of injury due to the tipping of the metering ball valve!

- ⇒ Observe the centre of gravity of the ball valve.
- ⇒ Secure the ball valve against tipping and twisting.

! NOTE

Damage to the ball valve due to improper fastening of the sling!

The screwed-in lifting eyes on actuators are used only for actuator assembling and disassembling as well as for lifting the actuator without the ball valve. These lifting eyes are not intended for lifting the complete ball valve.

- ⇒ When lifting the ball valve, make sure that the entire load is carried by the sling that is fastened to the ball valve body.
- ⇒ Do not fasten the load-bearing sling to the actuator, hand wheel or other components.
- ⇒ Do not use the control air lines, accessories or other components with safety functions for suspension or damage them.

4.3.1 Transporting

The ball valve can be transported using lifting equipment such as a crane or a forklift.

- ⇒ Leave the ball valve on the pallet or in the transport container for transport.
- ⇒ Ball valves that weigh more than approx. 10 kg should be transported on a pallet (or supported similarly) (also to the installation site). The packaging should protect the valve from damage.
- ⇒ Comply with the transport conditions.

Transport conditions

- ⇒ Protect the ball valve against external influences, such as impacts.
- ⇒ Do not damage the corrosion protection (paint, surface coating). Repair damage immediately.
- ⇒ Protect the ball valve against moisture and dirt.

4.3.2 Lifting

When installing the ball valve in the pipe, larger ball valves can be lifted using lifting equipment such as a crane or forklift.

Conditions for lifting

- ⇒ Use a hook with a safety clamp as the suspension element so that the sling cannot slip off the hook during lifting and transport, see Fig. 4-1.
- ⇒ Secure the sling against shifting and slipping off.

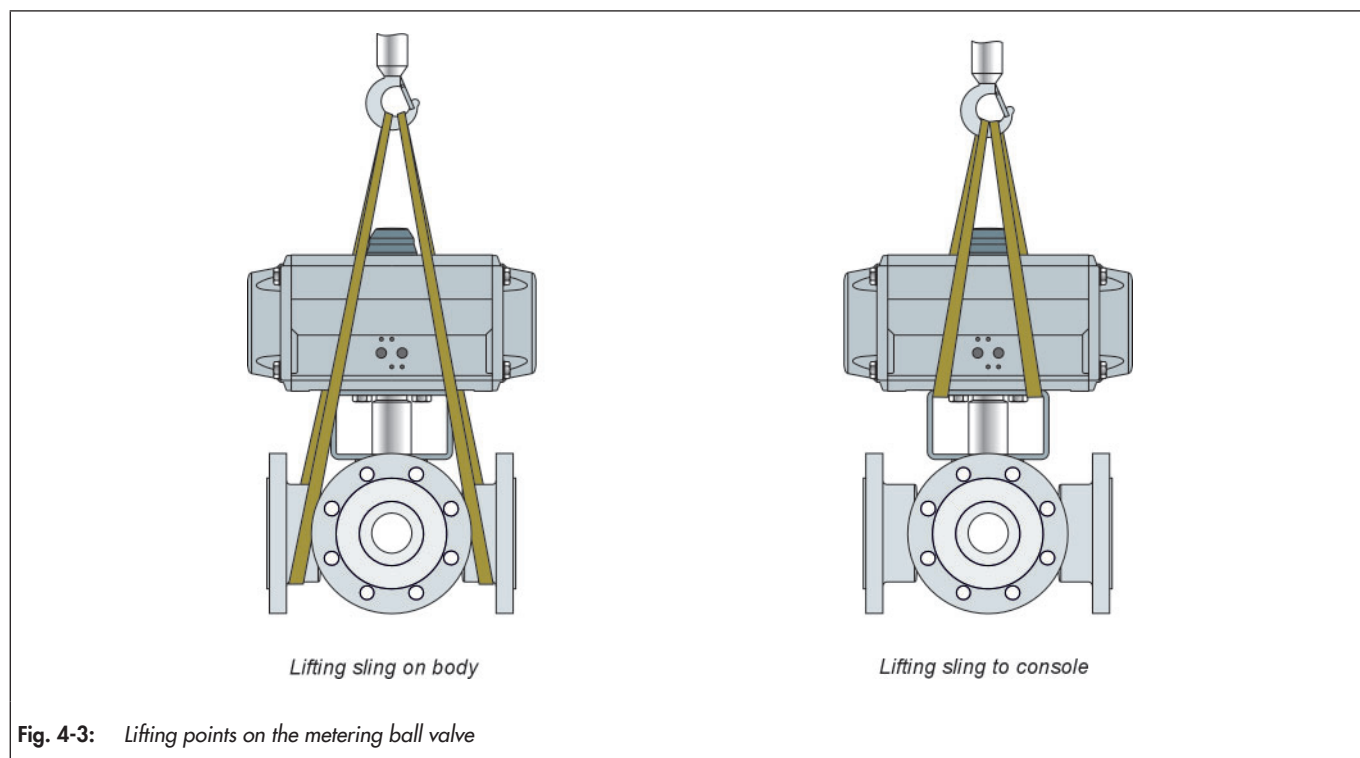


Fig. 4-3: Lifting points on the metering ball valve

- ⇒ Fasten the sling such that it can be removed again after installation in the pipe.
- ⇒ Avoid swinging and tipping the ball valve.
- ⇒ In the case of interruptions in work, do not leave the lifting equipment suspended in the air for a long period of time.
- ⇒ Lift the ball valve aligned in the same direction in which it will be installed in the pipe.
- ⇒ Always lift the ball valve in the centre of gravity of the load to prevent uncontrolled tipping.
- ⇒ Make sure that any slings between the lifting eyes on the rotary actuator and suspension element are not loaded. These slings are used only to secure the load against turning over while lifting. Before lifting the ball valve, pretension this sling so it is taut.

⚠ WARNING

Danger due to incorrect lifting and transport!

The lifting points for the lifting slings shown in the schematic drawing serve as examples for most valve variants. On site the conditions for lifting and transporting the valve can change however.

- ⇒ The operator makes sure that the valve is lifted and transported safely.

4.3.3 Lifting points on the body

- ⇒ Fasten a lifting sling to each flange of the housing and on the suspension element (e.g. hook) of the crane or forklift, see Fig. 4-1. When doing so, ensure the safety, bearing capacity and length of the lifting slings
- ⇒ In the case of an actuator with a lifting eye: fasten additional lifting slings to the lifting eye on the actuator and on the suspension element.
- ⇒ Lift the ball valve carefully. Check if the load lifting equipment holds.
- ⇒ Move the ball valve at a constant speed to the installation site.
- ⇒ Install the ball valve in the pipe, see chapter 5.4.
- ⇒ After installation in the pipe: check that the flanges are firmly tightened and that the ball valve holds in the pipe.
- ⇒ Remove the lifting slings.

4.3.4 Lifting points on the bracket

- ⇒ Fasten a lifting sling to the bracket and the suspension element (e.g. hook) of the crane or forklift, see Fig. 4-1. When doing so, ensure the safety, bearing capacity and length of the lifting slings.
- ⇒ In the case of an actuator with a lifting eye: fasten additional lifting slings to the lifting eye on the actuator and on the suspension element.
- ⇒ Lift the ball valve carefully. Check if the load lifting equipment holds.

- ⇒ Move the ball valve at a constant speed to the installation site.
- ⇒ Install the ball valve in the pipe, see chapter 5.4
- ⇒ After installation in the pipe: check that the flanges are firmly tightened and that the ball valve holds in the pipe.
- ⇒ Remove the lifting slings.

4.4 Storing the metering ball valve

NOTE

Damage to the ball valve due to improper storage!

- ⇒ Comply with the storage conditions
 - ⇒ Avoid long storage periods
 - ⇒ In the case of deviating storage conditions and a longer storage period, contact PFEIFFER
-

Info

PFEIFFER recommends checking the ball valve and the storage conditions regularly during a longer storage period.

- ⇒ In the case of storage prior to installation, the ball valve should normally be stored in a closed room where it is protected against harmful influences such as impacts, dirt or moisture. A room temperature of $25\text{ °C} \pm 15\text{ °C}$ is recommended.
- ⇒ In particular, the actuator and the ends of the ball valve to the pipe connection may not be damaged by mechanical or any other influences.
- ⇒ Do not stack the ball valves.
- ⇒ Prevent condensation in damp rooms. Use a desiccant or heater.
- ⇒ The ball valve must be stored in its protective packaging and/or with the protective caps on the connection ends.
- ⇒ Ball valves that weigh more than approx. 10 kg should be stored on a pallet (or supported similarly).
- ⇒ Ball valves are usually delivered in a completely closed position. They must be stored in the position in which they were delivered. The actuating device must not be actuated.
- ⇒ Do not place any objects on the ball valve.

5 Installation

The work described in this chapter may only be performed by specialist personnel qualified to perform the corresponding task. The following instructions apply additionally for ball valves. Observe chapter "4.3 Transporting and lifting the metering ball valve" for transport to the installation site.

5.1 Installation conditions

Operator level

The operator level for the metering ball valve is the front view on all operating elements of the ball valve including the attachments from the perspective of operating personnel.

The plant operator must make sure that operating personnel can carry out all work after the device is installed safely and can access it easily from the operator level.

Pipe routing

The guidelines applicable on site apply for the installation of metering ball valves in the pipe.

Install the ball valve such that there is low vibration and no mechanical stress. Observe the sections "Installation orientation" and "Support and mounting" in this chapter.

Install the ball valve so there is enough space to replace the actuator and ball valve as well as to perform maintenance work.

Installation position

The ball valve can be installed in any installation position. PFEIFFER recommends however to install the ball valve in general so that the actuator points up in a vertical position.

In the following versions, the ball valve with actuator must be installed facing upwards or a corresponding support must be provided:

- Nominal sizes from DN 100 / NPS4
- Ball valves with a stem extension or insulating part.
- ⇒ In the case of deviations from this installation position, contact PFEIFFER.

Support and mounting

The plant manufacturer is responsible for the selection and implementation of a suitable support or mounting for the installed ball valve as well as the pipe.

Venting

Vents are screwed into the exhaust air connections of pneumatic and electropneumatic devices to ensure that the generated exhaust air can be released to the outside (protection against overpressure in the device). Furthermore, vents allow the intake of air (protection against underpressure in the device).

- ⇒ Carry out venting on the side that faces away from the operator level.

- ⇒ When connecting the attachments, make sure that they can be accessed from the operator level safely and easily.

5.2 Preparing for assembly

Ball valves must be handled, transported and stored with care, see Chapter "4 Delivery and on-site transport".

Perform the following steps after receiving the goods:

- ⇒ Check the scope of supply. Compare the delivered goods with the delivery note.
- ⇒ Check the supply for transport damage. Report transport damage to PFEIFFER and the transport company (see the delivery note).

Ensure the following conditions prior to assembly:

- The ball valve is clean.
- The ball valve data on the type plate (type, nominal size, material, nominal pressure and temperature range) matches the plant conditions (nominal size and nominal pressure of the pipe, medium temperature, etc.). For details about the marking, see Chapter "2 Markings on the device".
- Desired or required additional fittings, see Chapter "3.2 Additional fittings", are installed or prepared as far as necessary before the assembly of the ball valve.

5.3 Assembling the metering ball valve and actuator

PFEIFFER ball valves are supplied in working order. In individual cases, the actuator and ball valve are delivered separately and must be assembled. The tasks are listed below that are necessary for assembly and prior to the commissioning of the ball valve.

WARNING

Danger and damage due to retrofitting an actuator unit!

The subsequent fitting of an actuator unit can pose a danger to the user and cause damage to the pipe system.

- ⇒ *The torque, rotation direction, actuation angle and adjustment of the "OPEN" and "CLOSED" end stops must be adapted to the ball valve.*

Danger and damage due to incorrect setting of the actuator!

If a actuator unit is subsequently installed, ensure that the position of the recess of the ball is 100% in line with the passage of the ball valve and the pipeline.

- ⇒ *To adjust the ball, remove the ball valve from the pipeline so that the position of the ball can be seen.*
- ⇒ *To adjust the ball, use drives with adjusting screws.*

! WARNING**Danger and damage due to use of an electrical actuator!**

- ⇒ It must be ensured that the actuator in the end positions is turned off by the limit switch signal.
- ⇒ If shut-off takes place in an intermediate position due to the signal of the torque switch, this signal should be used in addition for an error message. The fault must be remedied as soon as possible see Chapter "8 Faults".
- ⇒ For further instructions, see the electrical actuator manual.

Danger and damage due to high external loads on an actuator unit!

Actuators are not "stepladders".

- ⇒ Loads may not be applied to the actuators as they can damage or destroy the ball valve.

Danger and damage due to heavy actuator units!

Actuators that are heavier than the weight of the ball valve can pose a danger to the user and cause damage to the pipe system.

- ⇒ These actuators must be supported if they generate a bending stress on the ball valve due to their size and/or installation situation.

! NOTE**Damage to the metering ball valve due to the incorrect setting of the end stops!**

The actuating device is adjusted to the operating data specified in the order.

- ⇒ The adjustment of the "OPEN" and "CLOSED" end stops is the responsibility of the user.

5.4 Installing the metering ball valve in the pipe

5.4.1 General

- ⇒ Transport the ball valve in its original packaging to the installation site and unpack it only there.
- ⇒ Inspect the ball valve and actuator for transport damage. Damaged ball valves or actuators may not be installed.
- ⇒ A functional test is to be carried out at the beginning of installation for manually-operated ball valves: the ball valve must close and open correctly. Detected malfunctions must be fixed before commissioning. See also chapter 8 "Faults".
- ⇒ Handle the ball valve with care and observe the instructions for the flange connection.
- ⇒ Make sure that only metering ball valves are installed whose pressure classes, connection type (flow rate), type of lining and connection dimensions match the conditions of use. See the corresponding marking on the ball valve.
- ⇒ The counterflanges must have smooth sealing surfaces. Other shapes must be agreed upon with PFEIFFER.

! DANGER**Danger due to exceeding the limits of use!**

Exceeding the limits of use can pose a danger to the user and cause damage to the pipe system.

- ⇒ No ball valve may be installed whose permissible pressure/temperature range is not sufficient for the operating conditions.
- ⇒ The max. permissible limits of use are marked on the ball valve, see Chapter "2 Markings on the device".
- ⇒ The permissible range is defined in Chapter "1 Safety instructions and safety measures".

- ⇒ The connection ends of the pipe must align with the ball valve connections and have plane-parallel ends.
- ⇒ The connection data for the actuator unit must match the control data. See the type plate(s) on the actuator unit.
- ⇒ Prior to installation, the ball valve and the connected pipe must be carefully cleaned of any contamination, in particular solid foreign matter.
- ⇒ The sealing surfaces on the flange connection and the utilized flange seals must in particular be free of all contamination during installation.
- ⇒ Optionally, an arrow is marked on the body. The direction of the arrow must correspond to the direction of flow in the pipe.
- ⇒ When pushing the ball valve and the required flange seals into an already assembled pipe, the distance between the pipe ends must be measured such that all contact surfaces of the ball valve and seals remain undamaged.

! NOTE**Damage to the sealing surfaces and seals or untight flange connection due to improper assembly!**

- ⇒ Tighten the flange connections evenly and in a criss-cross pattern with the torques indicated in Table 15-5 in Chapter "15.1.1 Tightening torques".
- ⇒ After longer storage of the ball valve, retighten the body screws after installation with the corresponding tightening torques according to Table 15-1, Table 15-2 and Table 15-4 in Chapter "15.1.1 Tightening torques".
- ⇒ Vents are screwed into the exhaust air connections of pneumatic and electropneumatic devices to ensure that the generated exhaust air can be released to the outside (protection against overpressure in the device).
Furthermore, vents allow the intake of air (protection against underpressure in the device).
- ⇒ Carry out venting on the side that faces away from the working area of operating personnel.
- ⇒ When installing peripheral devices, make sure that they can be operated from the working area of operating personnel.

5.4.2 Installing the metering ball valve

- ⇒ Close the ball valve in the pipe for the duration of the installation.
- ⇒ Remove the protective caps on the ball valve openings prior to installation.
- ⇒ Lift the ball valve with suitable lifting equipment at the installation site, see chapter "4.3 Transporting and lifting the metering ball valve". When doing so observe the flow direction of the ball valve. An arrow on the ball valve indicates the optional flow direction.
- ⇒ Use correct flange seals.
- ⇒ Clean the sealing surfaces on the ball valve and pipe if necessary.
- ⇒ Screw the pipe together with the ball valve without tension.

NOTE

Damage to the ball valve due to a sudden pressure increase and resulting high flow speed!

Open the ball valve slowly in the pipe during commissioning.

- ⇒ The associated instructions apply for connecting the actuator unit to the control equipment.
- ⇒ Check the correct function of the ball valve.

5.5 Checking the assembled metering ball valve

5.5.1 Functional test

WARNING

Danger of injury due to pressurised components and escaping medium!

- ⇒ *Do not loosen the screw of an optional test connection while the ball valve is pressurised.*

Danger of crushing due to moving actuator- and control shaft!

- ⇒ *Do not reach into the yoke as long as the pneumatic power is connected to the actuator.*
- ⇒ *Before working on the ball valve, interrupt and lock pneumatic energy and the control signal.*
- ⇒ *Vent the actuator.*
- ⇒ *Do not allow the jamming of objects in the yoke to hinder the operation of the actuator- and control shaft.*
- ⇒ *If the actuator- and control shaft are blocked (e.g. due to "seizure" if not actuated for a long period of time"), release the residual energy of the actuator (spring tension) before releasing the blockage, see the corresponding actuator documentation.*

WARNING

Danger of injury due to escaping exhaust air!

During operation, when regulating or when opening and closing the ball valve, exhaust air can escape, for example from the actuator.

- ⇒ *Wear eye protection and, if necessary, hearing protection when working near valves.*

- ⇒ At the end of installation, perform a functional test with the control signals:

The ball valve must open and close correctly according to the control commands. Detected malfunctions must be fixed before commissioning, see Chapter "8 Faults".

WARNING

Danger due to improperly executed control commands!

Incorrectly executed control commands can cause serious injuries or even death and damage to the pipe system.

- ⇒ *Check the actuator unit and control command., see chapter "8 Faults".*

5.5.2 Pressure test of the pipe section

The pressure test was already performed on the ball valves by PFEIFFER. Observe the following for the pressure test of a pipe section with installed ball valves:

- ⇒ First carefully rinse newly installed pipe systems in order to wash out all foreign matter.
- ⇒ Ensure the following conditions for the pressure test:
 - Ball valve open: the test pressure may not exceed the value 1.5 x PN (according to the type plate).
 - Ball valve closed: the test pressure may not exceed the value 1.1 x PN (according to the type plate).

If a ball valve leaks, observe chapter "8 Faults".

Info

The plant operator is responsible for performing the pressure test. After Sales Service at PFEIFFER can provide you with support for the planning and implementation of a pressure test specific to your plant.

5.5.3 Rotary movement

The rotary movement of the actuator- and control shaft must be linear without any jerky movements.

- ⇒ Open and close the metering ball valve. When doing so, observe the movement of the actuator shaft.

Installation

- ⇒ Set the maximum and minimum control signal in succession to check the end positions of the ball valve.
- ⇒ Check the display on the position indicator.

5.5.4 Fail-safe position

- ⇒ Close the signal pressure line.
- ⇒ Check whether the ball valve moves to the fail-safe position, see "Fail-safe positions in Chapter "3 Design and principle of operation".

6 Start-up

The work described in this chapter may only be performed by specialist personnel qualified to perform the corresponding task.

WARNING

Danger of burning due to hot or cold components and pipe!

Ball valve components and pipes can become very hot or very cold during operation and cause burns upon contact.

- ⇒ Let the components and pipes cool down or warm up.
- ⇒ Wear protective garments and protective gloves.

Danger of injury due to pressurised components and escaping medium!

- ⇒ Do not loosen the screw of the optional test connection while the ball valve is pressurised.

Danger of crushing due to moving actuator- and control shaft!

- ⇒ Do not reach into the yoke as long as the pneumatic power is connected to the actuator.
- ⇒ Before working on the ball valve, interrupt and lock pneumatic energy and the control signal.
- ⇒ Vent the actuator.
- ⇒ Do not allow the jamming of objects in the yoke to hinder the operation of the actuator- and control shaft.
- ⇒ If the actuator- and control shaft are blocked (e.g. due to "seizure" if not actuated for a long period of time"), release the residual energy of the actuator (spring tension) before releasing the blockage, see the corresponding actuator documentation.

Danger of injury due to escaping exhaust air!

During operation, when regulating or when opening and closing the ball valve, exhaust air can escape, for example from the actuator.

- ⇒ Wear eye protection and, if necessary, hearing protection when working near valves.

Commissioning/recommissioning

- Open the ball valves slowly in the pipe. Opening slowly prevents a sudden increase in pressure and a resulting high flow speed that damages the ball valve.
- Check the correct function of the ball valve.

Ensure the following conditions prior to commissioning/recommissioning:

- The metering ball valve is installed properly in the pipe, see Chapter "5 Assembly".
- The leak and function tests have been completed successfully, see Chapter "5.1 Installation conditions".
- The current conditions in the concerned plant section correspond to the design of the ball valve, see Intended use in Chapter "1 Safety instructions and safety measures".

7 Operation

As soon as the commissioning/recommissioning work is complete, see Chapter "6 Commissioning", the shut-off ball valve is ready for operation.

WARNING

Danger of burning due to hot or cold components and pipe!

Ball valve components and pipes can become very hot or very cold during operation and cause burns upon contact.

- ⇒ Let the components and pipes cool down or warm up.
- ⇒ Wear protective garments and protective gloves.

Danger of injury due to pressurised components and escaping medium!

- ⇒ Do not loosen the screw of the optional test connection while the ball valve is pressurised.

Danger of crushing due to moving actuator- and control shafts!

- ⇒ Do not reach into the yoke as long as the pneumatic power is connected to the actuator.
- ⇒ Before working on the ball valve, interrupt and lock pneumatic energy and the control signal.
- ⇒ Vent the actuator.
- ⇒ Do not allow the jamming of objects in the yoke to hinder the operation of the actuator- and control shaft.
- ⇒ If the actuator- and control shaft are blocked (e.g. due to "seizure" if not actuated for a long period of time"), release the residual energy of the actuator (spring tension) before releasing the blockage, see the corresponding actuator documentation.

Danger of injury due to escaping exhaust air!

During operation, when regulating or when opening and closing the ball valve, exhaust air can escape, for example from the actuator.

- ⇒ Wear eye protection and, if necessary, hearing protection when working near valves.

Observe the following points during operation:

- If required, after commissioning and reaching the operating temperature, tighten all flange connections between the pipe and ball valve with the corresponding tightening torques, see Table 15-3 in Chapter "15.1.1 Tightening torque".
- It can also be necessary to retighten the screw connections on the body sections with the corresponding tightening torques according to Table 15-1 and Table 15-2 in Chapter "15.1.1 Tightening torques".
- The ball valve/actuator unit must be actuated with the control signals.
- Ball valves that were delivered from the factory with an actuator are precisely adjusted. The user is responsible for any changes they make.
- For the manual operation or manual override of the actuator (if present), normal manual forces are sufficient and the use

of extensions to increase the actuation torque is not permitted.

- In the case of shut-off ball valves with a hand lever, the position of the hand lever indicates the location of the bore in the ball. The hand lever moves in general parallel to the bore. Special versions are to be taken from the respective order.

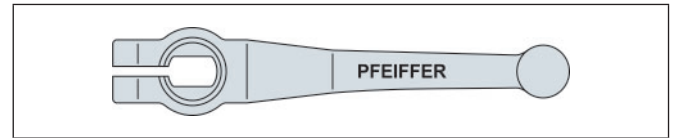


Figure 7-1: Hand lever

DANGER

Danger of injury due to jerky operation of the ball valve!

The failure to observe these warnings can cause extreme danger for persons or for the pipe system.

- ⇒ Do not open and close the ball valve suddenly to prevent pressure surges and/or a temperature shock in the pipe system.

- If a ball valve leaks, observe chapter "8 Faults".

8 Malfunction

When rectifying the faults, chapter "1 Safety instructions and safety measures" must be observed.

8.1 Detecting and rectifying errors

Type of fault	Possible cause	Measures
Leaks in the pipe connection	The flange connection of the metering ball valve is leaky	<p>Tighten the flange screws.</p> <hr/> <p>! NOTE</p> <p>An excessive tightening torque when retightening the flange screws can damage the ball valve and pipe!</p> <p><i>The permissible torque for retightening the pipe flange screws is limited.</i></p> <hr/> <p>Retighten the flange connection with the respective tightening torque, see Table 15-3 in Chapter "15.1.1 Tightening torques".</p> <p>If necessary, increase the tightening torque to max. 20%.</p>
	The flange connection is still leaky after retightening	<p>Loosen the flange connection and remove the ball valve, see chapter "1 Safety instructions and safety measures".</p> <p>Check the plane parallelism of the flange connection and correct if it is not sufficient.</p> <p>Check the flange seals, if the seals are damaged, replace them.</p>
Leaks in the body sections	Body section connection loosened	Retighten the connection of the body sections with the respective tightening torque, see Table 15-1 and Table 2 in Chapter "15.1.1 Tightening torques".
	Body sections untight after retightening	Replace the body sealing and/or ball valve, see chapter "1 Safety instructions and safety measures".
Increased medium flow rate with the ball valve closed	Leakage in the closed position	Remove and inspect the ball valve, see chapter "1 Safety instructions and safety measures".
	The metering ball valve is damaged	<p>Repairs are necessary</p> <p>Remove the ball valve, see chapter "1 Safety instructions and safety measures".</p> <p>Request spare parts from PFEIFFER, see Chapter "15.2 Spare parts".</p> <p>For the required repair instructions, see Chapter "12 Repairs"</p>
Leaks in the control shaft sealing	Medium escapes from the stuffing box	<p>Remove the ball valve, see chapter "1 Safety instructions and safety measures".</p> <p>Disassemble the ball valve and replace the control shaft sealing.</p> <p>Request spare parts from PFEIFFER, see Chapter "15.2 Spare parts".</p> <p>For the required repair instructions, see Chapter "12 Repairs"</p>
Malfunction	The actuator unit or control does not react	Check the actuator unit and control command.
	The actuator and control are OK	Remove and inspect the ball valve, see chapter "1 Safety instructions and safety measures".
	The metering ball valve is damaged	<p>Repairs are necessary.</p> <p>Remove the ball valve, see chapter "1 Safety instructions and safety measures".</p> <p>Request spare parts from PFEIFFER, see Chapter "15.2 Spare parts".</p> <p>For the required repair instructions, see Chapter "12 Repairs"</p>

Malfunction

Type of fault	Possible cause	Measures
Problems in the actuator unit	The pneumatic actuator must be removed	Disconnect the connection to the control pressure. Remove the actuator from the ball valve (observe the "Safety instructions and safety measures", see the included actuator unit manuals).

i Info

- In the case of faults that are not listed in the table, contact the After Sales Service at PFEIFFER.
- Spare parts must be ordered indicating all the data according to the ball valve marking. Only original parts from PFEIFFER Chemie-Armaturenbau GmbH may be installed.
- If it is determined after removal that the ball valve material lining is not sufficiently resistant for the medium, parts must be selected made of a suitable material.

8.2 Carrying out emergency measures

In the case of a power supply failure, the metering ball valve automatically switches to the preset fail-safe position, see "Fail-safe positions" in Chapter "3 Design and principle of operation".

The system operator is responsible for emergency measures.

In case of a metering ball valve fault:

- Close the shut-off valves upstream and downstream of the ball valve so that no medium flows through the ball valve.
- Troubleshoot the error, see chapter "8.1 Detecting and rectifying errors".
- Rectify the fault that can be fixed as indicated in the instructions provided in this installation and operating manual. For faults that cannot be fixed, contact the After Sales Service at PFEIFFER.

Recommissioning after faults

See Chapter "6 Commissioning".

9 Servicing

The work described in this chapter may only be performed by specialist personnel qualified to perform the corresponding task. The following documents are required in addition for the maintenance of the ball valve:

- Installation and operating manual for the installed actuator, e.g. ► EB 31a for BR 31a rotary actuators or the corresponding actuator documentation of other manufacturers.

WARNING

Danger of burning due to hot or cold components and pipe!

Ball valve components and pipes can become very hot or very cold during operation and cause burns upon contact.

- ⇒ Let the components and pipes cool down or warm up.
- ⇒ Wear protective garments and protective gloves.

Danger of injury due to pressurised components and escaping medium!

- ⇒ Do not loosen the screw of the optional test connection while the ball valve is pressurised.

Danger of crushing due to moving actuator- and control shaft!

- ⇒ Do not reach into the yoke as long as the pneumatic power is connected to the actuator.
- ⇒ Before working on the ball valve, interrupt and lock pneumatic energy and the control signal.
- ⇒ Vent the actuator.
- ⇒ Do not allow the jamming of objects in the yoke to hinder the operation of the actuator- and control shaft.
- ⇒ If the actuator- and control shaft are blocked (e.g. due to "seizure" if not actuated for a long period of time"), release the residual energy of the actuator (spring tension) before releasing the blockage, see the corresponding actuator documentation.

Danger of injury due to escaping exhaust air!

During operation, when regulating or when opening and closing the ball valve, exhaust air can escape, for example from the actuator.

- ⇒ Wear eye protection and, if necessary, hearing protection when working near valves.

Danger of injury due to preloaded springs!

Actuators with preloaded actuator springs are pressurised.

- ⇒ Release the compression from the preloaded springs before working on the actuator, see the corresponding actuator documentation.

Danger of injury due to residual medium in the ball valve!

When working on the ball valve, residual medium can escape and, depending on the medium properties, cause injuries (e.g. scalding, chemical burns).

- ⇒ Wear protective garments, protective gloves and eye protection.
- ⇒ Do not loosen the screw of the optional test connection while the ball valve is pressurised.
- ⇒ Bring the ball valve into the open position so the pressure is released from the ball.

NOTE

Damage to the ball valve due to excessively high or low tightening torques!

The ball valve components must be tightened with specific torques. Excessively tightened components are subject to increased wear. Insufficiently tightened components can cause leakage.

- ⇒ Observe the tightening torques, see Table 15-1 and Table 15-2 in Chapter "15.1.1 Tightening torques".

Damage to the ball valve due to unsuitable tools!

- ⇒ Only use tools approved by PFEIFFER, see Chapter "15.1.3 Tools".

Damage to the ball valve due to unsuitable lubricants!

- ⇒ Only use lubricants approved by PFEIFFER, see Chapter "15.1.2 Lubricants".

Info

The metering ball valve was checked by PFEIFFER prior to delivery.

- Certain test results certified by PFEIFFER are no longer valid when disassembling the ball valve. This includes the test for seat leakage and the leak test (outer tightness).
- If maintenance and repair work is performed without approval from the After Sales Service of PFEIFFER, the product guarantee will be voided.
- Only use original parts from PFEIFFER as spare parts that correspond to the original specification.
- Wear parts are not covered by the warranty.

9.1 Periodic tests

- ⇒ Depending on the conditions of use, the ball valve must be checked at defined intervals in order to take remedial measures prior to possible malfunctions. The plant operator is responsible for preparing a suitable test plan
- ⇒ PFEIFFER recommends the following inspections that can be carried out during operation:

Test	Measures in the case of a negative test result
If present, check the optional test connection for tightness. WARNING! Danger of injury due to pressurised components and escaping medium! Do not loosen the screw of the test connection while the ball valve is pressurised.	Decommission the ball valve, see chapter "10 Decommissioning" Contact the After Sales Service at PFEIFFER for repairs, See chapter "12 Repairs".
Check the control shaft sealing for tightness from the outside.	The control shaft sealing with a PTFE V-ring packing is preloaded with a disc spring set and is therefore maintenance free.

Test	Measures in the case of a negative test result
Check the rotary movement of the actuator- and control shaft for smooth movement.	If the actuator- and control shaft are blocked, remove the blockage. WARNING! If the actuator- and control shaft are blocked (e.g. due to "seizure" if not actuated for a long period of time) they can release unexpectedly and move uncontrolled. This can lead to crushing if reaching into them. Before trying to release a blockage of the actuator- and control shaft, interrupt and lock the pneumatic energy and the control signal. Release the residual energy of the actuator (spring tension or compressed air reservoir) before releasing the blockage, see the corresponding actuator documentation.
If possible, check the fail-safe position of the metering ball valve by briefly interrupting the power supply.	Decommission the ball valve, see chapter "Decommissioning". Then determine the cause and remedy it, see Chapter "8 Malfunctions".
Check pipe connections and seals of the metering ball valve and actuator for leaks.	Regular maintenance work on the ball valve is not necessary, but when checking the pipe section, no medium may escape from the flange and screw connections of the body or from the control shaft sealing.

9.2 Maintenance work

- ⇒ The ball valve must be prepared before all maintenance work, see Chapter "12 Repairs".
- ⇒ After all maintenance work, the ball valve must be checked prior to recommissioning, see Chapter "5.5 Checking the mounted metering ball valve".

9.2.1 Replacing the seal rings and ball

- ⇒ Check the condition of the ball and seat rings.
- ⇒ Remove the seat rings (6 and 7) as described in Chapter 12.2. Check the seal rings as well as all plastic parts for damage and if in doubt replace them.
- ⇒ Also remove the ball (3). Check the ball as well as all plastic parts for damage and if in doubt replace them.

9.3 Ordering spare parts and consumables

Information about spare parts, lubricants and tools can be received from the After Sales Service at PFEIFFER.

Spare parts

Information on spare parts can be found in Chapter "15.2 Spare parts".

10 Decommissioning

The work described in this chapter may only be performed by specialist personnel qualified to perform the corresponding task.

WARNING

Danger of burning due to hot or cold components and pipe!

Ball valve components and pipes can become very hot or very cold during operation and cause burns upon contact.

- ⇒ Let the components and pipes cool down or warm up.
- ⇒ Wear protective garments and protective gloves.

Danger of injury due to pressurised components and escaping medium!

- ⇒ Do not loosen the screw of the optional test connection while the ball valve is pressurised.

Danger of crushing due to moving actuator- and control shaft!

- ⇒ Do not reach into the yoke as long as the pneumatic power is connected to the actuator.
- ⇒ Before working on the ball valve, interrupt and lock pneumatic energy and the control signal.
- ⇒ Vent the actuator.
- ⇒ Do not allow the jamming of objects in the yoke to hinder the operation of the actuator- and control shaft.
- ⇒ If the actuator- and control shaft are blocked (e.g. due to "seizure" if not actuated for a long period of time"), release the residual energy of the actuator (spring tension) before releasing the blockage, see the corresponding actuator documentation.

Danger of injury due to escaping exhaust air!

During operation, when regulating or when opening and closing the ball valve, exhaust air can escape, for example from the actuator.

- ⇒ Wear eye protection and, if necessary, hearing protection when working near valves.

Danger of injury due to residual medium in the ball valve!

When working on the ball valve, residual medium can escape and, depending on the medium properties, cause injuries (e.g. scalding, chemical burns).

- ⇒ Wear protective garments, protective gloves and eye protection.
- ⇒ Do not loosen the screw of the optional test connection while the ball valve is pressurised.
- ⇒ Bring the ball valve into the open position so the pressure is released from the ball.

To decommission the metering ball valve for maintenance and repair work or for disassembly, perform the following steps:

- ⇒ Close the valves upstream and downstream of the ball valve so that no medium flows through the ball valve.
- ⇒ Empty the pipe and ball valve completely.
- ⇒ Shut off the pneumatic power and lock it, to depressurise the actuator.
- ⇒ Let the pipe and ball valve components cool down or warm up.

11 Removal

The work described in this chapter may only be performed by specialist personnel qualified to perform the corresponding task.

WARNING

Danger of burning due to hot or cold components and pipe!

Ball valve components and pipes can become very hot or very cold during operation and cause burns upon contact.

- ⇒ Let the components and pipes cool down or warm up.
- ⇒ Wear protective garments and protective gloves.

Danger of crushing due to moving actuator- and control shaft!

- ⇒ Do not reach into the yoke as long as the pneumatic power is connected to the actuator.
- ⇒ Before working on the ball valve, interrupt and lock pneumatic energy and the control signal.
- ⇒ Vent the actuator.
- ⇒ Do not allow the jamming of objects in the yoke to hinder the operation of the actuator- and control shaft.
- ⇒ If the actuator- and control shaft are blocked (e.g. due to "seizure" if not actuated for a long period of time"), release the residual energy of the actuator (spring tension) before releasing the blockage, see the corresponding actuator documentation.

Danger of injury due to residual medium in the ball valve!

When working on the ball valve, residual medium can escape and, depending on the medium properties, cause injuries (e.g. scalding, chemical burns).

- ⇒ Wear protective garments, protective gloves and eye protection.
- ⇒ Do not loosen the screw of the optional test connection while the ball valve is pressurised.
- ⇒ Bring the ball valve into the open position so the pressure is released from the ball.

Danger of injury due to preloaded springs!

Actuators with preloaded actuator springs are pressurised.

- ⇒ Before working on the actuator, release the compression from the preloaded springs.

Prior to disassembly, make sure that the following conditions are met:

- The ball valve is decommissioned, see chapter "10 Decommissioning".

11.1 Removing the metering ball valve from the pipe

- ⇒ Loosen the flange connection.
- ⇒ Remove the ball valve from the pipe, see Chapter "4.3 Transporting and lifting the metering ball valve".

WARNING

If a used valve is sent to PFEIFFER for service:

- ⇒ Decontaminate the valves properly in advance.

- ⇒ When returning a used valve, include the safety data sheet for the medium as well as confirmation of decontamination of the valve. Otherwise the valve will not be accepted.

Tip

- PFEIFFER recommends documenting the following contamination data in the form ► FM 8.7-6 "Declaration regarding the contamination of PFEIFFER valves and components".
- This form is available at ► www.pfeiffer-armaturen.com.

11.2 Disassembling the actuator

See the corresponding actuator documentation.

12 Repairs

If the operation of the metering ball valve is no longer compliant or if it does not work at all, it is defective and must be repaired or replaced.

NOTE

Damage to the metering ball valve due to improper maintenance and repair!

- ⇒ Do not perform maintenance and repair work on your own.
- ⇒ Contact the After Sales Service at PFEIFFER for maintenance and repair work.

In special cases, certain maintenance and repair work may be performed.

The work described in this chapter may only be performed by specialist personnel qualified to perform the corresponding task.

The following instructions apply additionally for ball valves. For decommissioning and disassembly, observe Chapter "10 Decommissioning" and Chapter "11 Disassembly".

12.1 Replacing the V-ring packing

If a leak is found in the stuffing box flange (5), the rings of the V-ring packing (10) could be defective.

- ⇒ Check the condition of the V-ring packing.

Disassemble the ball valve to remove the packing. For this purpose, observe Chapter "1 Safety instructions and safety measures".

- ⇒ Place the ball valve on an even and clean work surface so that the packing space is easy to reach.
- ⇒ Loosen the screws (15) and carefully remove stuffing box flange (5).
- ⇒ Remove the disc springs from the disc spring set (11).
- ⇒ Remove the V-ring packing (10).
- ⇒ Check the rings of the packing as well as all plastic and graphite parts for damage and, in the case of doubt, replace them.
- ⇒ Assemble the ball valve as described in Chapter "3.5 Assembly of the metering ball valve. Note the respective design of the ball valve.

12.2 Replacing the seal ring and the ball

If there is a leak in the passage, the seat rings (6 and 7) and the ball (3) can be defective.

- ⇒ Check the condition of the seat rings and the ball.

Disassemble the ball valve to remove the seal ring and ball of the ball valve. For this purpose, observe Chapter "1 Safety instructions and safety measures".

- ⇒ Place the ball valve on an even and clean work surface so that the packing space is easy to reach.
- ⇒ Loosen the screws (15) and carefully remove stuffing box flange (5).
- ⇒ Remove the disc springs from the disc spring set (11).
- ⇒ Remove the V-ring packing (10).
- ⇒ Place the ball valve with the flange on the body side (1) facing downwards on an even and clean work surface, so that the body connection screws (16) are easy to access.
- ⇒ Depending on the version, loosen screws (16) or nuts (17).
- ⇒ Carefully remove the side body (2).
- ⇒ Remove the Disc spring (12).
- ⇒ Check the seat ring (7), ball (3) and seat ring (6) as well as all plastic and graphite parts for damage, in the case of doubt, replace them.
- ⇒ Assemble the ball valve as described in Chapter "3.5 Assembly of the ball valve. Note the respective design of the ball valve.

12.3 Additional repairs

- ⇒ In the case of additional major damage, it is recommended to have repairs performed by PFEIFFER.

12.4 Additional repairs

- ⇒ In the case of additional major damage, it is recommended to have repairs performed by PFEIFFER.

12.5 Sending devices to PFEIFFER

Defective ball valves can be sent to PFEIFFER for repair.

Proceed as follows to send devices:

WARNING

Danger due to a contaminated ball valve!

- ⇒ When returning a used valve to PFEIFFER for service, decontaminate the valve properly in advance.
- ⇒ When returning a used valve, include the safety data sheet for the medium as well as confirmation of decontamination of the valve. Otherwise the valve will not be accepted.

Tip

- PFEIFFER recommends documenting the following contamination data in the form ► FM 8.7-6 "Declaration regarding the contamination of PFEIFFER valves and components".
- This form is available at ► www.pfeiffer-armaturen.com.

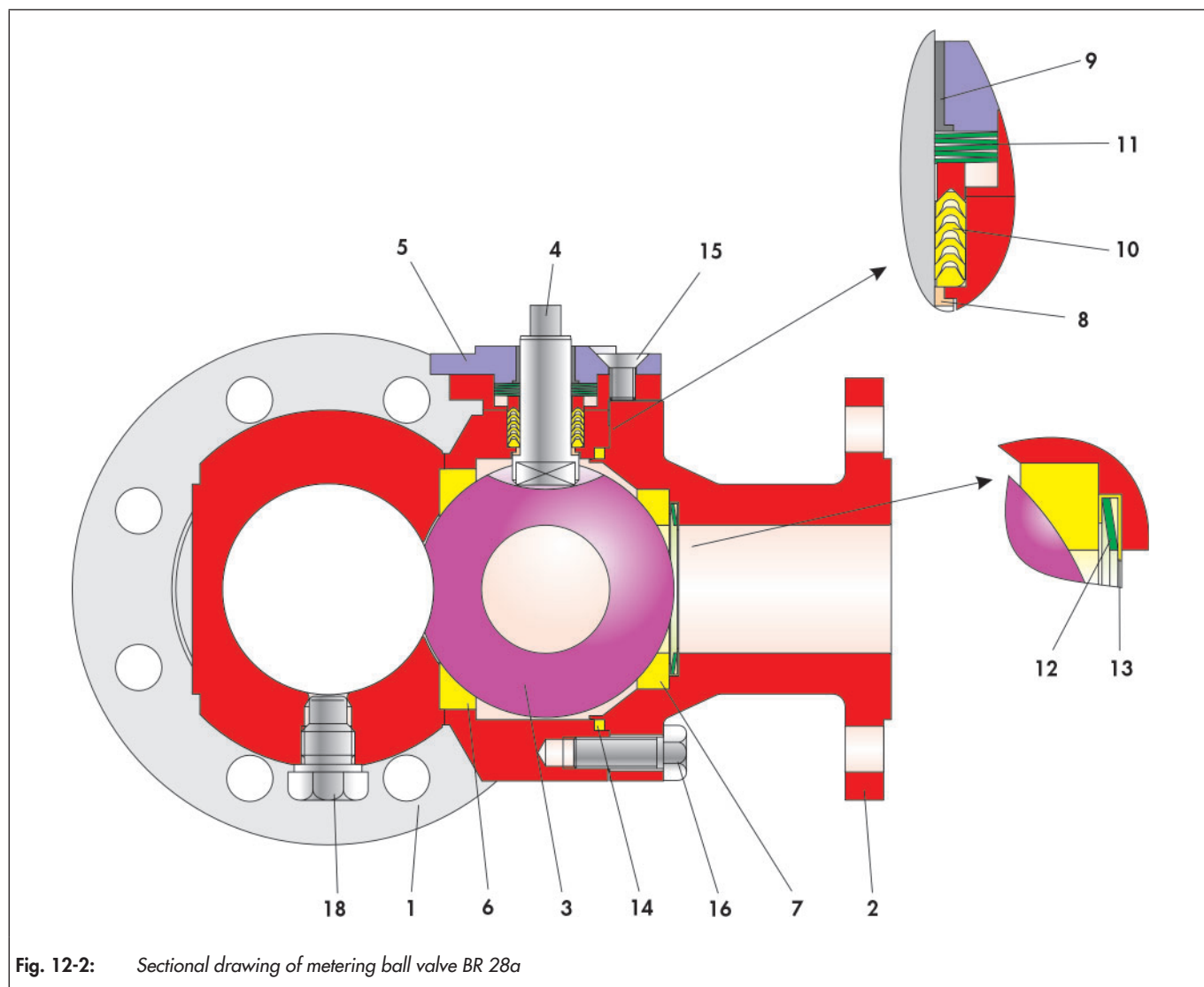


Fig. 12-2: Sectional drawing of metering ball valve BR 28a

Table 12-3: List of parts

Item	Description
1	Main body
2	Side body
3	Ball
4	Control shaft
5	Stuffing box flange
6	Seat ring
7	Seat ring
8	Bearing bush
9	Bearing bush

Item	Description
10	V-ring packing
11	Disc spring set
12	Disc spring
13	Disc spring jacket
14	Sealing
15	Screw
16 ¹⁾	Screw / Stud bolt
17 ¹⁾	Nut
18	Screw plug

¹⁾ Depending on the nominal width, stud bolts can be fitted with nuts or screws.

- ⇒ Include the following information for returns:
- Manufacturer number
 - Metering ball valve type
 - Article number
 - Nominal size and version of the control valve
 - Manual valve/automated valve
 - Medium (designation and consistency)
 - Medium pressure and temperature
 - Flow rate in m³/h
 - Bench range of the actuator
 - Number of actuations (year, month, week or day)
 - Installation drawing if available
 - Completed declaration regarding contamination.

13 Disposal

- ⇒ For disposal, observe the local, national and international regulations.
- ⇒ Do not dispose of old components, lubricant and hazardous materials with domestic waste.

14 Certificates

The declaration of conformity is available on the following pages:

- Declaration of conformity according to Pressure Equipment Directive 2014/68/EU for automated valves, see page 14-2.
- Declaration of conformity according to Pressure Equipment Directive 2014/68/EU for manually operated valves, see page 14-3.
- Declaration of conformity for completed machinery according to Machinery Directive 2006/42/EC for the metering ball valve BR 28a, see page 14-4.
- Declaration of conformity for partly completed machinery according to Machinery Directive 2006/42/EC for metering ball valve BR 28a, see page 14-5.

The printed certificates correspond to the status at the time of printing. Further optional certificates are available upon request.

DECLARATION OF CONFORMITY

As per Pressure Equipment Directive 2014/68/EU
TRANSLATION



The manufacturer	PFEIFFER Chemie-Armaturenbau GmbH , D47906 Kempen, Germany
declares that:	Type 28a Metering valve (BR 28a), with packing <ul style="list-style-type: none"> • with pneumatic/electric/hydraulic actuator • with free shaft end for subsequent mounting of an actuator
<p>1. The valves are pressure accessories within the meaning of the Pressure Equipment Directive 2014/68/EU and conform with the requirements of this Directive.</p> <p>2. They may only be operated observing the Mounting and operating instructions ► EB 28a.</p> <p>The commissioning of these valves is only permitted after the valve has been installed from all sides in the pipeline and a risk of injury can be ruled out.</p> <p><i>(See ► EB 28a, Chapter 1 for metering valves intended for dead-end service)</i></p>	

Applied standards

AD 2000 Regulations	Regulations for pressurized valve body parts
----------------------------	--

Type designation and technical features:

PFEIFFER data sheet ► TB 28a NOTE: This Manufacturer's Declaration applies to all valve types listed in this catalog.
--

Applied conformity assessment procedure:

Conforming to Annex III of the Pressure Equipment Directive 2014/68/EU, Module H

Name of notified body:

Identification number of the notified body:

TÜV Anlagentechnik GmbH Am Grauen Stein 51101 Köln Germany	0035
--	------

These Declarations become invalid when modifications are made to the metering valves and/or assemblies that affect the technical data of the metering valve or the <Intended use> described in ► EB 28a, section 1 of the Mounting and operating instructions and considerably change the valve or an assembly delivered with it.

Kempen, 9. April 2023



Stefan Czayka
 Head of Quality Management/IMS Representative

DECLARATION OF CONFORMITY

As per Pressure Equipment Directive 2014/68/EU
TRANSLATION



The manufacturer	PFEIFFER Chemie-Armaturenbau GmbH , D47906 Kempen, Germany
declares that:	Type 28a Metering valve (BR 28a), with packing <ul style="list-style-type: none"> • with lever for 90° operation • with worm gear and handwheel
<p>1. The valves are pressure accessories within the meaning of the Pressure Equipment Directive 2014/68/EU and conform with the requirements of this Directive.</p> <p>2. They may only be operated observing the Mounting and operating instructions ► EB 28a. (See ► EB 28a, Chapter 1 for metering valves intended for dead-end service)</p>	

Applied standards

AD 2000 Regulations	Regulations for pressurized valve body parts
----------------------------	--

Type designation and technical features:

PFEIFFER data sheet ► TB 28a

NOTE: This Manufacturer's Declaration applies to all valve types listed in this catalog.

Applied conformity assessment procedure:

Conforming to Annex III of the Pressure Equipment Directive 2014/68/EU, Module H

Name of notified body:

Identification number of the notified body:

TÜV Anlagentechnik GmbH Am Grauen Stein 51101 Köln Germany	0035
--	------

These Declarations become invalid when modifications are made to the metering valves and/or assemblies that affect the technical data of the metering valve or the <Intended use> described in ► EB 28a, section 1 of the Mounting and operating instructions and considerably change the valve or an assembly delivered with it.

Kempen, 9. April 2023



 Stefan Czayka
 Head of Quality Management/IMS Representative

EU DECLARATION OF CONFORMITY

TRANSLATION



The manufacturer	PFEIFFER Chemie-Armaturenbau GmbH , 47906 Kempen, Germany
declares for the listed products that:	<p>Type 28a Metering ball valve (BR 28a)</p> <ul style="list-style-type: none"> • with a Type 31a Quarter-turn Actuator (BR 31a) • with a rotary actuator of a different make <p>Prerequisite: the unit was sized and assembled by PFEIFFER Chemie-Armaturenbau GmbH. The serial number on the valve refers to the entire unit.</p>
<p>1. It complies with all applicable requirements stipulated in Machinery Directive 2006/42/EC.</p> <p>2. In the delivered state, the valve with actuator is considered to be final machinery as defined in the above-mentioned directive.</p> <p>The start-up of these units is only permitted after the valve has been installed from both sides in the pipeline and a risk of injury can be ruled out as a result.</p>	

Referenced standards:

- a) VCI, VDMA, VGB: "Leitfaden Maschinenrichtlinie (2006/42/EG) – Bedeutung für Armaturen, Mai 2018" [German only]
- b) VCI, VDMA, VGB: "Zusatzdokument zum Leitfaden Maschinenrichtlinie (2006/42/EG) – Bedeutung für Armaturen vom Mai 2018" [German only], based on DIN EN ISO 12100:2011-03

Product description and technical features:

Stainless steel - valve consisting of a piggable T-piece with integrated metering ball valve with a recessed ball, automated with a single or double-acting piston actuator for butterfly valves, ball valves and other valves with rotating throttle bodies.

For product descriptions refer to:
 PFEIFFER data sheet for Type 28a Ball valve ▶ TB 28a
 PFEIFFER data sheet for Type 31a Actuator ▶ TB 31a
 PFEIFFER mounting and operating instructions for Type 28a Valve ▶ EB 28a
 PFEIFFER mounting and operating instructions for Type 31a Actuator ▶ EB 31a

Valve accessories (e.g. positioners, limit switches, solenoid valves, lock-up valves, supply pressure regulators, volume boosters and quick exhaust valves) are classified as machinery components and do not fall within the scope of the Machinery Directive as specified in § 35 and § 46 of the Guide to Application of the Machinery Directive 2006/42/EC issued by the European Commission.

This declaration becomes invalid when modifications are made to the metering ball valves and/or assemblies that affect the technical data of the ball valve or the intended use (▶ EB 28a, section 1) and considerably change the valve or an assembly delivered with it.

Persons authorized to compile the technical file:

Kempen, 10 April 2023



Stefan Czayka
 Head of Quality Management/IMS Representative

DECLARATION OF CONFORMITY

TRANSLATION



The manufacturer	PFEIFFER Chemie-Armaturenbau GmbH , 47906 Kempen, Germany
declares for the listed products that:	Type 28a Metering ball valve (BR 28a) <ul style="list-style-type: none"> • with free shaft end
<p>1. In the delivered state, the valve prepared for mounting on a rotary actuator (not a clearly defined actuator system) is considered to be partly completed machinery as defined in the Machinery Directive 2006/42/EC. Machinery is considered to be partly completed machinery when the machinery manufacturer has not determined all required specifications such as model type, thrusts, torques etc.</p> <p>The start-up of these units is only permitted after the valve has been installed from both sides in the pipeline and a risk of injury can be ruled out as a result.</p>	

Referenced standards:

- a) VCI, VDMA, VGB: "Leitfaden Maschinenrichtlinie (2006/42/EG) – Bedeutung für Armaturen, Mai 2018" [German only]
- b) VCI, VDMA, VGB: "Zusatzdokument zum Leitfaden Maschinenrichtlinie (2006/42/EG) – Bedeutung für Armaturen vom Mai 2018" [German only], based on DIN EN ISO 12100:2011-03

Product description and technical features:

Stainless steel - valve consisting of a piggable T-piece with integrated metering ball valve with a recessed ball.

For product descriptions refer to:

PFEIFFER data sheet for Type 28a Ball valve ► TB 28a

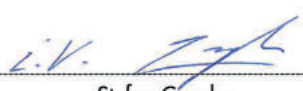
PFEIFFER mounting and operating instructions for Type 28a Ball valve ► EB 28a

Valve accessories (e.g. positioners, limit switches, solenoid valves, lock-up valves, supply pressure regulators, volume boosters and quick exhaust valves) are classified as machinery components and do not fall within the scope of the Machinery Directive as specified in § 35 and § 46 of the Guide to Application of the Machinery Directive 2006/42/EC issued by the European Commission.

This declaration becomes invalid when modifications are made to the metering ball valves and/or assemblies that affect the technical data of the ball valve or the intended use (► EB 28a, section 1) and considerably change the valve or an assembly delivered with it.

Persons authorized to compile the technical file:

Kempen, 10 April 2023


Stefan Czayka

Head of Quality Management/IMS Representative

15 Annex

15.1 Tightening torques, lubricant and tools

15.1.1 Tightening torques

i Info

¹⁾ The tightening torques stated in the tables can only be understood as very rough and non-binding guide values and refer to a coefficient of friction of 0.2 μ . Lubricating the threads leads to indeterminate tightening conditions.

15.1.1.1 Body sections

For the connection of the body sections, the screw connections are tightened in a criss-cross pattern with the tightening torques indicated below.

Table 15-1: Body section tightening torques

Nominal size		Qty.	Thread (16)	Tightening torque ¹⁾
DN	NPS			
50	2	4	M10	44 Nm
80	3	4	M16	183 Nm
100	4	4	M16	183 Nm
125	5	4	M20	370 Nm
150	6	4	M20	370 Nm
200	8	On request		

15.1.1.2 Stuffing box flange

For the assembly of the stuffing box flange, the screw connections are tightened in a criss-cross pattern with the tightening torques indicated below.

Table 15-2: Stuffing box flange tightening torques

Nominal size		Qty.	Thread (15)	Tightening torque ^{1) 2)}
DN	NPS			
50	2	4	M8	21.5 Nm
80	3	4	M8	21.5 Nm
100	4	4	M8	21.5 Nm
125	5	4	M10	44 Nm
150	6	4	M10	44 Nm
200	8	On request		

²⁾ Tighten the stuffing box flange screws until the bushing lies on the dome.

15.1.1.3 Flange connection

i Info

Required tightening torques for assembly for flanges according to DIN EN 1092-1 type 11 and connecting elements (e.g. screws, threaded pins) made of 25CrMo4 / A4-70 or a comparable strength.

The values are taken from the "Guidelines for assembly of flange connections in processing plants" of the VCI (Verband der Chemischen Industrie e.V.).

Table 15-3: Flange connection torque

DN	PN	Thread	Tightening torques [Nm] for sealing units ³⁾		Tightening method ⁶⁾
			A	B	
50	10 ... 40	M16	125 ⁴⁾	80	I
80	10 ... 40	M16			
100	10 ... 16	M16	240 ⁵⁾	150	
	25 ... 40	M20			
125	10 ... 16	M16	125 ⁴⁾	80	II
	25 ... 40	M24	340	200	
150	10 ... 16	M20	240 ⁵⁾	150	I
	25 ... 40	M24	340	200	II
200	10 ... 16	M20	240 ⁵⁾	150	I
	25	M24	340	200	II
	40	M27	500	250	

³⁾ These tightening torques were calculated by the company BASF SE and confirmed by partner companies.

⁴⁾ Recommended lever length 300 mm.

⁵⁾ Recommended lever length 550 mm.

⁶⁾ I) With manually-operated spanner with a suitable extension if necessary.

II) With a torque wrench or other torque-controlled procedure.

Table 15-4: Sealing unit A

Seal	Nominal pressure	Description
Flat seal	PN 10 to PN 25	Without inner eyelet
	PN 40	With inner eyelet

Shaft ring seals PN 40 are covered by this.

Flat seals with inner eyelet for PN 10 - 25 are already covered, providing that the required characteristic values are complied with..

Table 15-5: Sealing unit B

Seal	Nominal pressure	Description
Seal for tongue and groove flanges	PN 10 to PN 40	- With fibre gaskets and metal-reinforced graphite gaskets
Grooved gasket		-
Spiral gasket with graphite		-

15.1.2 Lubricant

Table 15-6: *Recommended lubricant*

Use	Temperature range	Lubricant
Screws and nuts	-10 ... +200°C	Heavy-duty grease paste (e.g. Gleitmo 805, manufacturer Fuchs) Not suitable for grease-free ball valves or for use with oxygen
Screws and nuts	High temperature	Heavy-duty grease paste Molykote 1000

15.1.3 Tools

Suitable tools are required to work on the ball valve. Unsuitable tools can damage the ball valve.

15.2 Spare parts

PFEIFFER recommends spare part sets for "Commissioning" and for "2-year operation", see Chapter:

- „15.2.1 Spare parts of the metering ball valve on Side 15-3

15.2.1 Spare parts of the metering ball valve

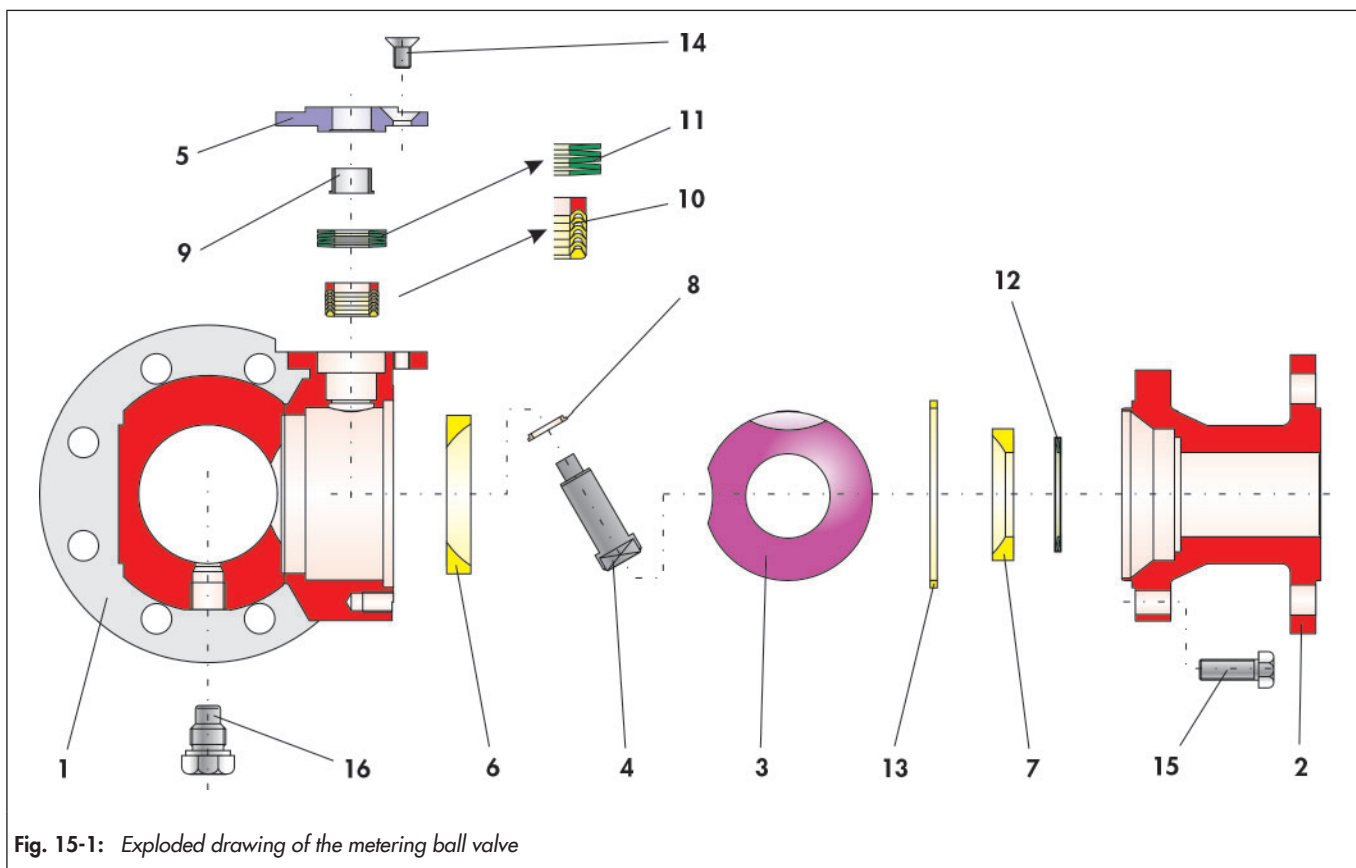


Table 15-7: Recommend spare parts for the metering ball valve

Item	Description	Material		Spare parts set	
		DIN	ANSI	Commissioning	2-year operation
1	Main body	1.4571 • 1.4408	A182 F316 • A351 CF8M		
2	Side body	1.4571 • 1.4408	A182 F316 • A351 CF8M		
3	Ball	1.4408 • 1.4571	A182 F316 • A351 CF8M		•
4	Control shaft	1.4462	ASTM A182 Gr. F51		•
5	Stuffing box flange	1.4571 • 1.4408			
6	Seat ring	PTFE		•	•
7	Seat ring	PTFE		•	•
8	Bearing bush	PTFE with carbon		•	•
9	Bearing bush	PTFE with glass		•	•
10	V-ring packing	PTFE / 1.4305		•	•
11	Disc spring set	1.8159 Deltatone		•	•
12	Disc spring	1.4404		•	•
13	Disc spring jacket	PTFE		•	•
14	Sealing	PTFE		•	•
15	Screw	A4-70			
16	Screw / Stub bolt	A4-70			
17	Nut	A4-70			
18	Screw plug	1.4571		•	•

¹⁾ Depending on the nominal width, stud bolts can be fitted with nuts or screws.

15.3 Service

For maintenance and repair work as well as malfunctions or defects, contact the After Sales Service at PFEIFFER for support.

E-mail

The After Sales Service can be reached at the e-mail address "sales-pfeiffer-de@samsongroup.com".

Necessary data

Provide the following information in the case of questions and for troubleshooting:

- Manufacturer number
- Metering ball valve type
- Article number
- Nominal size and version of the metering ball valve
- Manual valve/automated valve
- Medium (designation and consistency)
- Medium pressure and temperature
- Flow rate in m³/h
- Actuator signal pressure
- Number of actuations (year, month, week or day)
- Installation drawing if available
- Completed declaration regarding contamination. This form is available at ► www.pfeiffer-armaturen.com.

Further information

The indicated <data sheets> and further information are available, also in English, at the following address:

PFEIFFER Chemie-Armaturenbau GmbH

Hooghe Weg 41 • 47906 Kempen • Germany

Phone: +49 2152 2005 0 • Fax +49 2152 1580

E-Mail: sales-pfeiffer-de@samsongroup.com

Internet: www.pfeiffer-armaturen.com



PFEIFFER Chemie-Armaturenbau GmbH

Hooghe Weg 41 · 47906 Kempen · Germany

Phone: +49 2152 2005-0 · Fax: +49 2152 1580

E-Mail: sales-pfeiffer-de@samsongroup.com · Internet: www.pfeiffer-armaturen.com